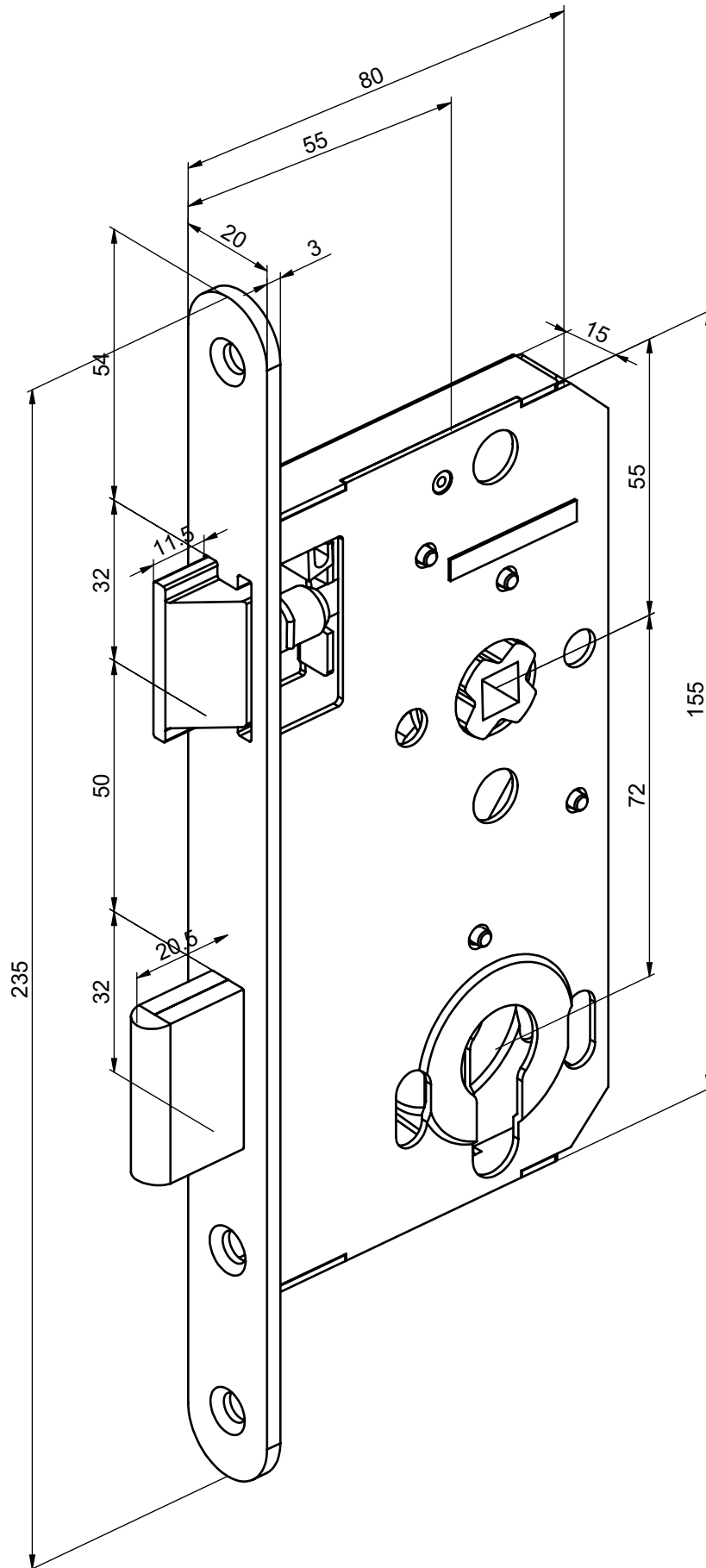


4292



Copyright © Abloy Oy Joensuu Factory 2014

| | | | | | |
|---------------------|---------|----------------------------------|-----------|---------|--------------------|
| Drawn by: erijou | Country | Drawing Number D000704888-900 | rev. 1 | ALT ID: | Date 23.11.2022 |
|---------------------|---------|----------------------------------|-----------|---------|--------------------|

An ASSA ABLOY Group brand **ASSA ABLOY**

Approved 2022-11-23