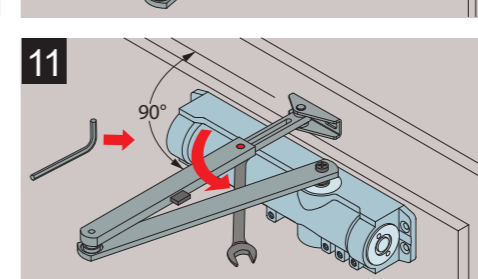
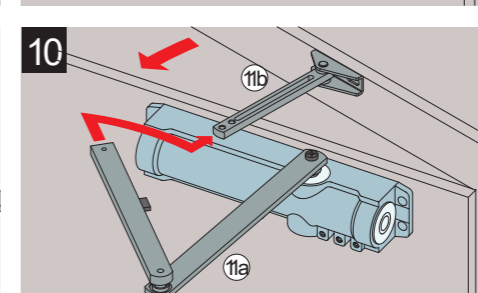
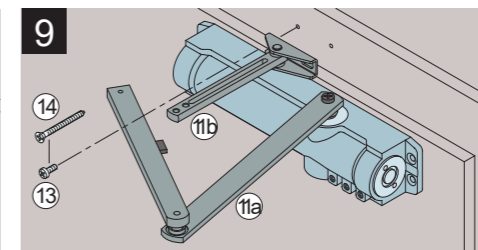
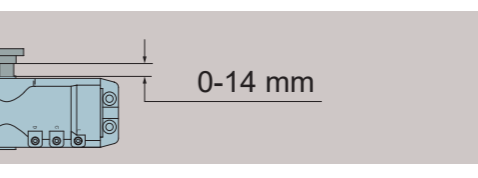
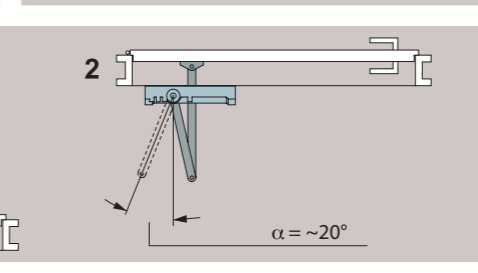
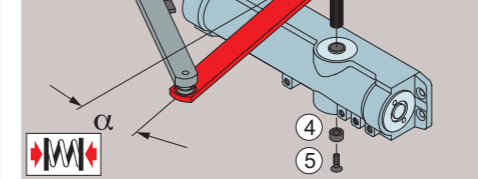
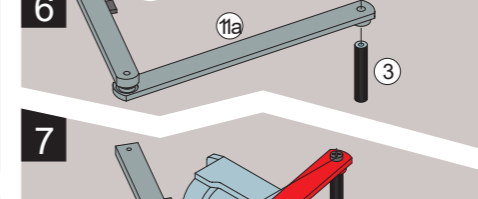
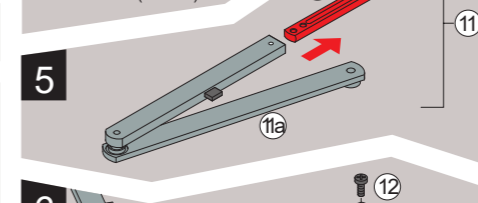
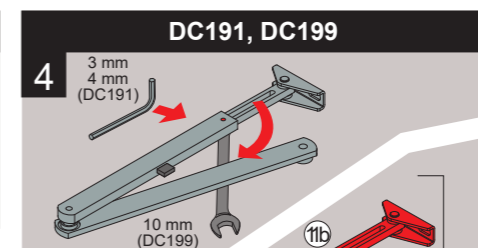
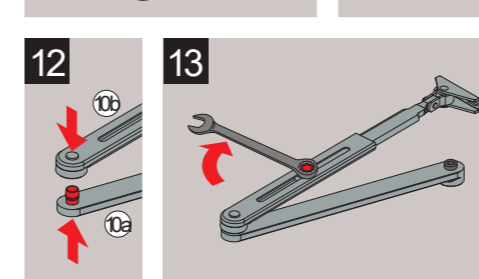
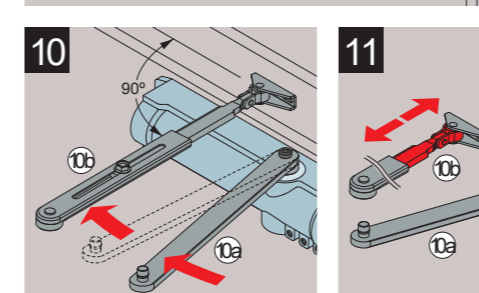
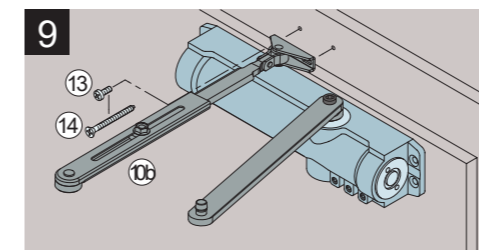
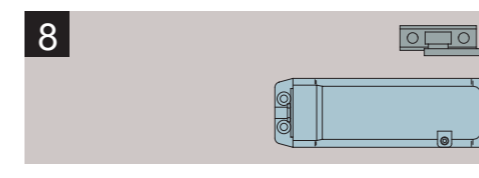
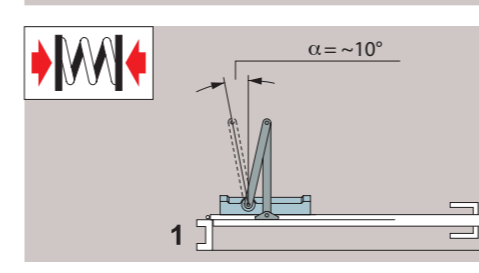
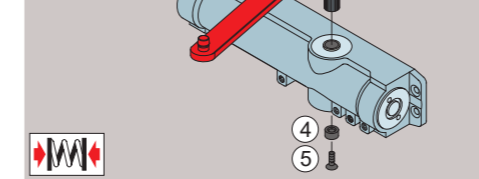
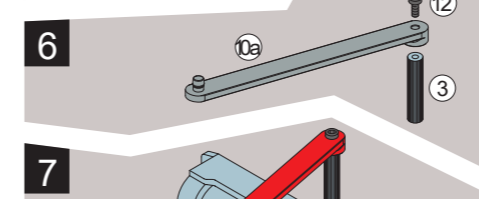
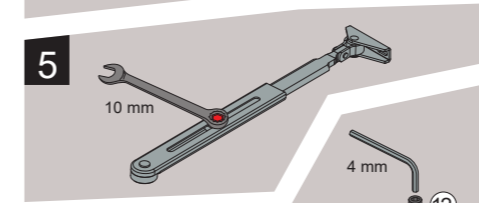
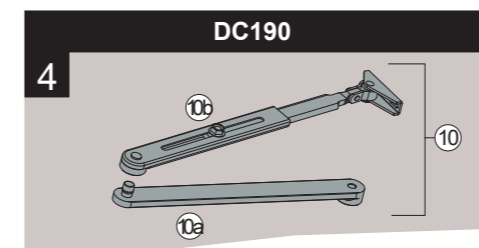
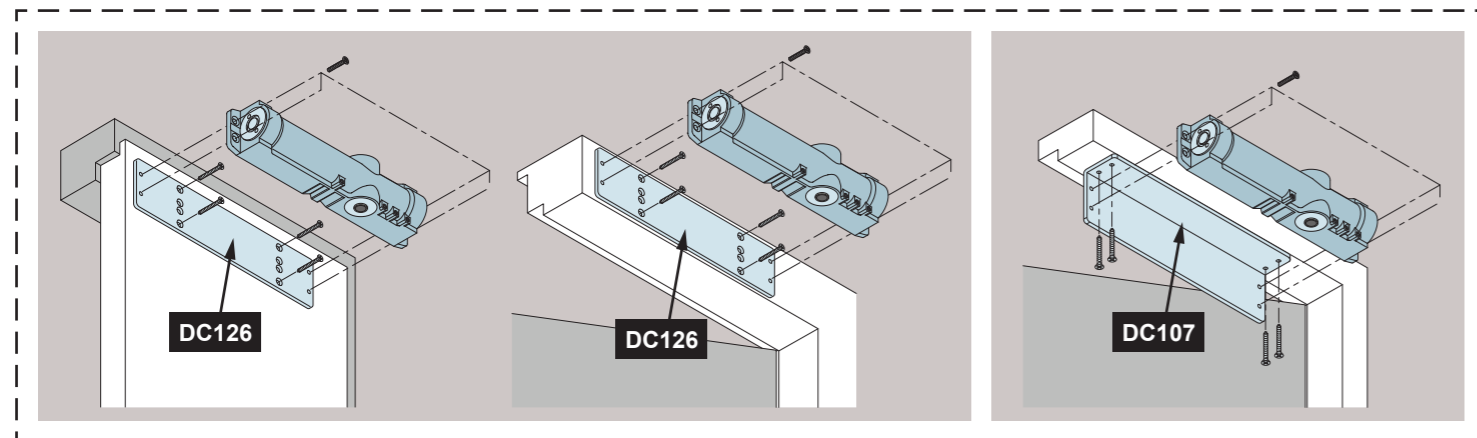
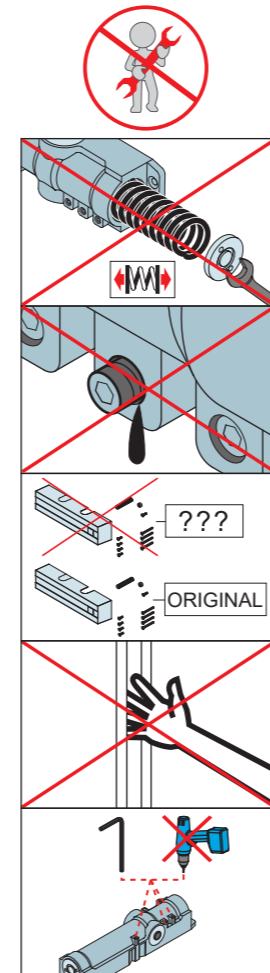
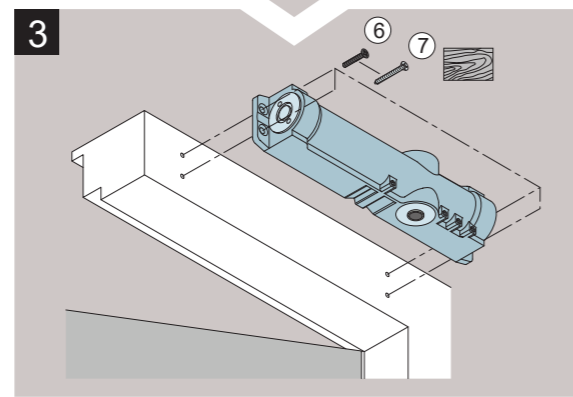
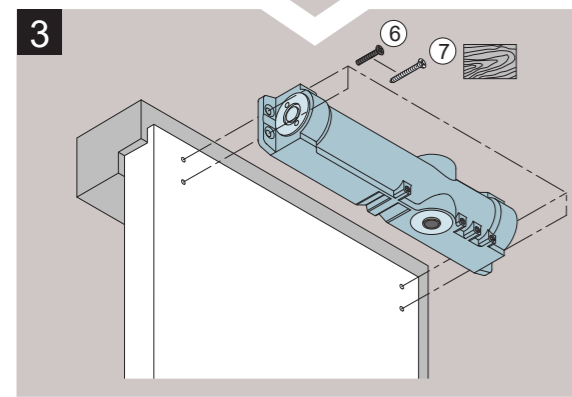
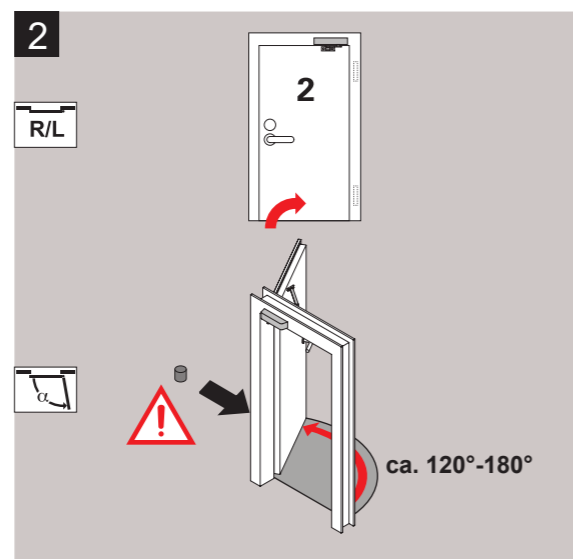
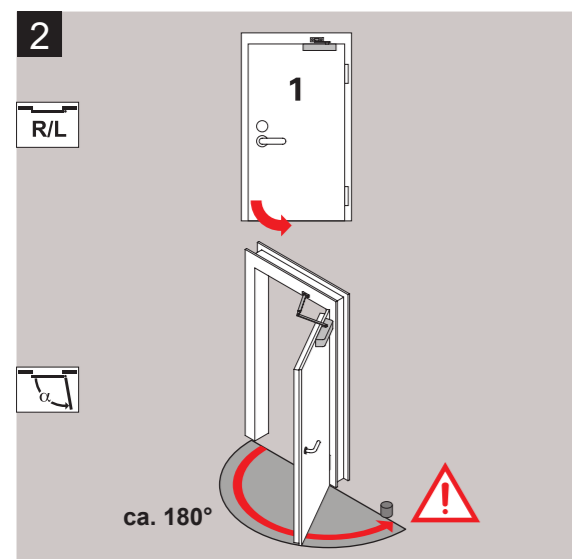
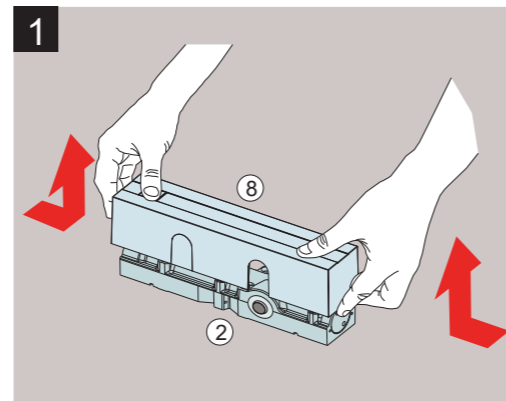
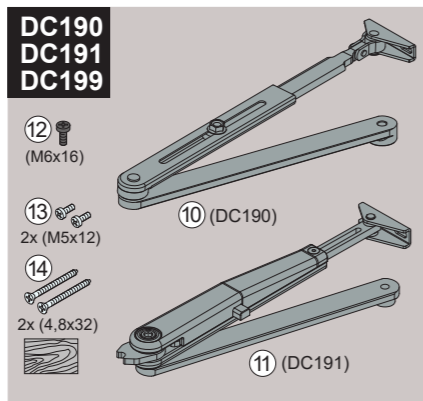
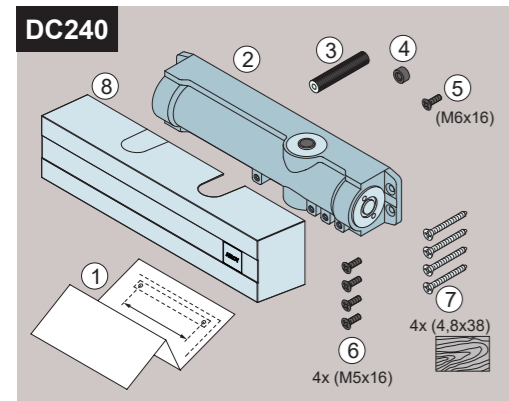


DC240/DC240DA

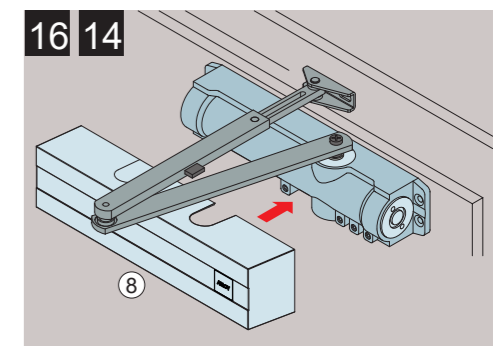
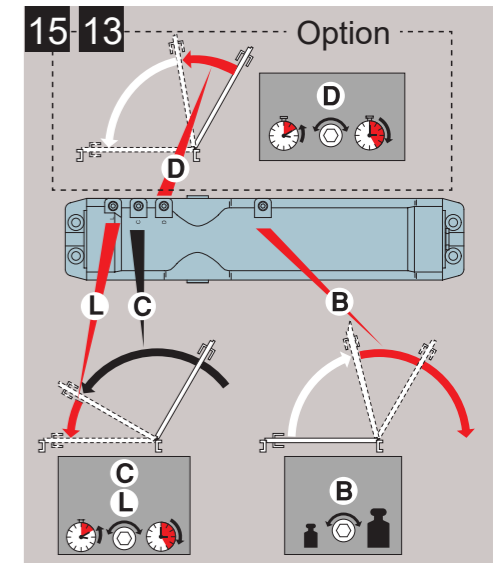
+ DC190 / DC199 / (DC191)

FP5300 +ARS190/ ARS191



min. EN3

EN	1	2	3	4	5	6
DC240	-	1	3	6	10	15



DC240 + DC190(DC199)

CE	Abloy Oy, PO Box 108 80101 Joensuu, Finland		15					
DC240	EN 1154:1996/A1:2002/AC:2006 0432-CPR-00008-03	4	8	6	2	1	1	3
Dangerous substances: None								

DC240DA + DC190(DC199)

CE	Abloy Oy, PO Box 108 80101 Joensuu, Finland		16					
DC240DA	EN 1154:1996/A1:2002/AC:2006 1121-CPR-AD5240	4	8	6	2	1	1	3
Dangerous substances: None								

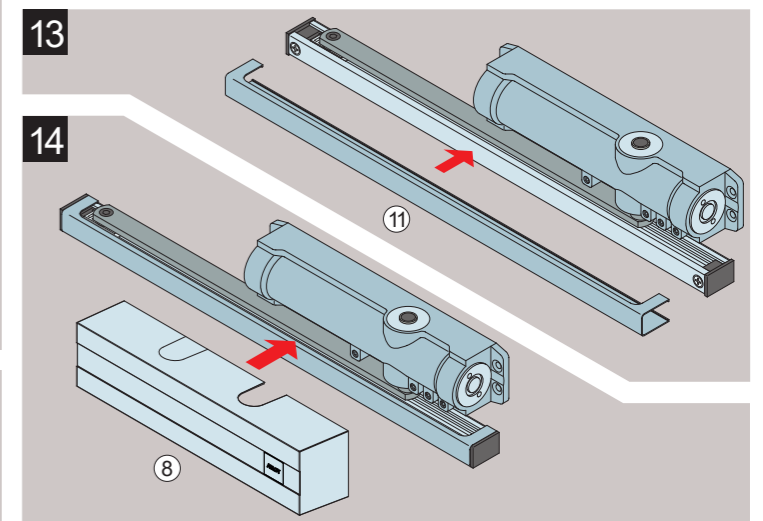
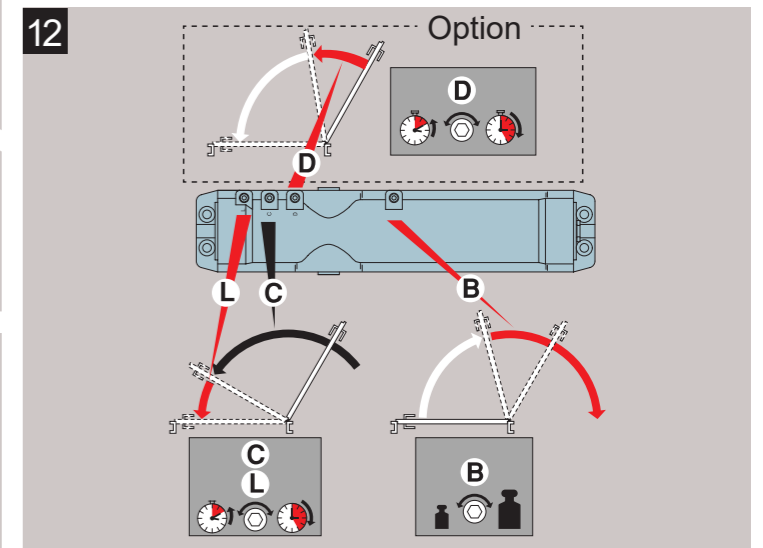
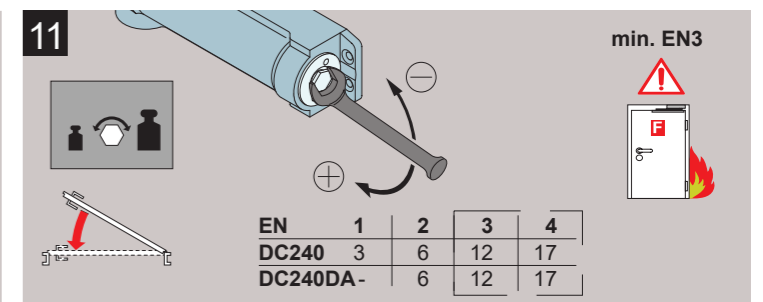
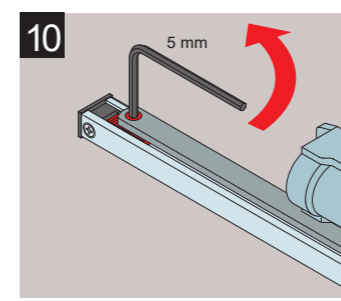
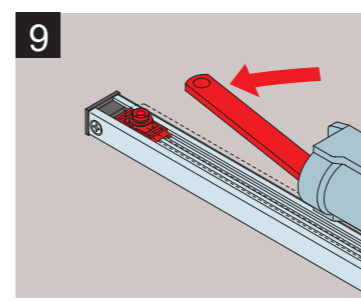
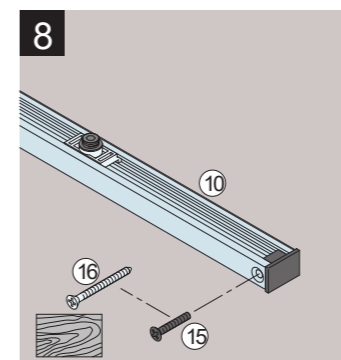
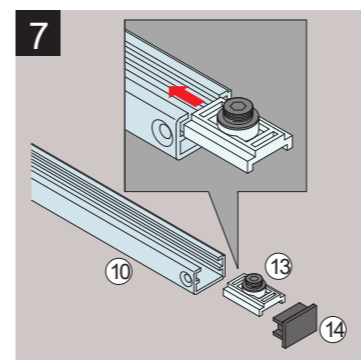
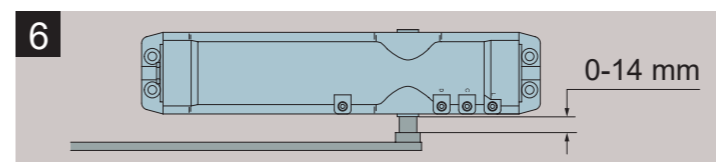
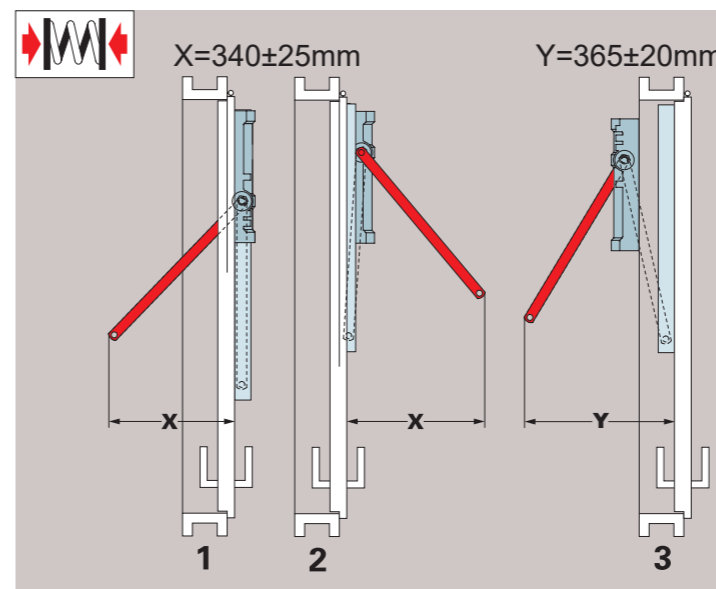
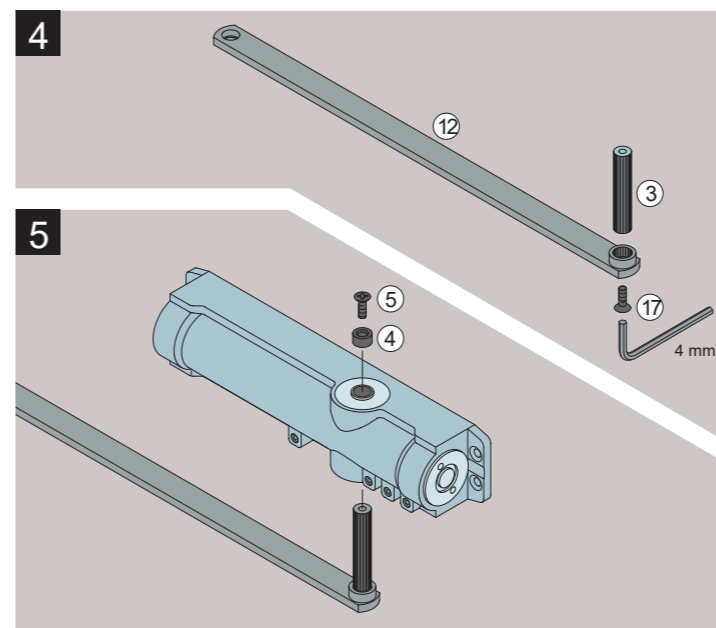
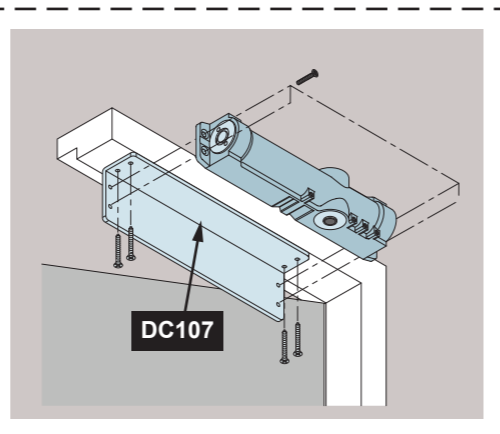
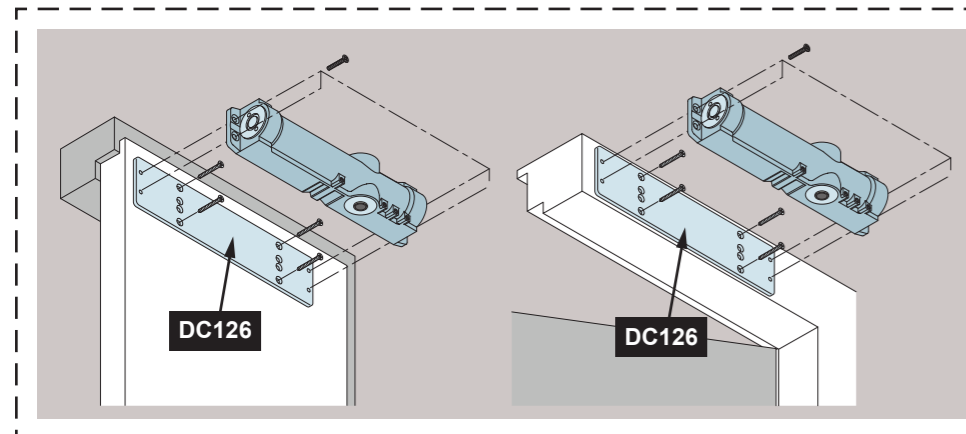
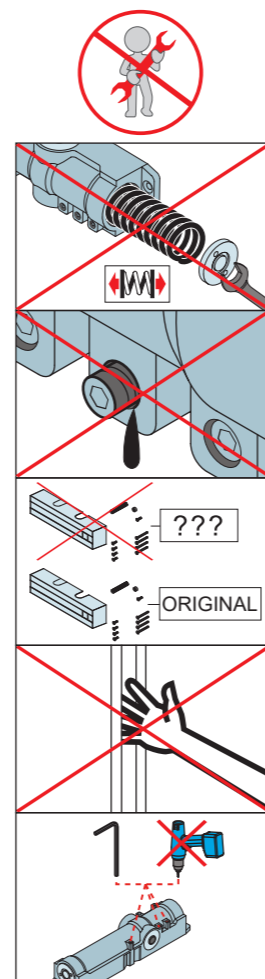
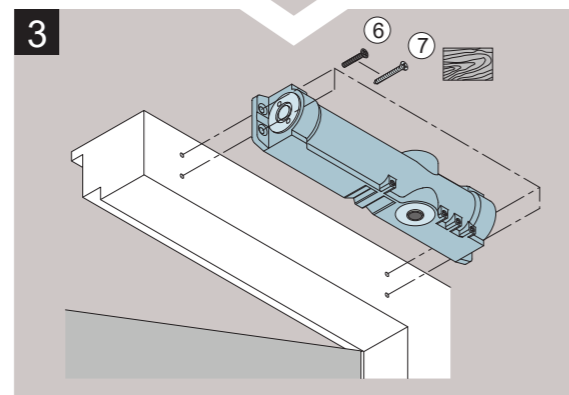
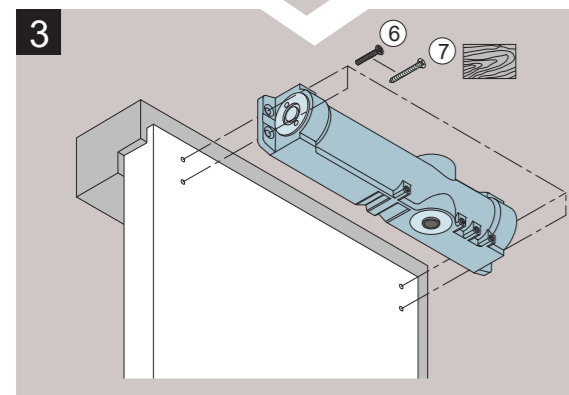
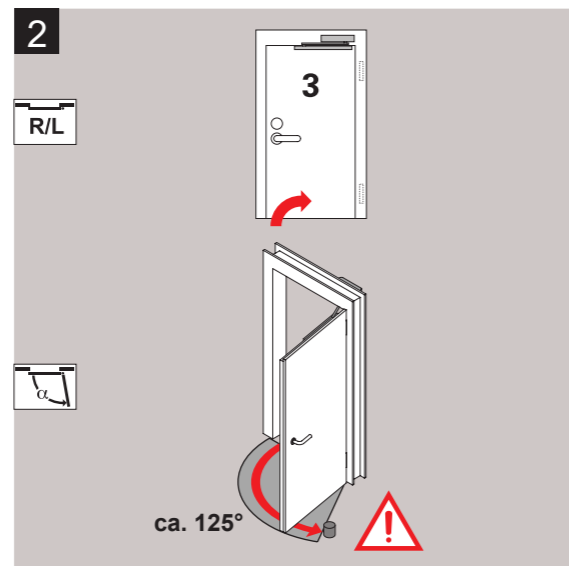
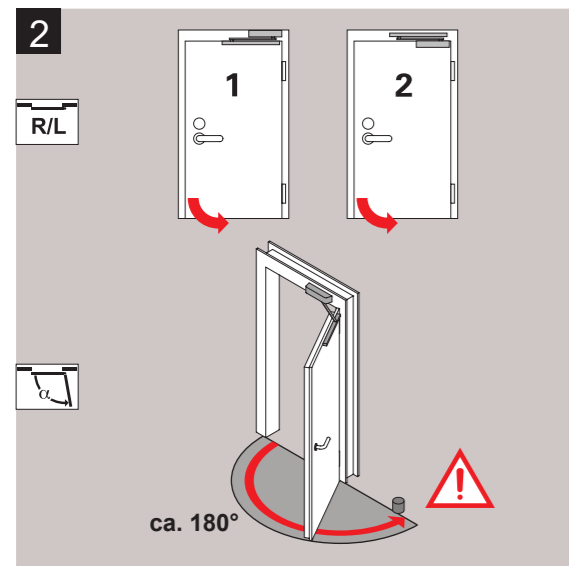
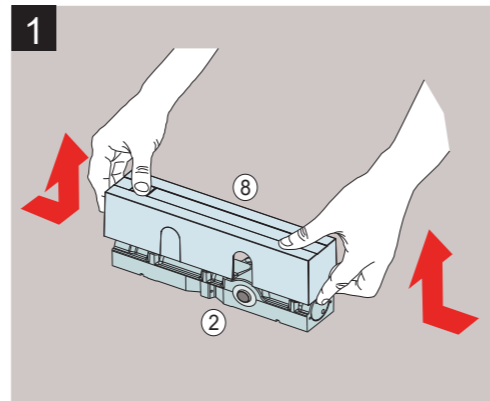
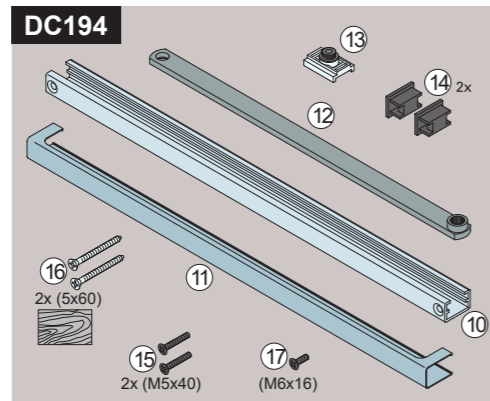
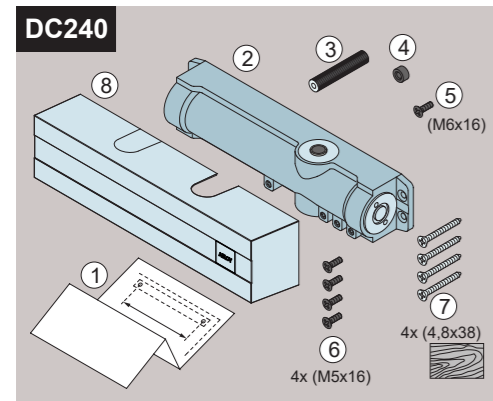
www.abloy.com/dop



DC240/DC240DA

+ DC194

FP5300 + ARG194



DC240 + DC194

CE	Abloy Oy, PO Box 108 80101 Joensuu, Finland	15
DC240	EN 1154:1996/A1:2002/AC:2006 0432-CPR-00008-03	4 8 4 1 1 3
Dangerous substances: None		

DC240DA + DC194

CE	Abloy Oy, PO Box 108 80101 Joensuu, Finland	16
DC240DA	EN 1154:1996/A1:2002/AC:2006 1121-CPR-AD5240	4 8 4 2 1 1 3
Dangerous substances: None		

DC240DA + DC194

CE	Abloy Oy, PO Box 108 80101 Joensuu, Finland	16
DC240DA	EN 1154:1996/A1:2002/AC:2006 1121-CPR-AD5240	3 8 4 2 1 1 3
Dangerous substances: None		

www.abloy.com/dop

An ASSA ABLOY Group brand

ASSA ABLOY