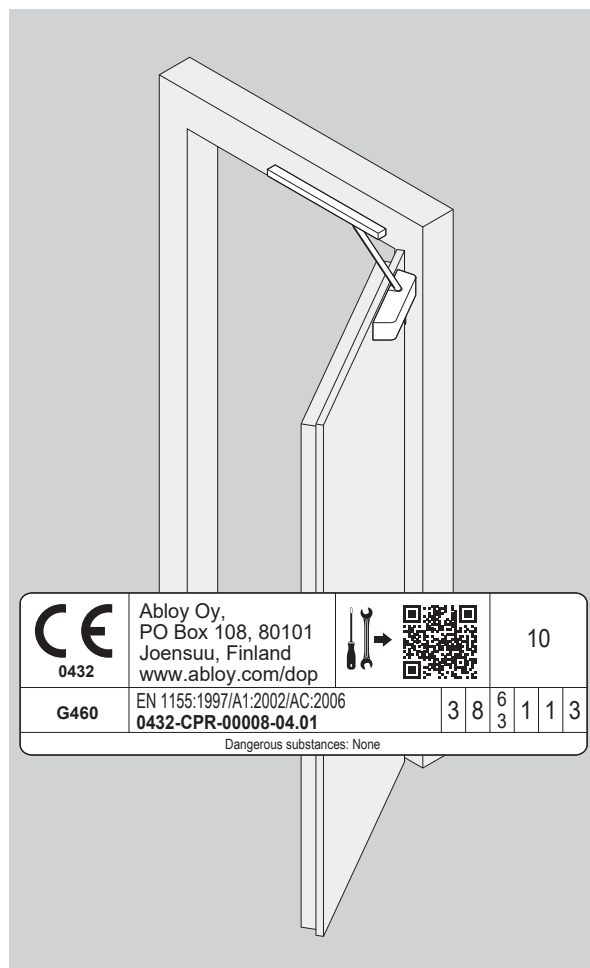
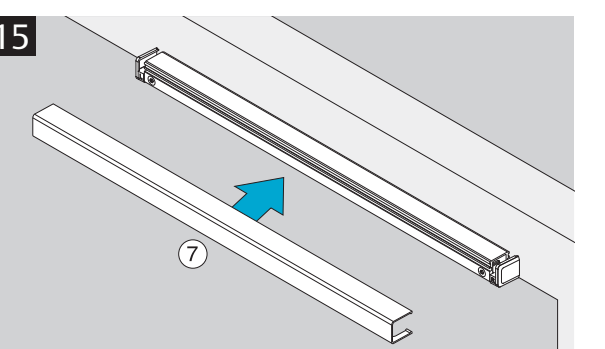
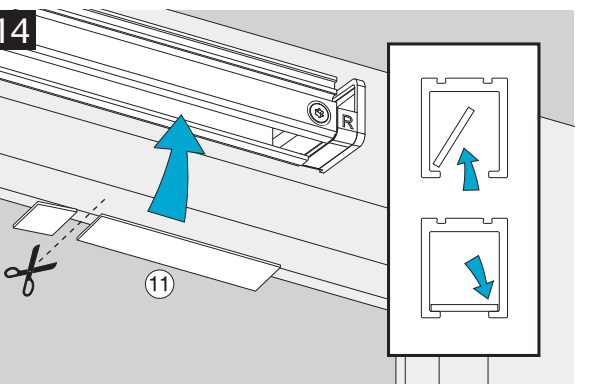
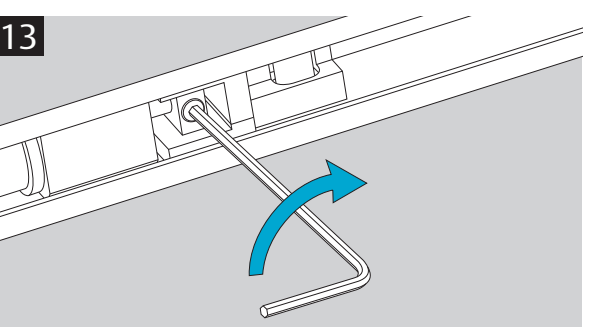
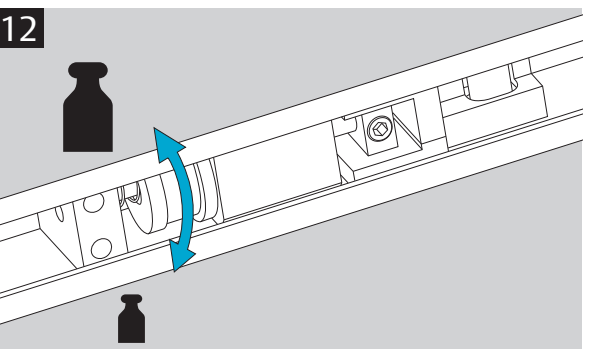
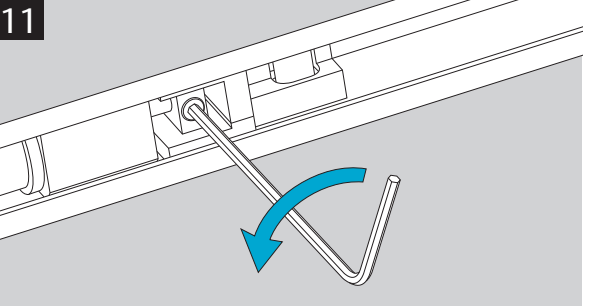
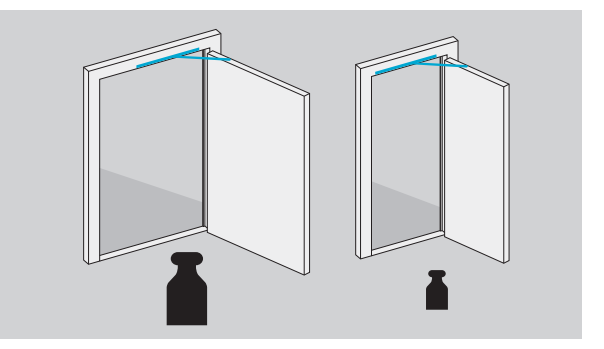
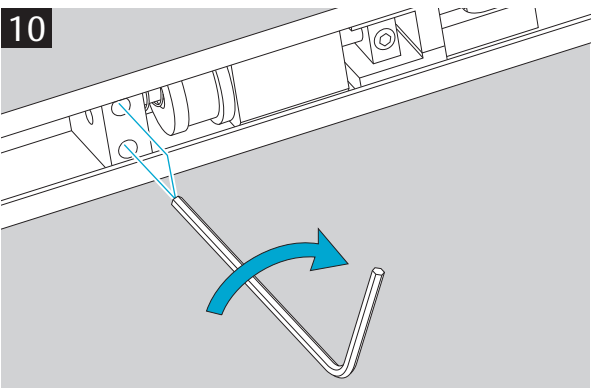
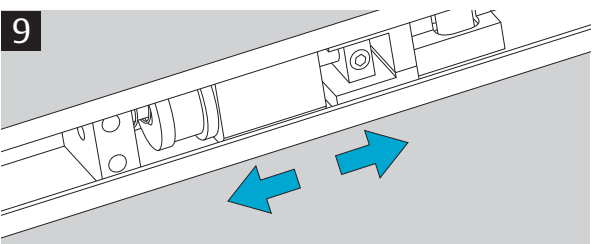
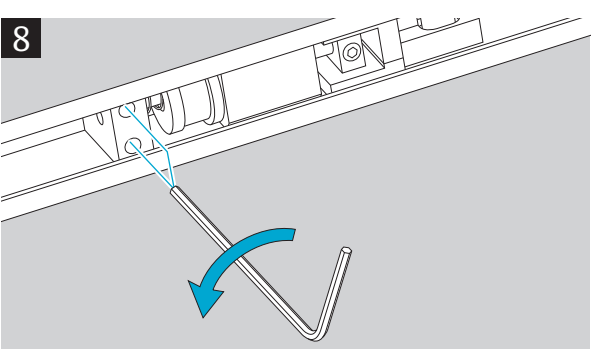
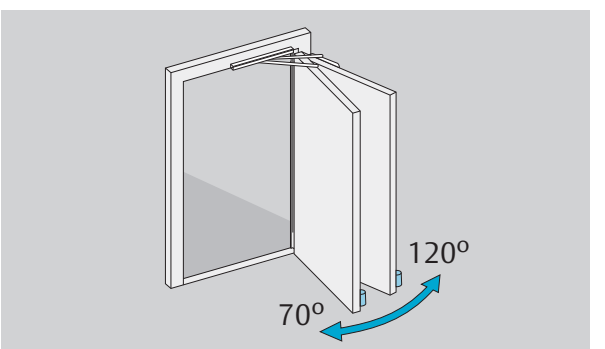
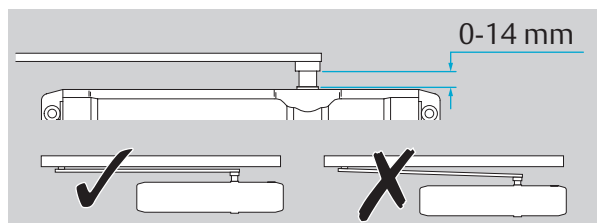
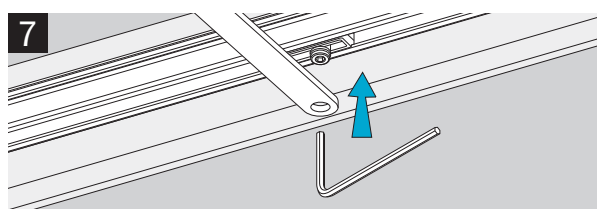
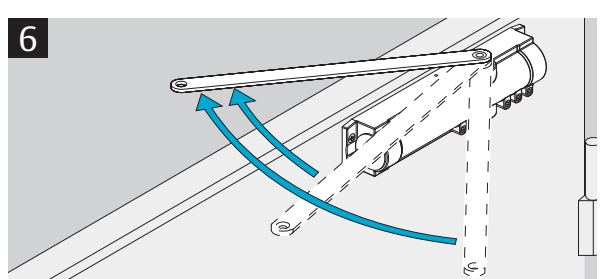
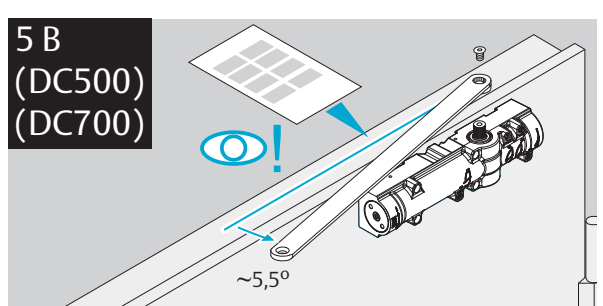
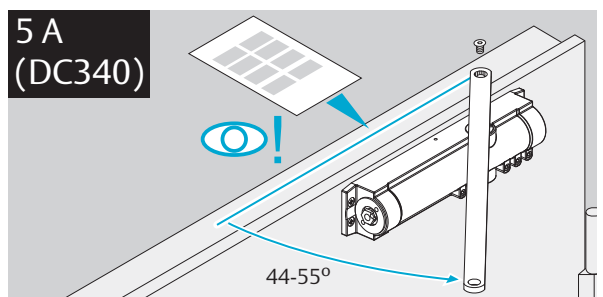
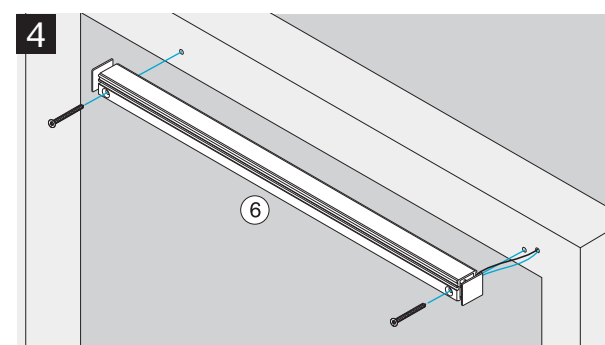
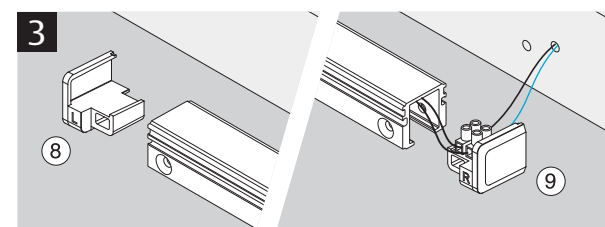
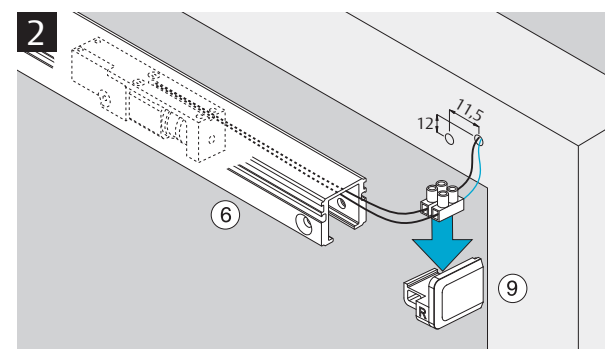
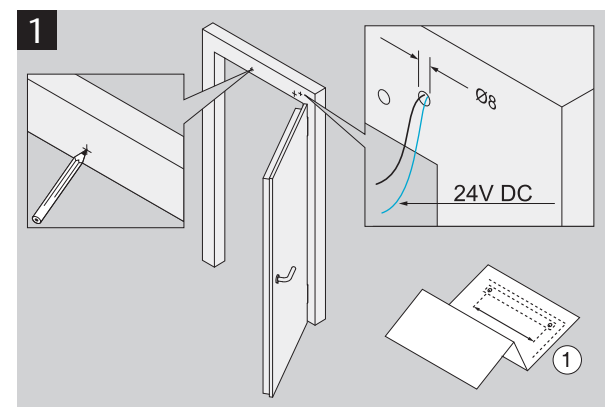
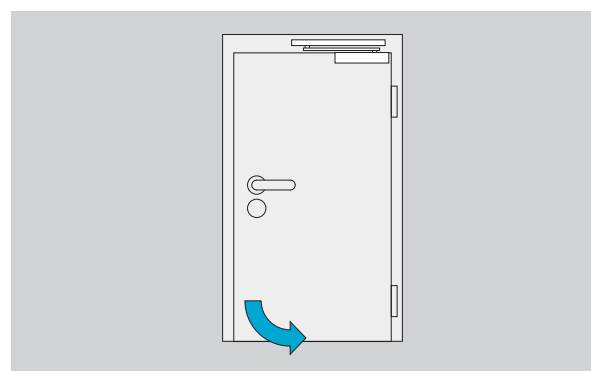
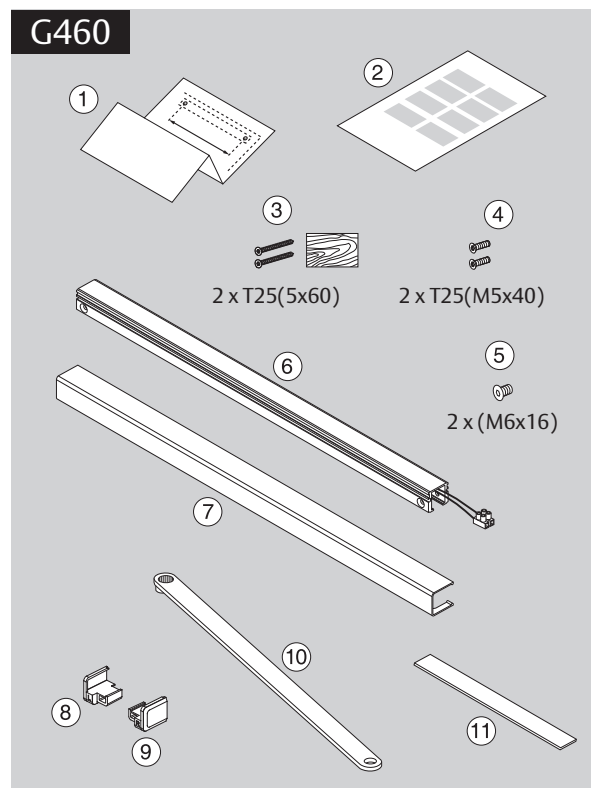


# G460 ASSA ABLOY Installation Instructions

6001017



CE	Abloy Oy, PO Box 108, 80101 Joensuu, Finland www.abloy.com/dop	10	3	8	6	3	1	1	3
	EN 1155:1997/A1:2002/AC:2006 0432-CPR-00008-04.01								
G460	Dangerous substances: None								



**ASSA ABLOY**

Abloy Oy  
P.O.Box 108  
80101 Joensuu  
FINLAND  
Tel.: +358-20 599 2501  
www.assaabloy.com  
www.abloy.com/dop

5.8.2024