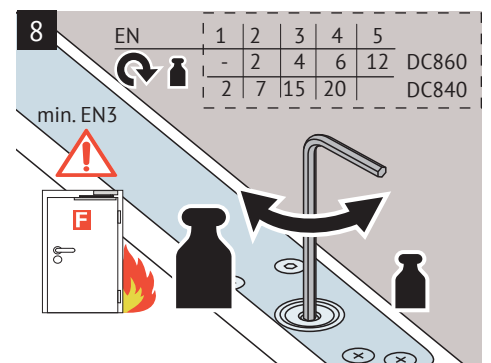
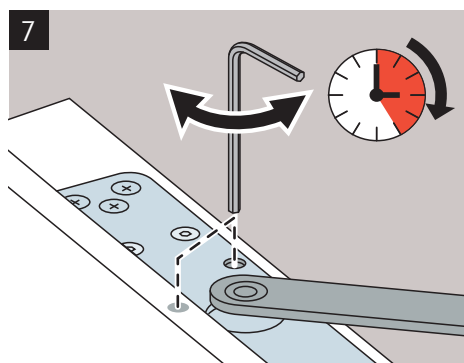
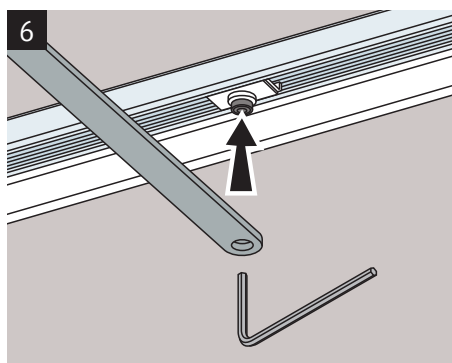
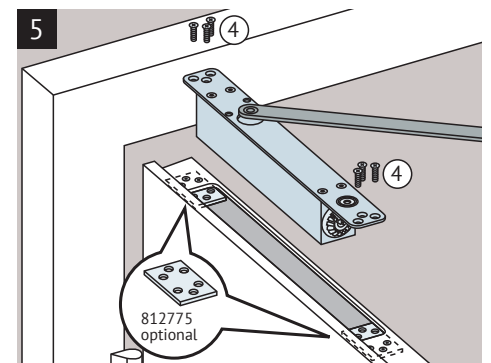
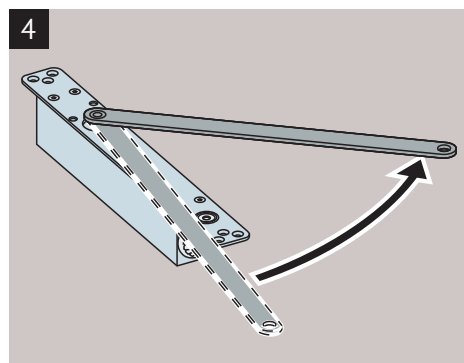
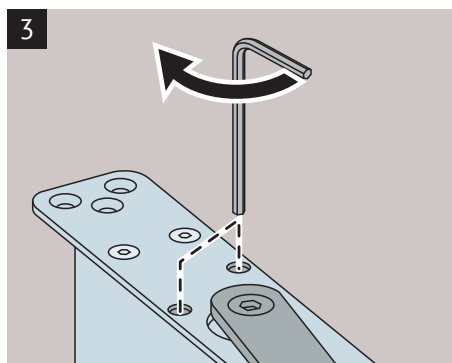
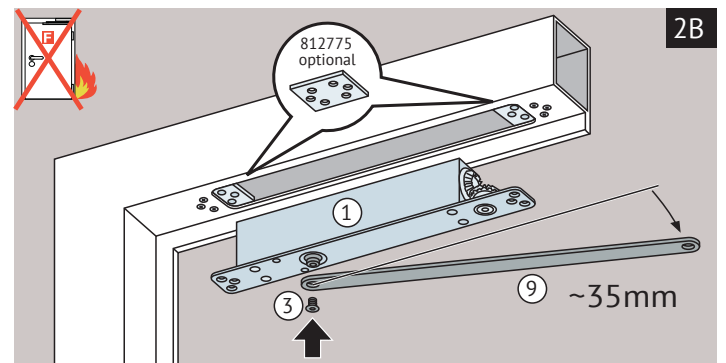
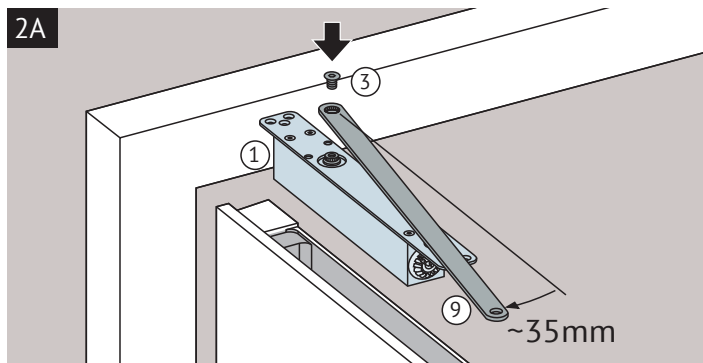
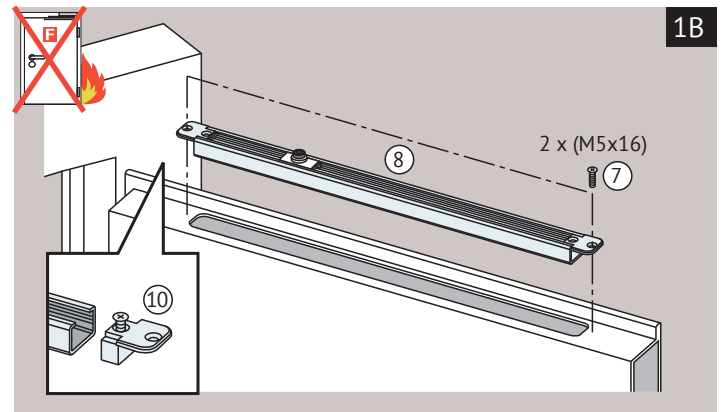
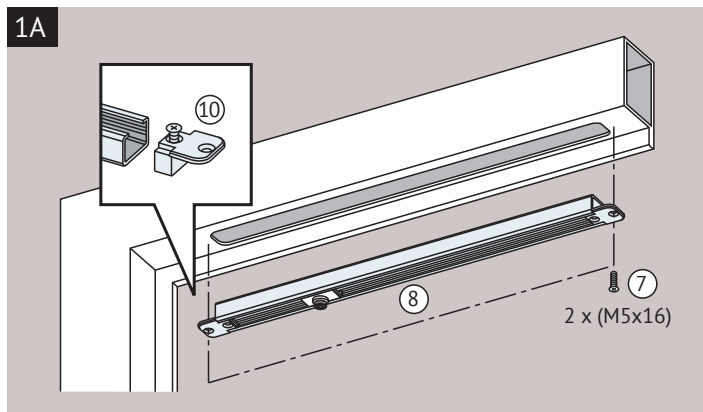
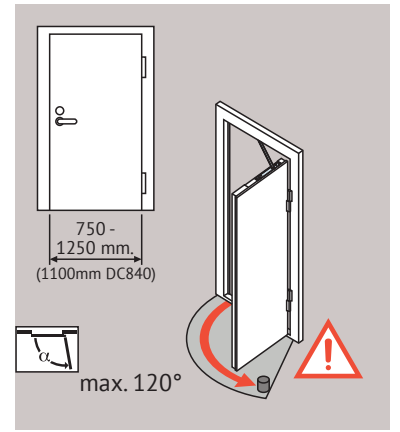
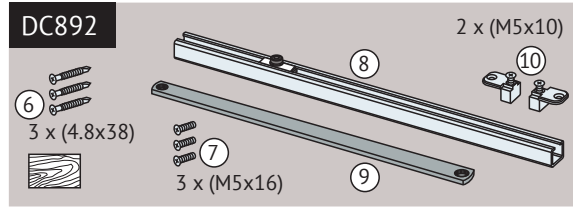
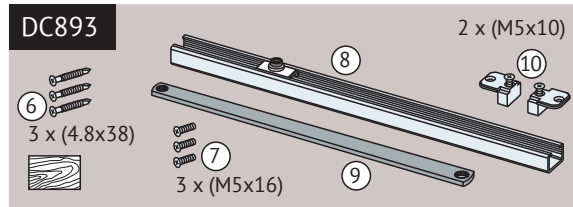
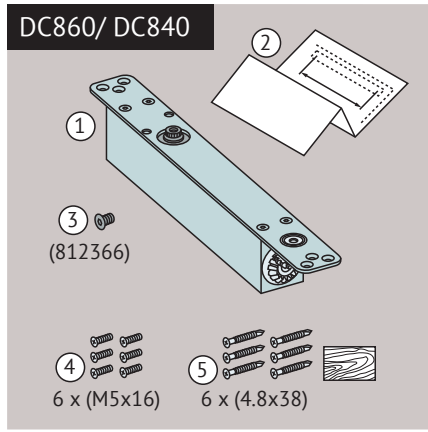
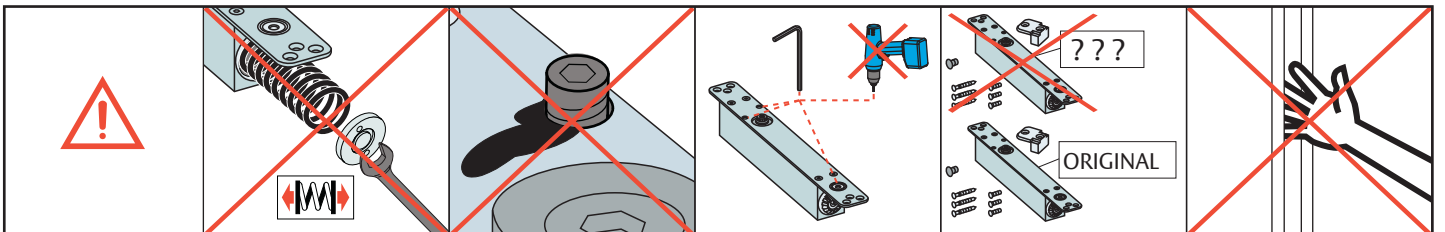
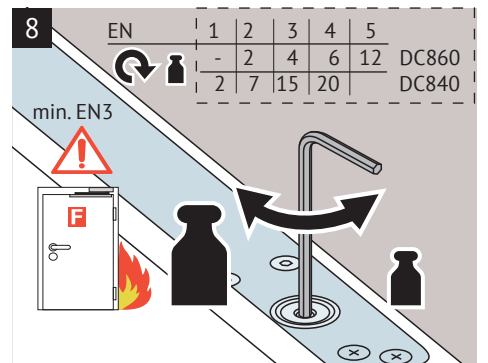
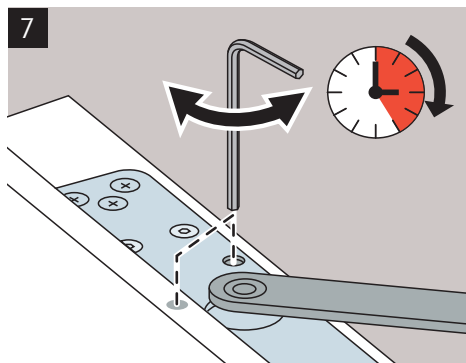
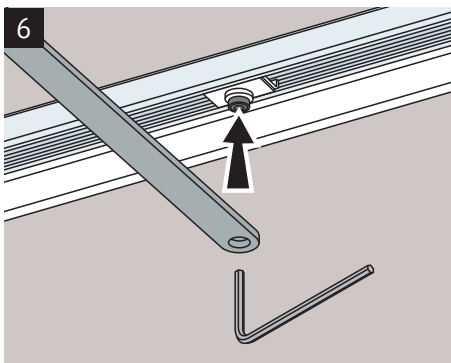
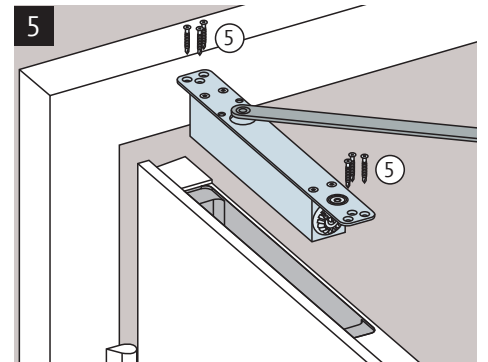
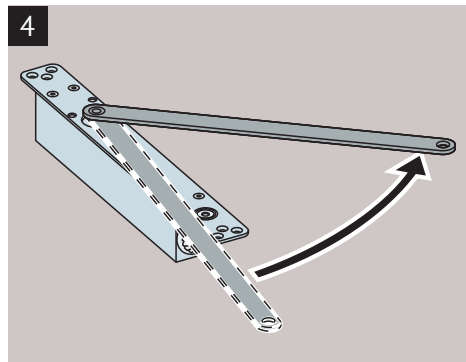
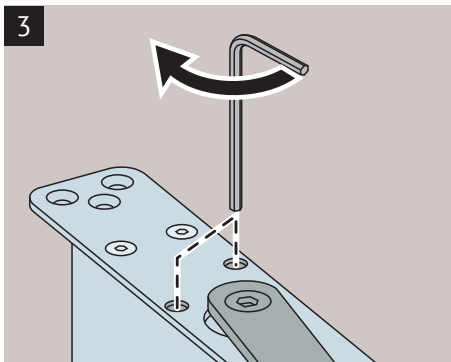
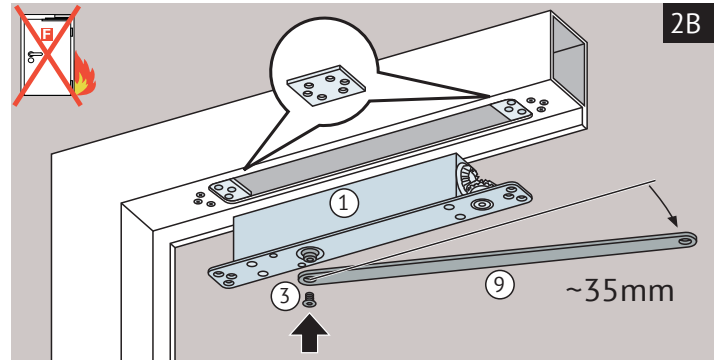
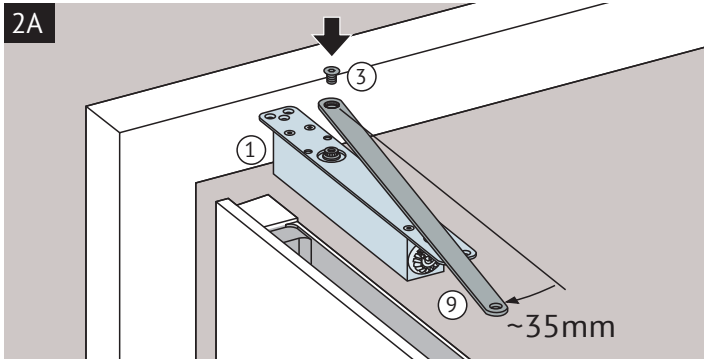
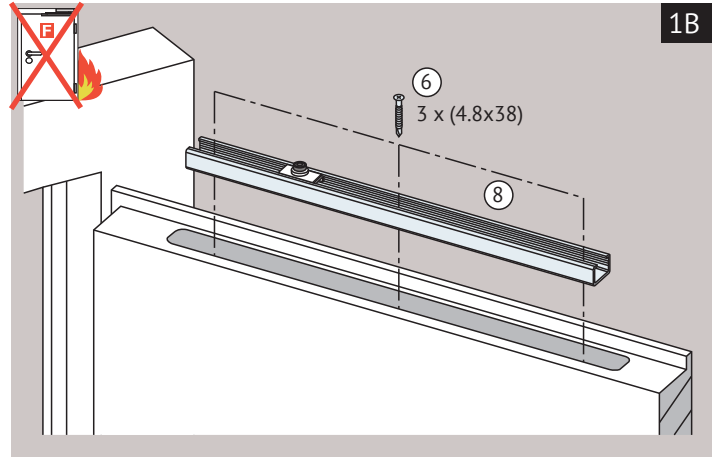
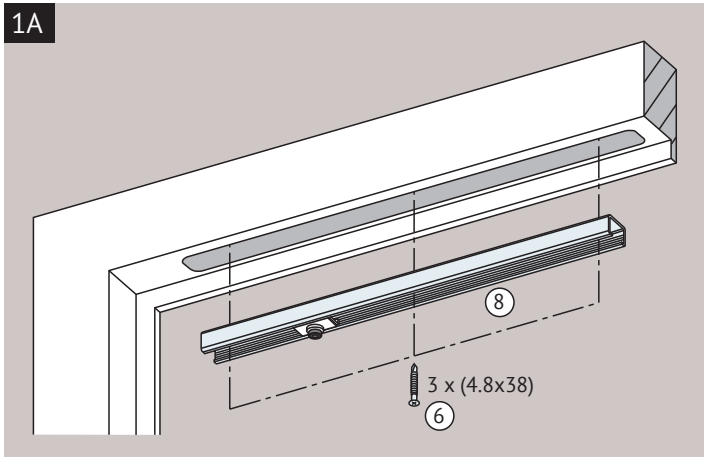


DC860/ DC840 + DC893 / DC892





DC860 + DC892(DC893)
FP8600 + ARG892(ARG893)

DC840 + DC892(DC893)
FP8400 + ARG892(ARG893)

CE	Abloy Oy, PO Box 108 80101 Joensuu Finland			09	DC860	EN 1154:1996/A1:2002/AC:2006	3	8	5	1	1	2
					0432-CPD-0047							
Dangerous substances: None												

CE	Abloy Oy, PO Box 108 80101 Joensuu Finland			11	DC840	EN 1154:1996/A1:2002/AC:2006	3	8	4	1	1	3
					0432-CPD-0047							
Dangerous substances: None												

ABLOY

www.abloy.com/dop