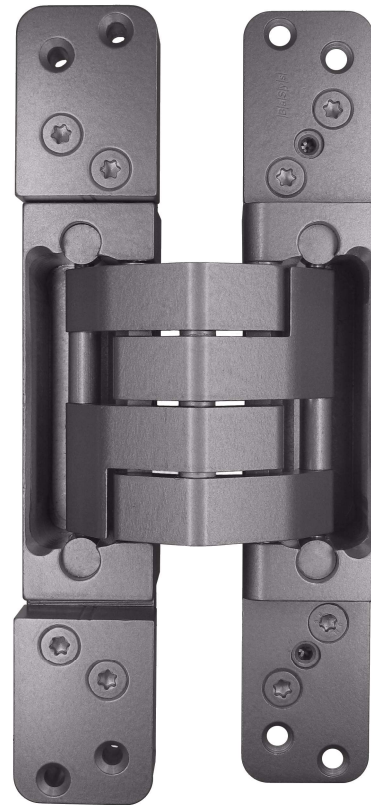
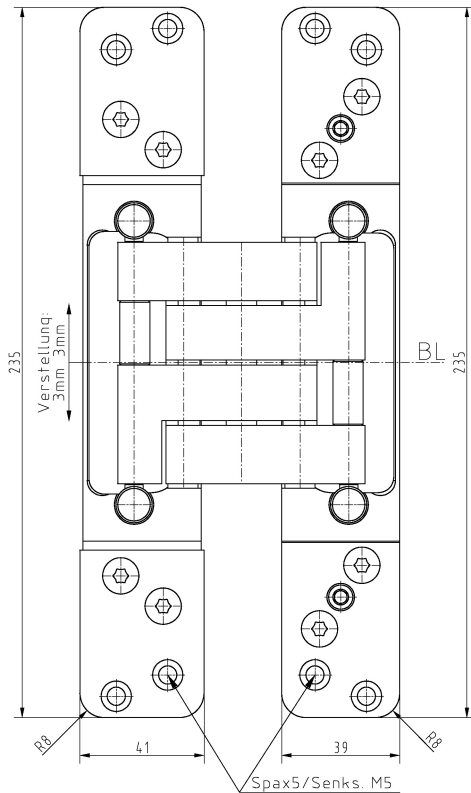
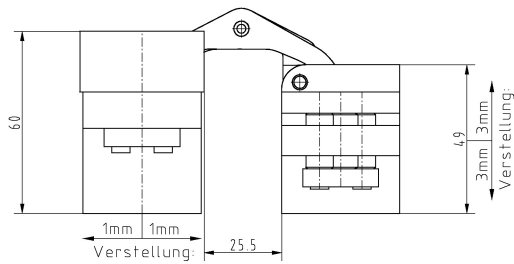


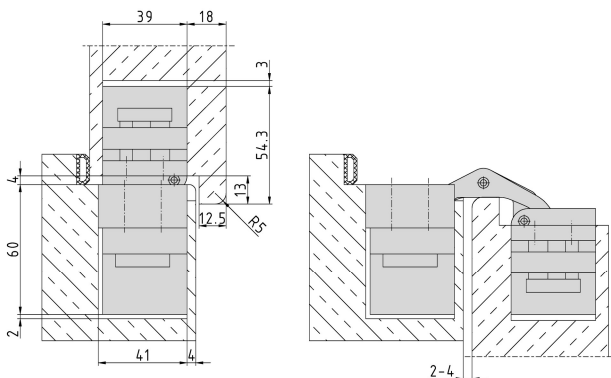
PIVOTA® FX1 100 3-D "WO"



Additional Information

- Standard load: Maximum door weight 120 kg (per pair)
- Application: Concealed hinge for rebated doors, hinge leaves are mortised into frame and door; 3-dimensional adjustability, maintenance-free bearings
- Accessories: Safety plate for frame part, retainer for casing or steel frames
- Advice: Minimum door thickness: 68 mm

Section Drawing



Item	Finish	PU
039836	satin nickel platec	1
040884	Alu Look F1	1
040989	simulated SS	1