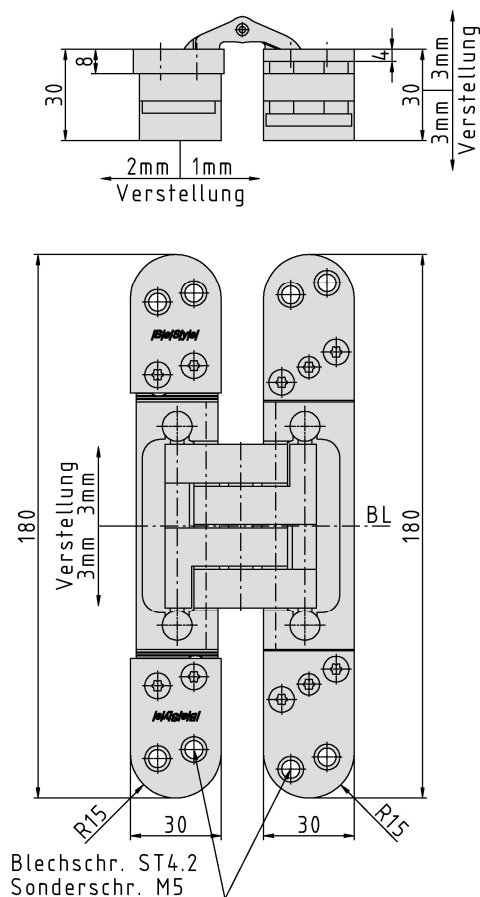
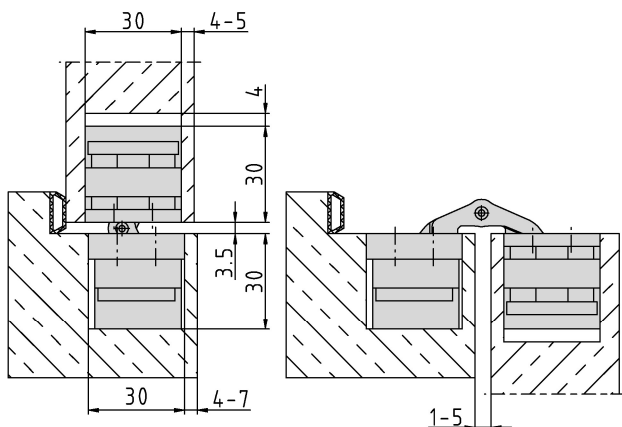


PIVOTA® DXS 101 3-D "Steel"



Section Drawing



Additional Information

- Standard load:** Maximum door weight 160 kg (per pair)
Application: Concealed hinge for non-rebated doors, hinge leaves are mortised into frame and door; 3-dimensional adjustability, maintenance-free bearings; suitable for fire resistant doors; option: burglary protection (RC2); solid steel joints for high stress
Accessories: PIVOTA® DX safety plate for frame part, retainer for casing or steel frames
Note: incl. fixing screws

Certified according to



| Item | Finish | PU |
|--------|---------------------|----|
| 040384 | satin nickel plater | 2 |