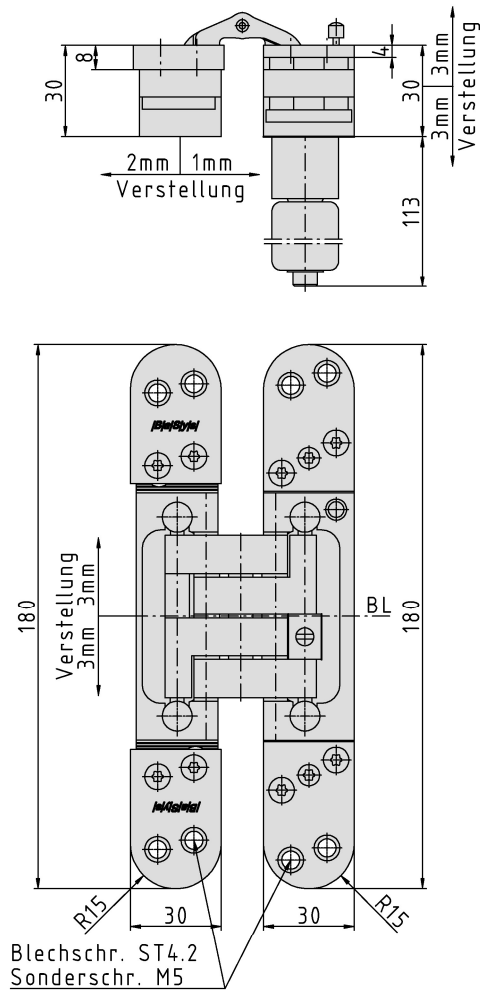


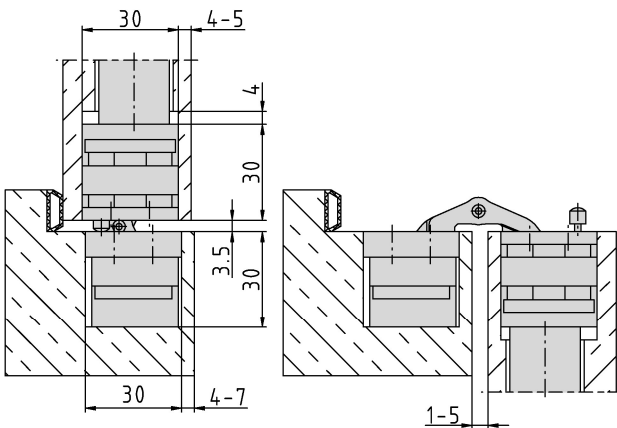
**PIVOTA® DXS 101 3-D "Close"**



**Additional Information**

- Standard load: Maximum door weight 80 kg (per pair)  
 Application: Concealed hinge for non-rebated doors, hinge leaves are mortised into frame and door; 3-dimensional adjustability, maintenance-free bearings; hinge is equipped with a concealed self-closing mechanism  
 Accessories: PIVOTA® DX safety plate for frame part, retainer for casing or steel frames  
 Note: incl. fixing screws

**Section Drawing**



Item	Finish	PU
040753	satin nickel plated	1
040754	Alu Look F1	1
040755	simulated SS	1