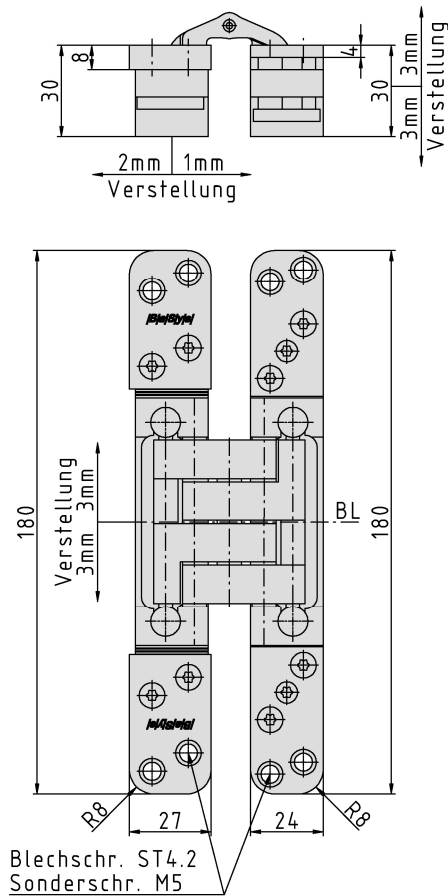
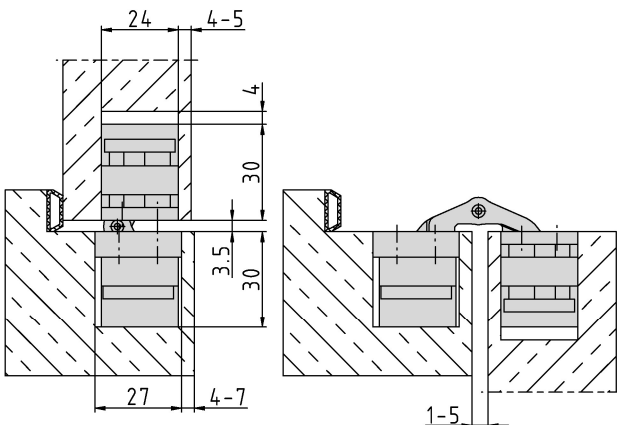


PIVOTA® DXS 100 3-D "Steel"



Section Drawing



Additional Information

- Standard load: Maximum door weight 160 kg (per pair)
 Application: Concealed hinge for non-rebated doors, hinge leaves are mortised into frame and door; 3-dimensional adjustability, maintenance-free bearings; suitable for fire resistant doors; solid steel joints for high stress
 Accessories: PIVOTA® DX safety plate for frame part, retainer for casing or steel frames
 Note: incl. fixing screws

Certified according to



Item	Finish	PU
039433	satin nickel plated	2
040650	Alu Look F1	2
040690	simulated SS	2