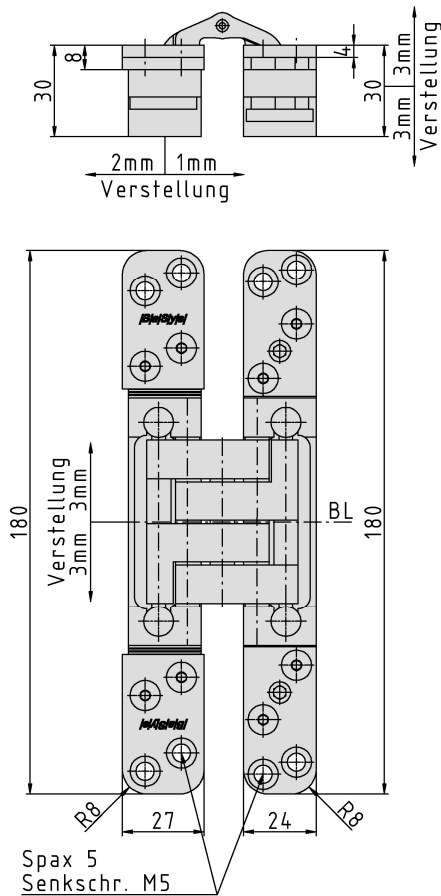


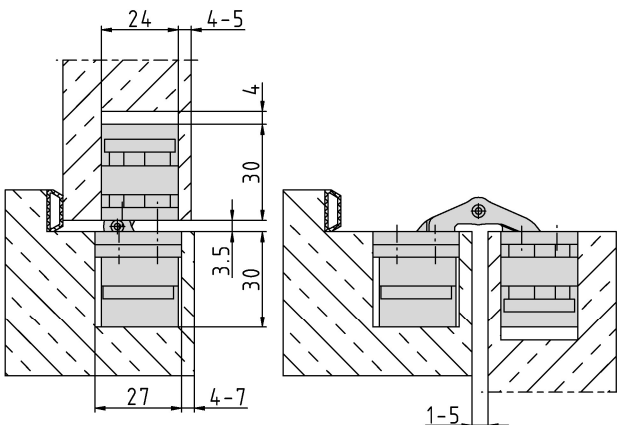
PIVOTA® DXE 100 3-D "Enox"



Additional Information

Standard load: Maximum door weight 160 kg (per pair)
Application: Concealed hinge for non-rebated doors, hinge leaves are mortised into frame and door; 3-dimensional adjustability, maintenance-free bearings; suitable for fire resistant doors; massive stainless steel body and joints
Accessories: PIVOTA® DX safety plate for frame part, retainer for casing or steel frames

Section Drawing



Certified according to



Item	Finish	PU
039517	enox brushed	2
039746	enox polished	2