

Additional Information

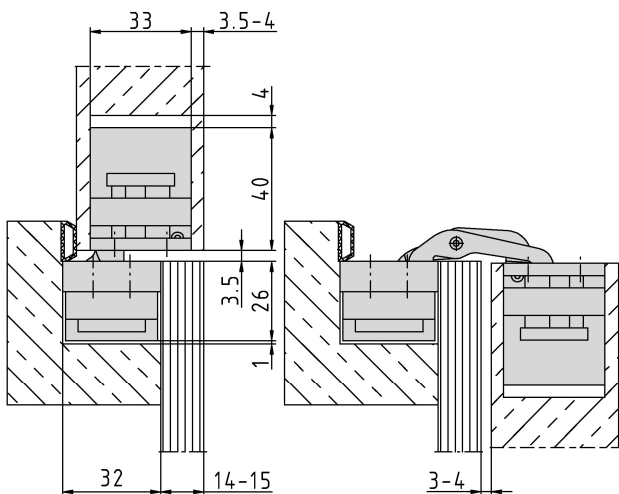
Standard load: Maximum door weight 80 kg (per pair)
Application: Concealed hinge for non-rebated doors with offset frame design, hinge leaves are mortised into frame and door;

3-dimensional adjustability, maintenance-free bearings;

Accessories: PIVOTA® DX safety plate for frame part, retainer for casing or steel frames

Note: incl. fixing screws; also available in "Design"-option

Section Drawing



Item	Finish	PU
040278	satin nickel platec	1
040552	simulated SS	1
040867	Alu Look F1	1