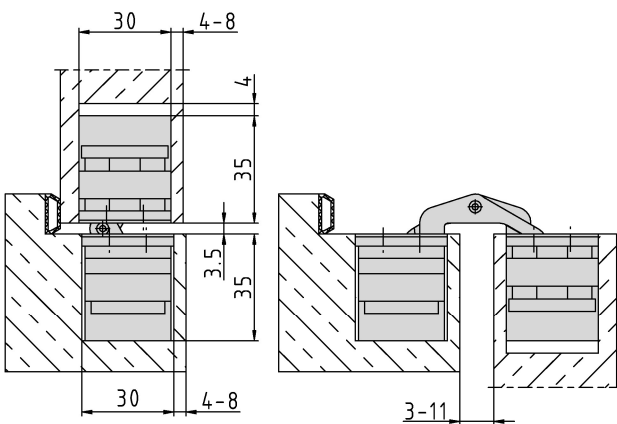


**Section Drawing**



**Additional Information**

- Standard load:** Maximum door weight 100 kg (per pair)  
**Application:** Concealed hinge for non-rebated doors, hinge leaves are mortised into frame and door; 3-dimensional adjustability, maintenance-free bearings; magnetically fixed cover plates for optics free-of-screws  
**Accessories:** PIVOTA® DX safety plate for frame part, retainer for casing or steel frames incl. fixing screws  
**Note:**

Certified according to



Item	Finish	PU
040139	satin nickel plated	1
040597	simulated SS	1
040701	Alu Look F1	1
S14054	RAL 9005 matt	1
S17080	RAL 9004 matt	1