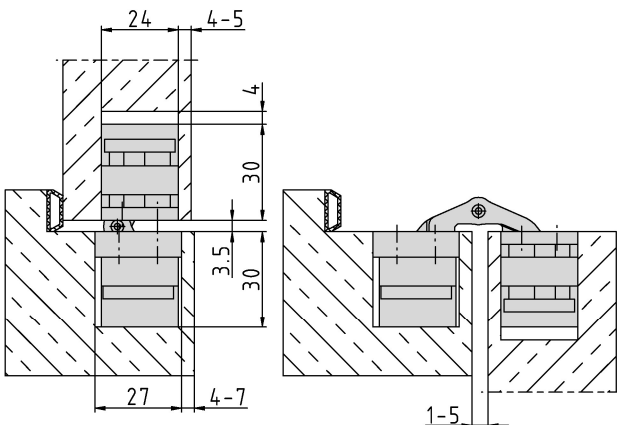


**Section Drawing**



**Additional Information**

- Standard load:** Maximum door weight 100 kg (per pair)  
**Application:** Concealed hinge for non-rebated doors, hinge leaves are mortised into frame and door; 3-dimensional adjustability, maintenance-free bearings; integrated height adjustment ("IHA")  
**Accessories:** PIVOTA® DX safety plate for frame part, retainer for casing or steel frames  
**Note:** incl. fixing screws

Certified according to



| Item   | Finish              | PU |
|--------|---------------------|----|
| 039460 | satin nickel plated | 2  |
| 040984 | simulated SS        | 2  |