

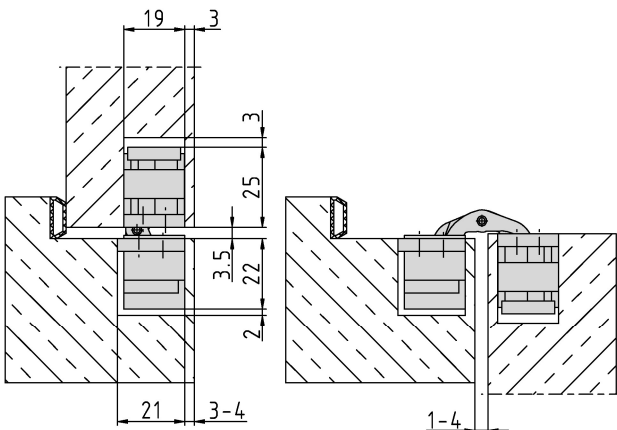
Spanplattenschraube $\varnothing 4.5$
Senkschr. ISO 14581 - M5



Additional Information

Standard load: Maximum door weight 60 kg (per pair)
 Application: Concealed hinge for non-rebated doors, hinge leaves are mortised into frame and door; 3-dimensional adjustability, maintenance-free bearings
 Accessories: PIVOTA® DX safety plate for frame part
 Note: incl. fixing screws; also available in "Design"-option

Section Drawing



Item	Finish	PU
039285	satın nickel plater	2