

Drawing : open to 180°

3D-adjustable concealed hinge for flush doors. Provides increased throw for optimized milling tolerances. Hinge leaves are mortised into the frame and door. Magnetically fixed coverplates provide installation without visible fasteners.

Max Door Weight (per pair): **132 lbs. (60kg)**

Min Door Thickness: **1-3/8" (35mm)**

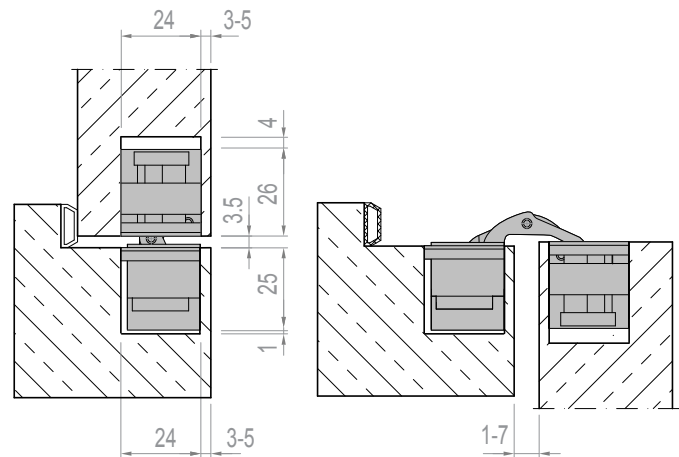
Height: **7.08" (180mm)**

Width: Frame and Door **.94" (24mm)**

Accessories: Casing frame fixing plates and metal frame receivers available.

Model available without coverplates.

Finishes: See page 24 for available finishes.



Section of Wood Frame-Door Installation