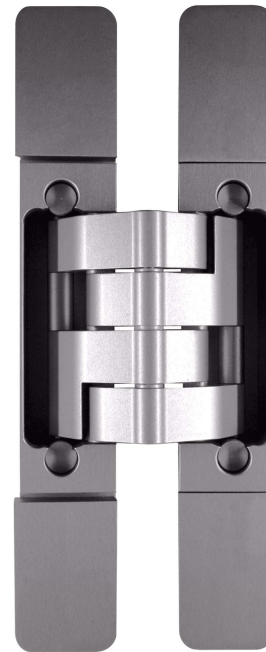
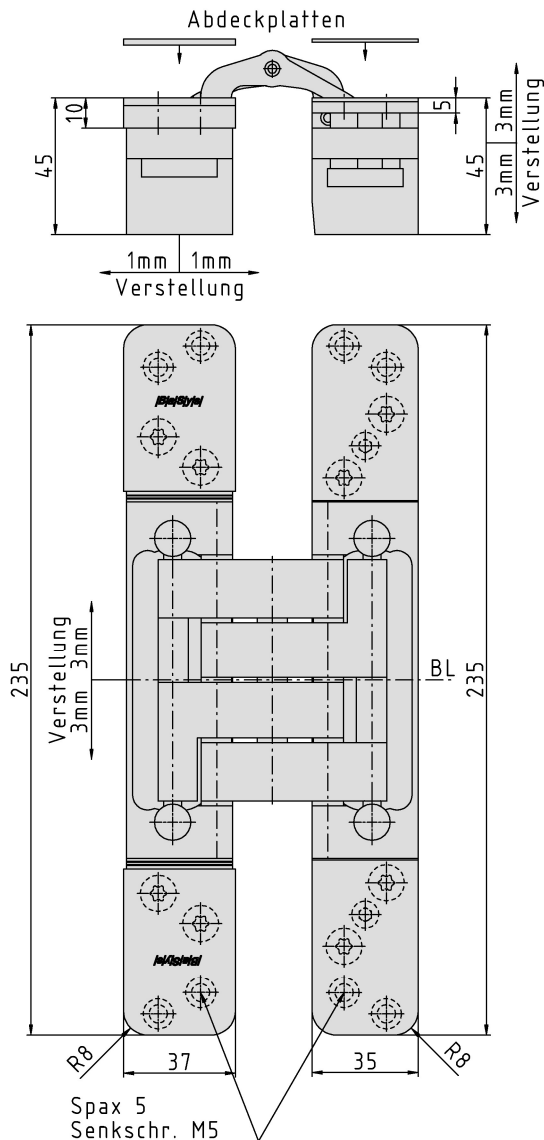


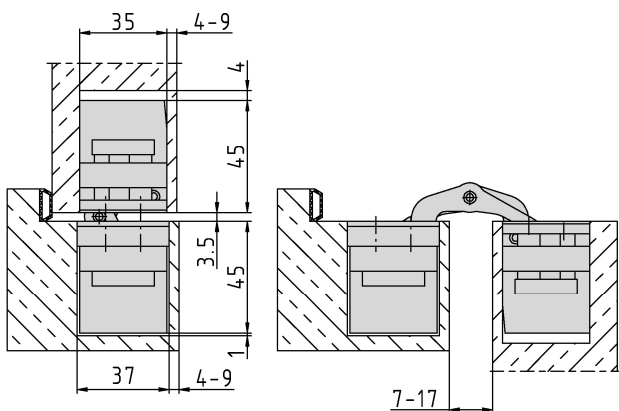
PIVOTA® DX 180 3-D "Design"



Additional Information

- Standard load:** Maximum door weight 200 kg (per pair)
Application: Concealed hinge for non-rebated doors, hinge leaves are mortised into frame and door; 3-dimensional adjustability, maintenance-free bearings; suitable for claddings; magnetically fixed cover plates for optics free-of-screws
Accessories: PIVOTA® safety plate for frame part, retainer for casing or steel frames

Section Drawing



Certified according to



Item	Finish	PU
039580	satın nickel platec	1