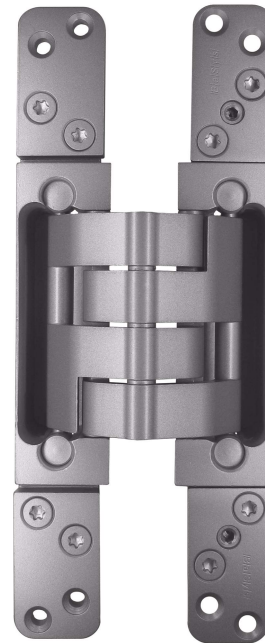
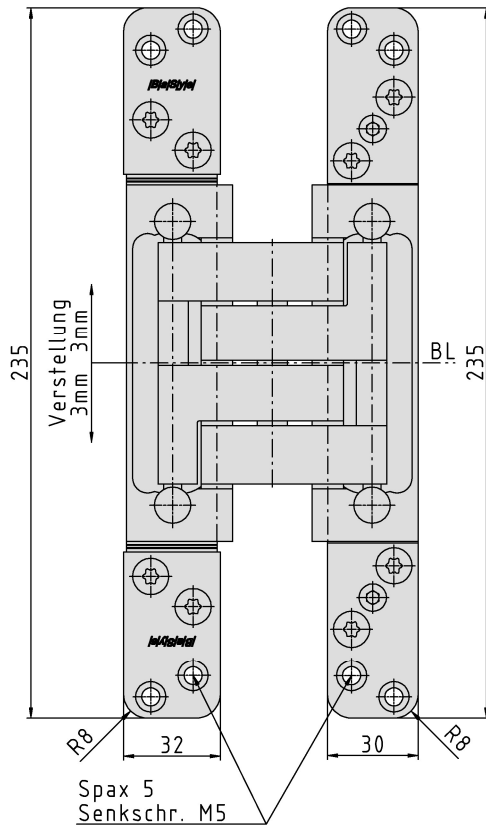
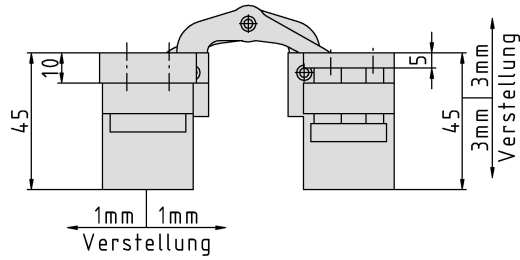


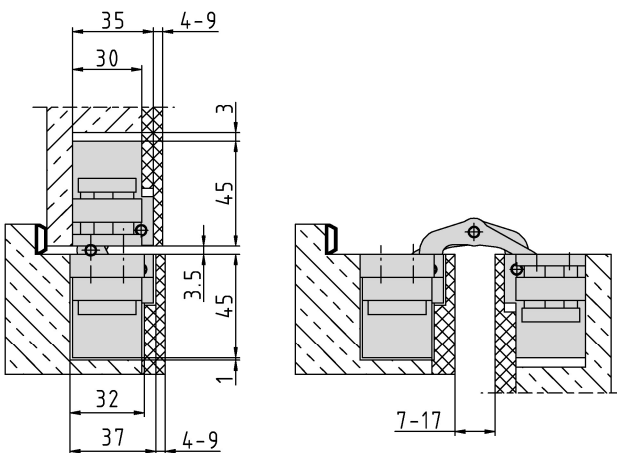
PIVOTA® DX 180 3-D "33mm"



Additional Information

- Standard load: Maximum door weight 200 kg (per pair)
 Application: Concealed hinge for non-rebated doors, hinge leaves are mortised into frame and door; 3-dimensional adjustability, maintenance-free bearings; suitable for claddings
 Accessories: PIVOTA® DX safety plate for frame part, retainer for casing or steel frames

Section Drawing



Certified according to



Item	Finish	PU
040687	Alu Look F1	1