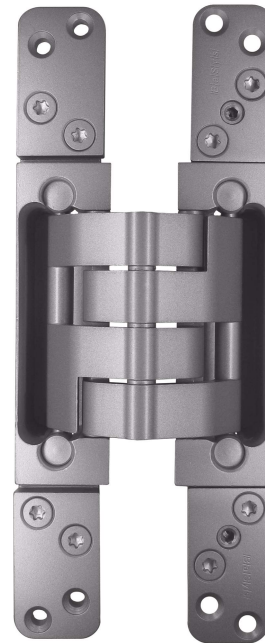
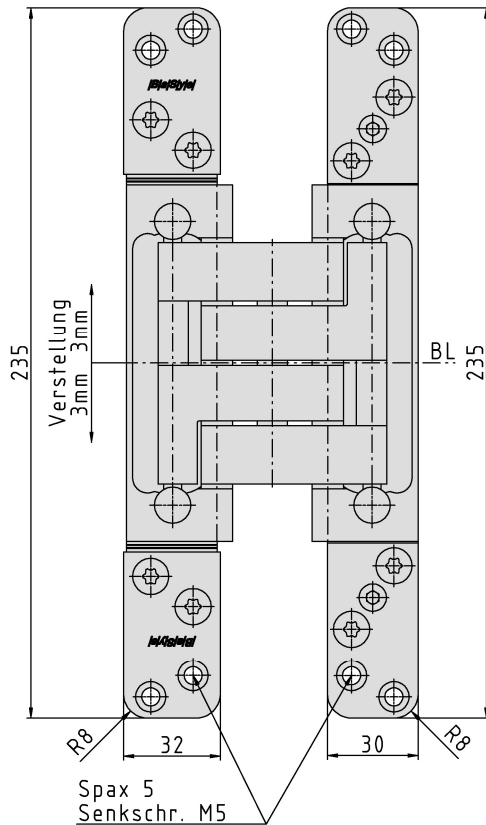
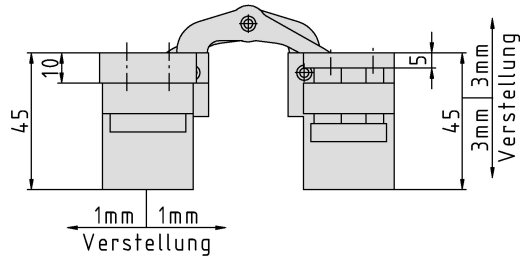


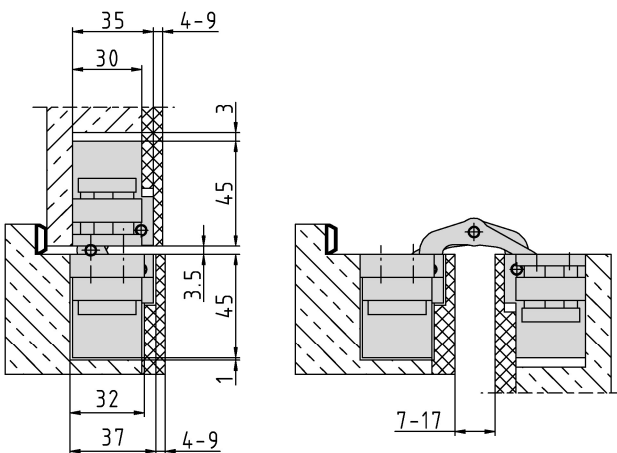
PIVOTA® DX 120 3-D "33mm"



Additional Information

- Standard load: Maximum door weight 160 kg (per pair)
 Application: Concealed hinge for non-rebated doors, hinge leaves are mortised into frame and door; 3-dimensional adjustability, maintenance-free bearings; suitable for claddings
 Accessories: PIVOTA® DX safety plate for frame part, retainer for casing or steel frames
 Note: also available in "Design"-option

Section Drawing



Certified according to



| Item | Finish | PU |
|--------|---------------------|----|
| 039886 | satin nickel plated | 1 |
| 040607 | simulated SS | 1 |
| 040711 | Alu Look F1 | 1 |