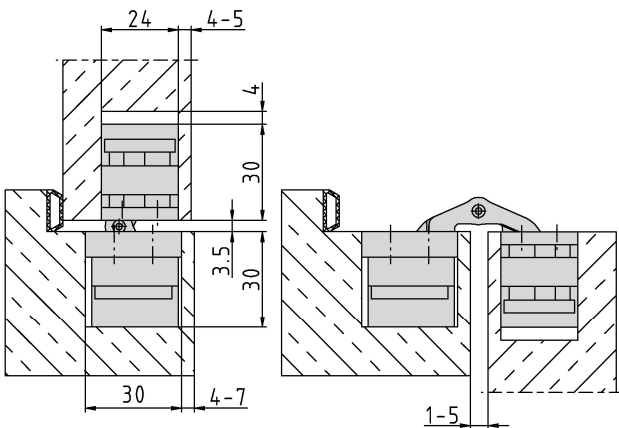


**Section Drawing**



**Additional Information**

- Standard load: Maximum door weight 120 kg (per pair)
- Application: Concealed hinge for non-rebated doors, hinge leaves are mortised into frame and door; 3-dimensional adjustability, maintenance-free bearings; frame part provided with screen
- Accessories: PIVOTA® DX safety plate for frame part, retainer for casing or steel frames
- Note: incl. fixing screws; also available in "Design"-option

Certified according to



Item	Finish	PU
037946	satin nickel plated	2
040609	Alu Look F1	2
040817	simulated SS	2