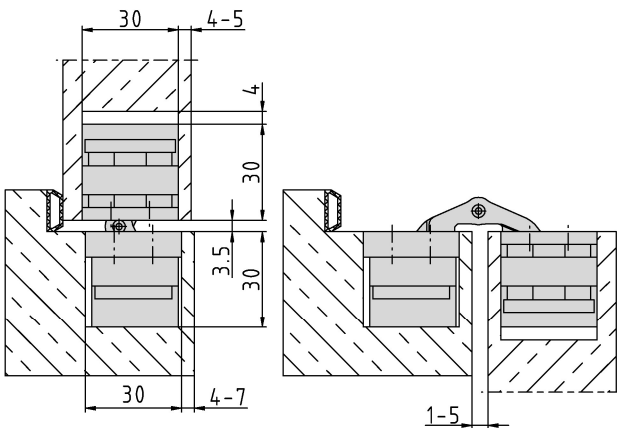


Section Drawing



Additional Information

- Standard load:** Maximum door weight 120 kg (per pair)
Application: Concealed hinge for non-rebated doors, hinge leaves are mortised into frame and door; 3-dimensional adjustability, maintenance-free bearings; integrated height adjustment ("IHA"); suitable for fire resistant doors
Accessories: PIVOTA® DX safety plate for frame part, retainer for casing or steel frames
Note: incl. fixing screws

Certified according to



Item	Finish	PU
039480	satin nickel plated	2