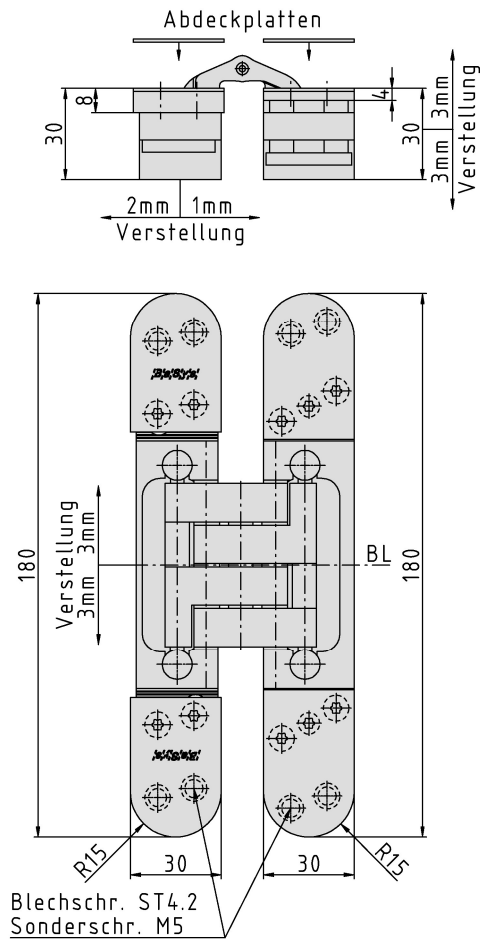


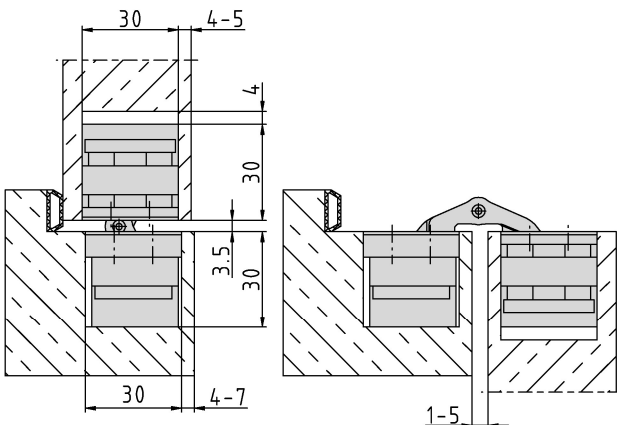
PIVOTA® DX 101 3-D "Design"



Additional Information

- Standard load:** Maximum door weight 120 kg (per pair)
Application: Concealed hinge for non-rebated doors, hinge leaves are mortised into frame and door; 3-dimensional adjustability, maintenance-free bearings; magnetically fixed cover plates for optics free-of-screws
Accessories: PIVOTA® DX safety plate for frame part, retainer for casing or steel frames
Note: incl. fixing screws

Section Drawing



Certified according to



Item	Finish	PU
039489	satin nickel plater	2
040591	simulated SS	2
040620	Alu Look F1	2
S10036	RAL 9005 matt	2