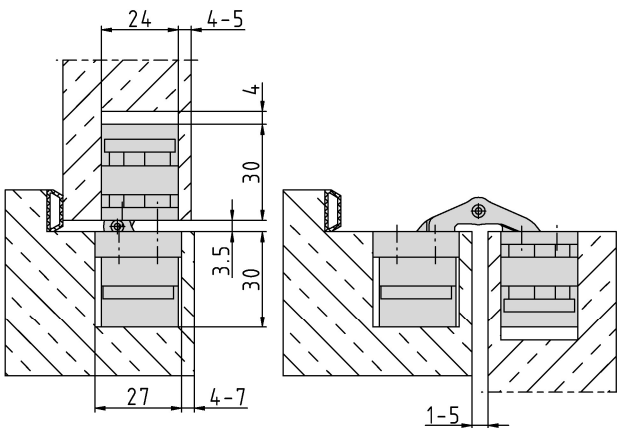


**Additional Information**

- Standard load: Maximum door weight 120 kg (per pair)  
 Application: Concealed hinge for non-rebated doors, hinge leaves are mortised into frame and door; 3-dimensional adjustability, maintenance-free bearings; suitable for fire resistant doors  
 Accessories: PIVOTA® DX safety plate for frame part, retainer for casing or steel frames  
 Note: incl. fixing screws

**Section Drawing**



Certified according to



Item	Finish	PU
037939	satin nickel platec	2
039180	Alu Look F1	2
040686	simulated SS	2