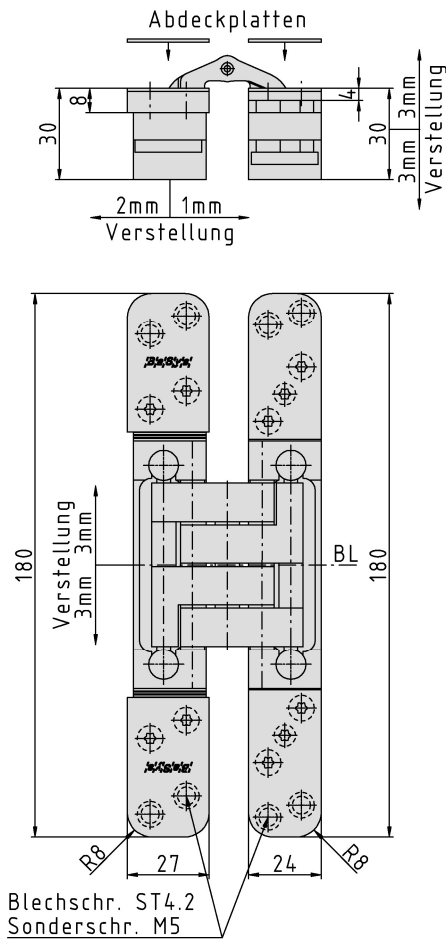


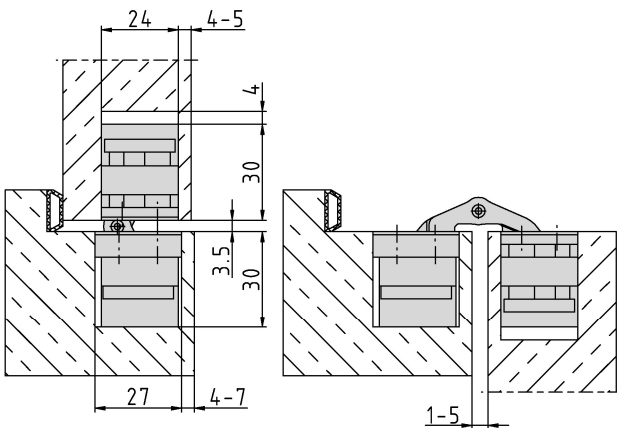
**PIVOTA® DX 100 3-D "Design"**



**Additional Information**

- Standard load:** Maximum door weight 120 kg (per pair)  
**Application:** Concealed hinge for non-rebated doors, hinge leaves are mortised into frame and door; 3-dimensional adjustability, maintenance-free bearings; magnetically fixed cover plates for optics free-of-screws  
**Accessories:** PIVOTA® DX safety plate for frame part, retainer for casing or steel frames  
**Note:** incl. fixing screws

**Section Drawing**



Certified according to



Item	Finish	PU
039713	satin nickel plater	2
040540	simulated SS	2
040618	Alu Look F1	2
S14055	RAL 9005 matt	2
S17037	RAL 9004 matt	2