

ABLOY® PBE001, PBE002, PBE003 Panic bar



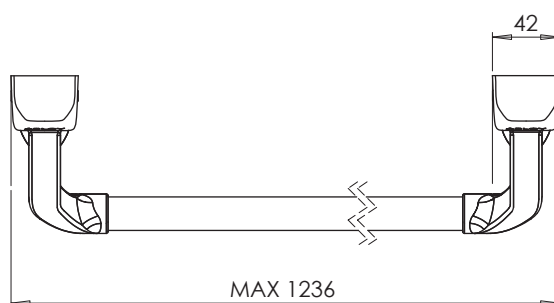
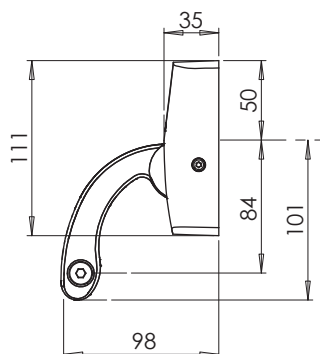
Product description

Exit door panic bar, tested and certified according to EN 1125. Can be used with together tested mechanical and electromechanical lock cases.

- PBE001 for solid and profile doors. Outside handle (0321 / 0651) must be selected separately.
- PBE002 for solid doors. With outside cover plate.
- PBE003 for profile doors. With outside cover plate.

Technical data

Material	Bar: Stainless steel (AISI304) Operating units: Zinc Operating unit covers: Zinc Fitting parts: Steel
Surfaces	Chrome (Cr), Satin chrome (HCr), Brushed nickel (Niha), Antimicrobial-coating ACTIVE Val/Mus/Har/Gra
Standards	EN 1125
Suitable for fire doors	Yes
Delivery batch	1 bar
Product code	PBE001, PBE002, PBE003



This content is protected by Intellectual Property Rights Laws. The title to the content shall not pass to you, and instead shall remain with Abloy Oy or a third party holding the title. Abloy develops continuously the products and solutions offered. Therefore, the information contained in the document is subject to change without notice. ABLOY PROVIDES THIS CONTENT ON AN "AS IS" BASIS WITHOUT ANY WARRANTIES OF ANY KIND, EXPRESS, IMPLIED, OR STATUTORY."