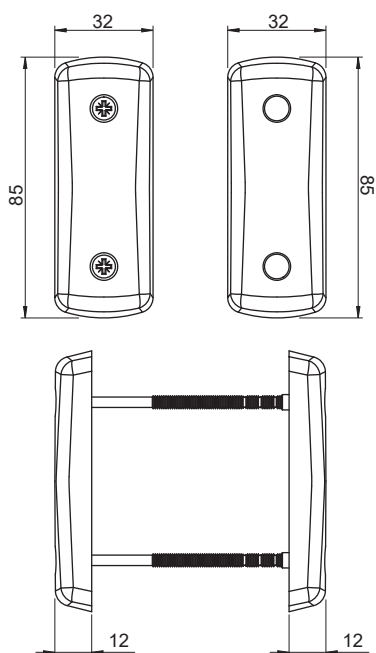


ABLOY® LA204 Cover plate



Technical data

| | |
|---------------------------|--|
| Available plating options | Bright chrome (Cr), Satin chrome (HCr), Brushed nickel (NiHa), Antimicrobial painted ACTIVE Val (white)/ Mus (black)/Har (gray)/Gra (graphite) |
| Weight | 0,10 kg |

This content is protected by Intellectual Property Rights Laws. The title to the content shall not pass to you, and instead shall remain with Abloy Oy or a third party holding the title. Abloy develops continuously the products and solutions offered. Therefore, the information contained in the document is subject to change without notice. ABLOY PROVIDES THIS CONTENT ON AN "AS IS" BASIS WITHOUT ANY WARRANTIES OF ANY KIND, EXPRESS, IMPLIED, OR STATUTORY."

ABLOY