

HIGH SECURITY MOTOR LOCK **ABLOY® EL574** SCANDINAVIAN RANGE



ABLOY® EL574 is a fast motor lock with dead bolt and handle operated latch bolt for wooden and steel doors.

TECHNICAL DETAILS

Operating voltage	12-24 VDC +15%, stab. 12-18 VAC (-10%/+15%, RMS)
Typ. Current	12 VDC
Temperature range	-20°C...+60°C
Hold open delay	2...15 sec
Bolt throw	14 mm latch bolt 20 mm latch bolt
Backset	50 mm
Forend	22 mm
Spindle	8 mm

FINISH

Chrome plated forend

PACKAGE

Lock case, control unit EA452 (EL874, EL875 with control unit EA453), fixing screws and lock case manual. Strike plate is available separately.

CYLINDERS

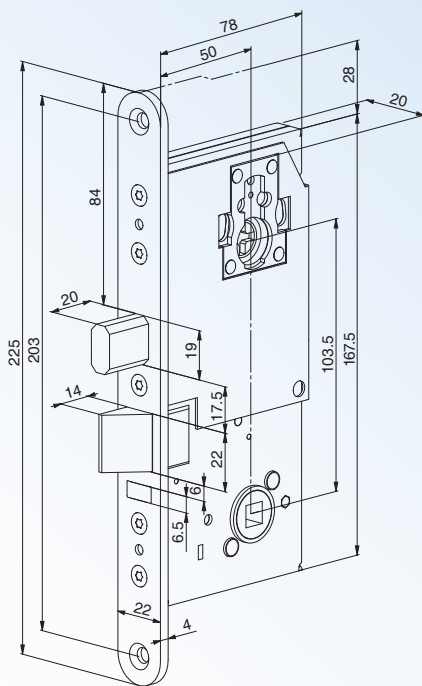
- Scandinavian oval and round type; **ABLOY® NOVEL**, **ABLOY® PROTEC**, ASSA, RUKO, TrioVing or other.
- Finnish type; **ABLOY® NOVEL**, **ABLOY® PROTEC** or **ABLOY® CLASSIC**

STANDARDS

EN 12209:2004	Mechanical resistance
EN 179:2008	Emergency exit (EL874, EL875)
SS3522	Burglary resistance

DIMENSIONS

Lock case dimensions conform to SS 81 73 83.



This document may not be used in the installation of a lock. Drilling and wiring diagrams and installation instructions are included in the lock case manual, which is included in each lock case package. We reserve the right to make alterations to the products described in this leaflet.

APPLICATION

ABLOY® EL574 is high security security lock for exterior and interior doors, which are unlocked at day time and electrically locked at night time. Typical applications are e.g. commercial buildings, schools, universities and industrial premises. Locks can be controlled by e.g. card readers or timer.

ABLOY® EL574 includes two bolts: fast motorized high security dead bolt and handle-operated latch bolt. The latch bolt keeps the door closed, but in the same time it is possible to open the door mechanically by handle. Electrically controlled dead bolt is used for night time locking, when high mechanical and electrical security is required.

ABLOY® EL574 is a correct solution for doors, which must remain closed, but unlocked for convenient handle opening in day time. In night time the door is electrically deadlocked.

With an additional back-up card, it is possible to choose the lock function in case of power failure. The lock case can be set to either fail locked or fail unlocked position depending on which feature is needed: security or safety.

Also available:

ABLOY® EL575 with rectangular bolt only

ABLOY® EL577 with rectangular bolt only, with Finnish type cylinder

ABLOY® EL874 same as EL574, but approved for EN 179 exit doors with lever handle ASSA 179C

ABLOY® EL875 with rectangular bolt only, approved for EN 179 exit doors with lever handle ASSA 179D

FUNCTION

ABLOY® EL574 includes two bolts: fast, motorized dead bolt and handle-operated latch bolt. Dead bolt is thrown and withdrawn by motor.

The dead bolt can be electrically controlled into open position in two ways:

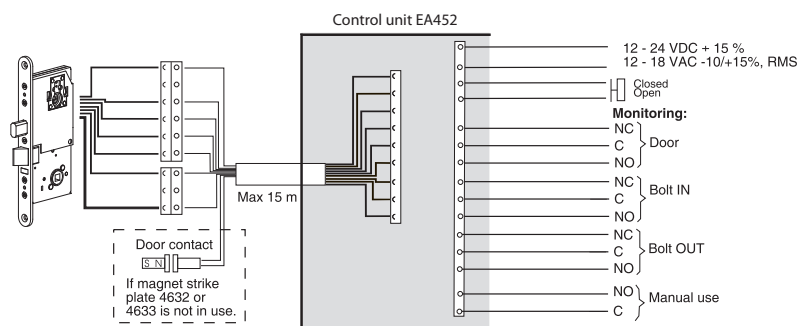
- momentarily: bolt deadlocks automatically after an adjusted hold-open delay of 2 - 15 seconds
- continuously: bolt remains in open position as long as control is on

Lock case is equipped with an integral door contact, which prevents the bolt from being thrown before the door is closed.

Mechanical opening by cylinder is always possible.

WIRING PRINCIPLE

EL574



CYLINDERS AND ACCESSORIES (Please order separately)

		ABLOY® NOVEL (U) ABLOY® PROTEC (N) ABLOY® DISKLOCK PRO (D)	STRIKE PLATES	CABLES	LEAD COVERS	BACK-UP CARD
EL574, EL575	Single w/thumbturn	CY201U, N, D / 6415 (SO) CY204U, N, D (SR)	4632 4633	EA214 (6m) EA224 (10m)	EA280 EA281	952169
EL574, EL575	Double	CY202U, N, D / 6412 (SO) CY205U, N, D (SR)				
EL577	Single w/thumbturn	CY001U, N, D (F)				
EL577	Double	CY002U, N, D (F)				

SO= Scandinavian oval SR=Scandinavian round F=Finnish



www.abloy.com

Abloy Oy
Wahlforssinkatu 20
P.O.Box 108
FI-80101 JOENSUU
FINLAND
Tel. +358 20 599 2501
Fax +358 20 599 2209

