



DC700G-FM Technical Datasheet

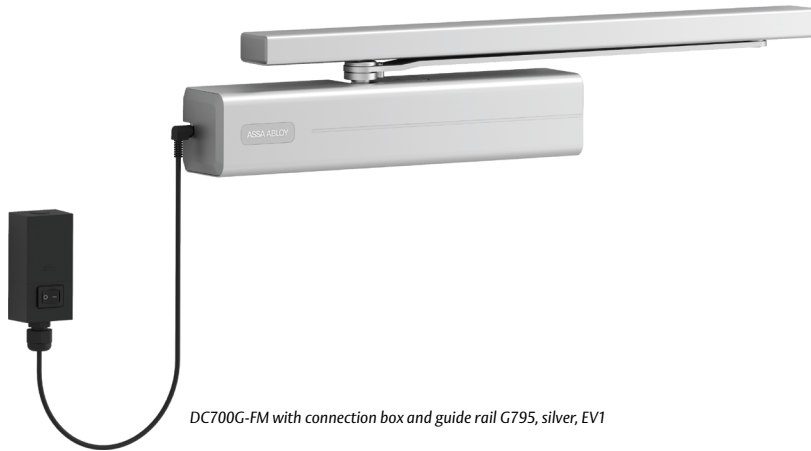
ASSA ABLOY
Opening Solutions

Door closer with Free-Motion technology
for resistance-free door opening

Experience a safer
and more open world

DC700G-FM

Free-Motion door closer with Cam-Motion® technology, free-swing function and guide rail for single leaf doors, size 3-6



DC700G-FM with connection box and guide rail G795, silver, EV1

Free-Motion® technology permits continuous door opening without the resistance of the door closer

The DC700 series brings precise control for doors which must balance access and protection, contained within a stylish exterior to meet the demands of discerning environments.

Combining Cam-Motion technology with free-swing function, Free-Motion door closers are designed for smooth opening with almost zero force.

- Certified in compliance with EN 1154/1155, size 3-6
- Suitable for fire and smoke protection doors
- For single leaf doors up to 1400 mm width
- Barrier-free according to DIN 18040 (max. leaf width 1250 mm) and CEN/TR 15894
- DIBt tested as a hold-open system with various smoke detector systems

Colours

- Silver, EV1
- White, similar to RAL 9016
- Stainless steel design
- Customized colours on request

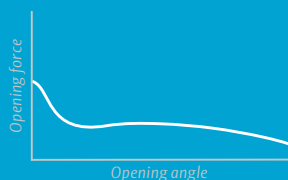
Features

- Rapidly decreasing opening force allows easy and barrier-free initial door opening
- Free-swing function starts from a door opening angle $\geq 0^\circ$ and is active until power supply is switched off
- Height-adjustable, grooved spindle (14 mm) compensates installation mistakes
- Closing and latch speeds can be raised and lowered independently
- Durable, front-facing metal valves make adjustments easy and reliable
- Consistent performance in a wide range of indoor/outdoor temperatures
- Simplified stock management with universal parts and adaptable solutions

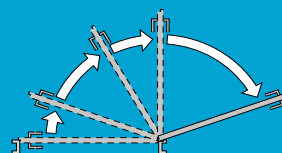
Guide rail and accessories

- **G795** height-adjustable (2 mm) free-swing guide rail with concealed fastening screws
- **A120** mounting plate for doors where direct mounting is not possible
- **A130** mounting plate for guide rail G795
- **A153** mechanical opening damper, continuously adjustable up to an opening angle of max. 130° (does not replace door stop)
- **A189** connection box for leaf mounting
- **1317-10** flush-mounted release button and **1316-10** surface-mounted release button for controlling fail-unlocked components, such as holding magnets and fail-unlocked strikes, and as a manual switch / control for arrester systems
- **RZ100** smoke detector station with integrated power supply and smoke detector to control arrester devices
- **ORS 142 / TDS 247** ceiling smoke detector

Barrier-free step-by-step activation



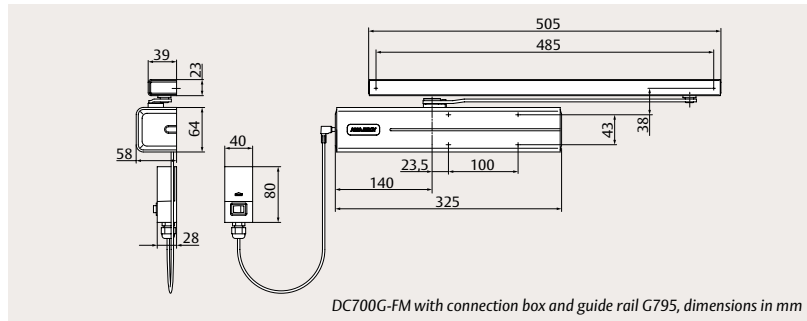
Rapidly decreasing force for first opening



Door can be left open at any angle $\geq 0^\circ$

DC700G-FM

Technical attributes and certification



Technical attributes

Closing force	EN size 3-6
Maximum leaf width	1400 mm
Closing speed (C)	Variable between 170° and 10°
Latch speed (L)	Variable between 10° and 0°
Maximum opening angle	Hinge side ~160° Non-hinge side ~125°
Door system	Single leaf
Handing	Left- / right-handed
Mounting methods	Leaf mounting on hinge side (with connection box) Frame mounting on hinge and non-hinge side (without connection box)
Height-adjustable	Yes
Corrosion resistance	Grade 3 (96 hours)
Dimensions (H x D x L)	64 x 58 x 325 mm
Required power supply	24 V DC
Rated power consumption	~90 mA
Duty cycle	100%



Visit assaabloy.com to download all relevant product literature



Certification and testing

Certified in compliance with	EN 1154, EN 1155
CE classification	3 8 3-6 1 1 3
CE / UKCA mark	Yes
Suitable for fire and smoke protection doors	Yes
Barrier-free according to	CEN/TR 15894 DIN 18040 (max. leaf width 1250 mm)
Third-party verified EPD	ISO 14025, EN 15804
Protection class	IP 43

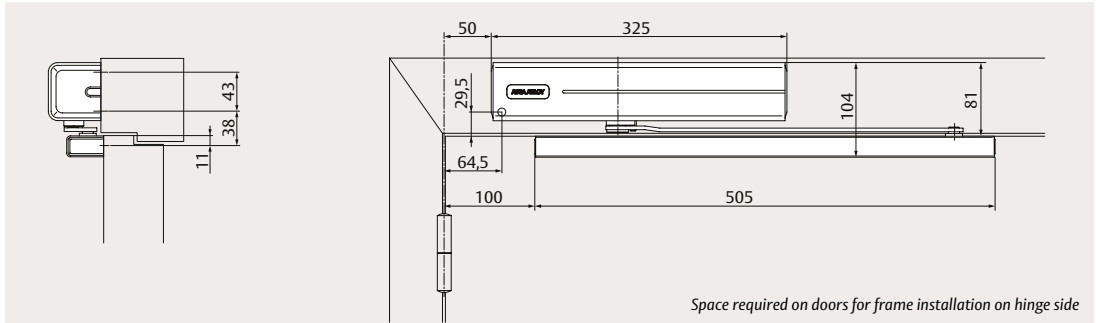


DC700G-FM

Space requirement and mounting dimensions

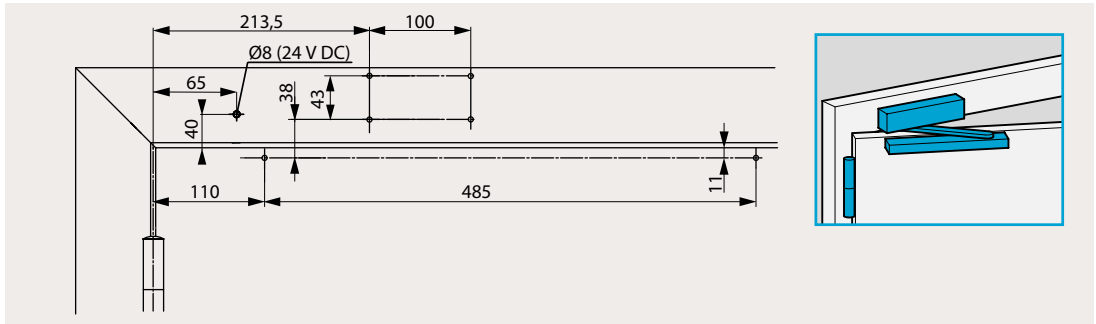


Scan QR code to watch installation video



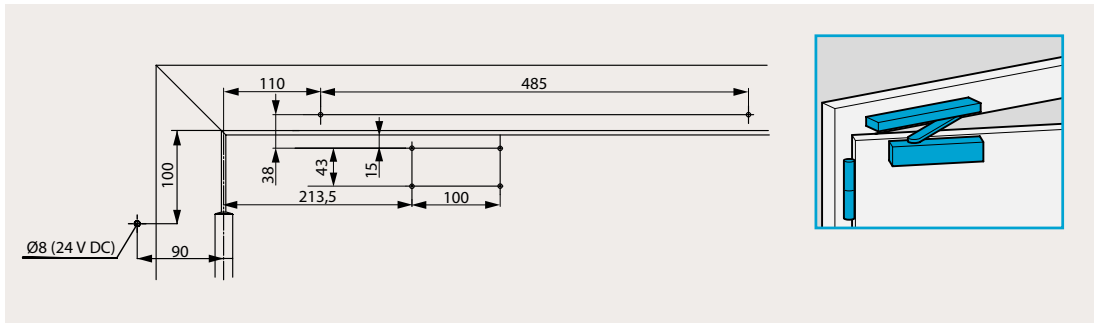
Direct frame mounting on hinge side

The drawing illustrates installation on left-handed doors. For right-handed doors, it is the reverse.



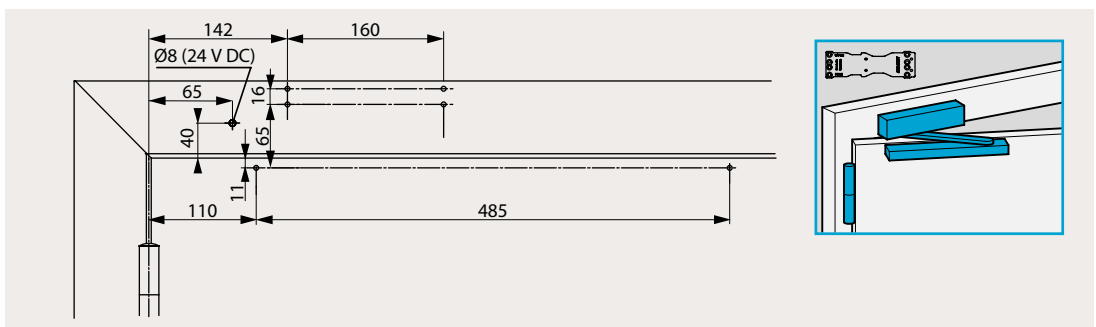
Direct leaf mounting on hinge side

The drawing illustrates installation on left-handed doors. For right-handed doors, it is the reverse.



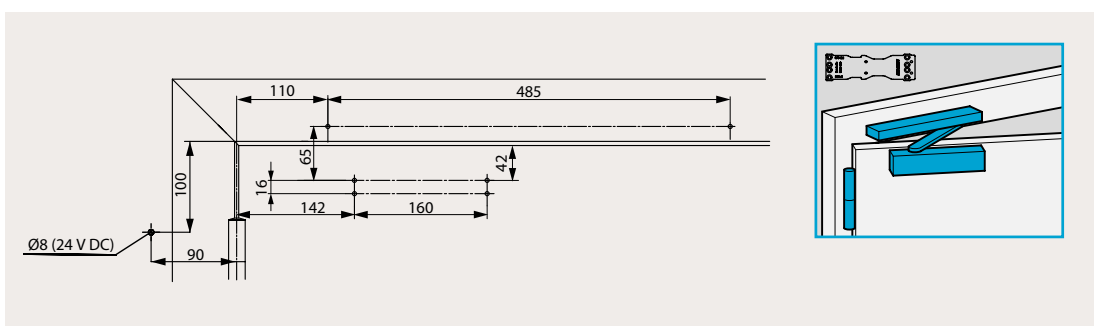
Mounting plate frame mounting on hinge side

The drawing illustrates installation on left-handed doors. For right-handed doors, it is the reverse.



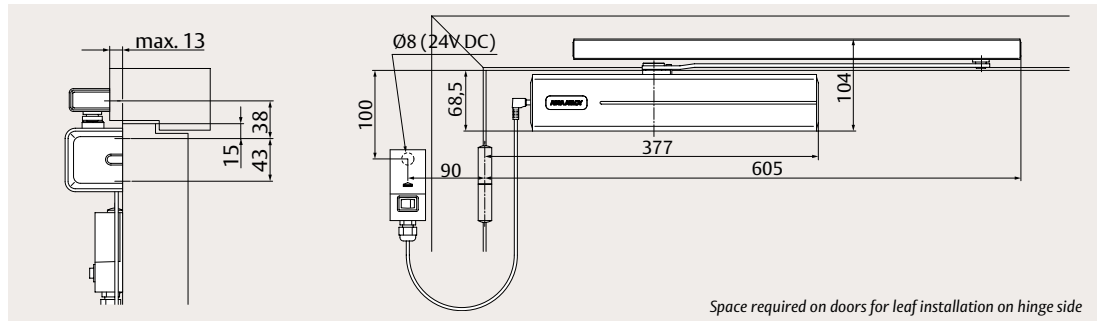
Mounting plate leaf mounting on hinge side

The drawing illustrates installation on left-handed doors. For right-handed doors, it is the reverse.



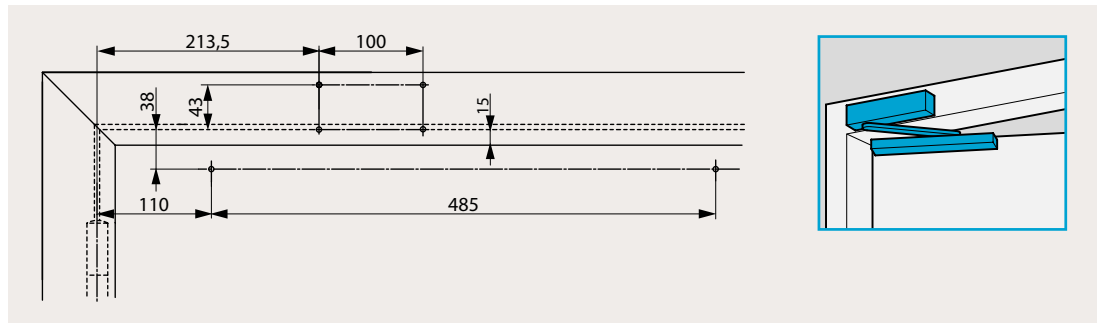
DC700G-FM

Space requirement, mounting dimensions and accessories



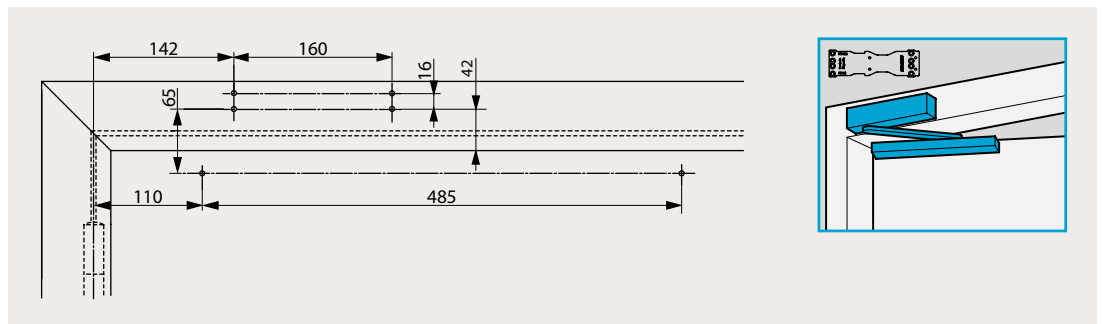
Direct frame mounting on non-hinge side

The drawing illustrates installation on right-handed doors. For left-handed doors, it is the reverse.

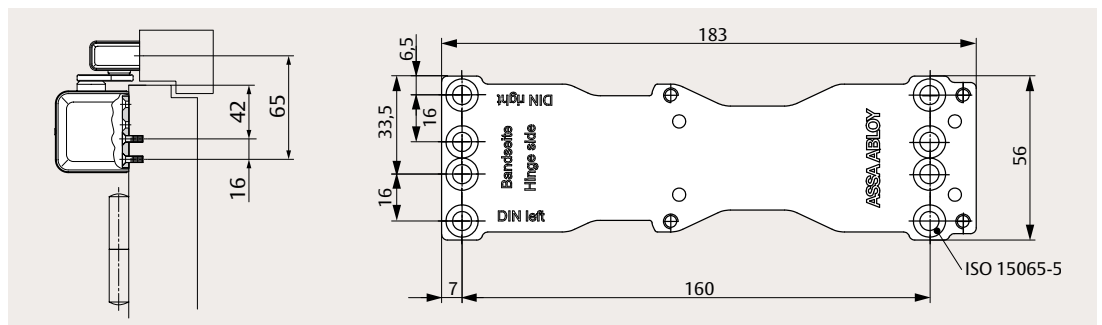


Mounting plate frame mounting on non-hinge side

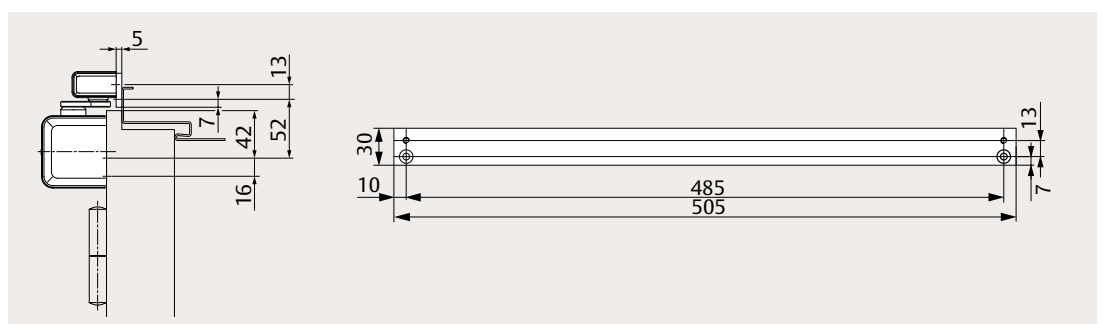
The drawing illustrates installation on right-handed doors. For left-handed doors, it is the reverse.



A120 mounting plate in compliance with EN 1154, supplement 1, or for doors where direct mounting is not possible



A130 mounting plate for guide rail



DC700G-FM

Order information



Door closers

DC700G-FMB, door leaf mounting with cable and connection box, EN size 3-6, silver, EV1	DC700FMB--DEV1-
DC700G-FMB, door leaf mounting with cable and connection box, EN size 3-6, white, similar to RAL 9016	DC700FMB--D9016
DC700G-FMB, door leaf mounting with cable and connection box, EN size 3-6, stainless steel design	DC700FMB--D35--
DC700G-FMB, door leaf mounting with cable and connection box, EN size 3-6, customized finish	DC700FMB--DXXXX
DC700G-FM, frame mounting, EN size 3-6, silver, EV1	DC700FM---DEV1-
DC700G-FM, frame mounting, EN size 3-6, white, similar to RAL 9016	DC700FM---D9016
DC700G-FM, frame mounting, EN size 3-6, stainless steel design	DC700FM---D35--
DC700G-FM, frame mounting, EN size 3-6, customized finish	DC700FM---DXXXX

Guide rails

Guide rail G795, silver, EV1	DCG795----DEV1-
Guide rail G795, white, similar to RAL 9016	DCG795----D9016
Guide rail G795, stainless steel	DCG795----D35--
Guide rail G795, customized finish	DCG795----DXXXX

Accessories

Mounting plate A120, galvanized	DCA120-----40
Mounting plate A130, silver, EV1	DCA130----EV1-
Mounting plate A130, white, similar to RAL 9016	DCA130----9016
Mounting plate A130, customized finish	DCA130----XXXX
Mechanical opening damper A153	DCA153-----
Connection box A189	DCA189-----
Interrupter push-button 1316-10, surface-mounted	1316-10-----00
Interrupter push-button 1317-10, flush-mounted	1317-10-----00
Smoke detector station RZ100, silver, EV1	DCRZ100---DEV1-
Smoke detector station RZ100, white, similar to RAL 9016	DCRZ100---D9016
Smoke detector station RZ100, stainless steel design	DCRZ100---D35--
Smoke detector station RZ100, customized finish	DCRZ100---DXXXX
Ceiling mounted smoke detector ORS 142 with base, white, similar to RAL 9010	DCRZ101----9010

Silver, EV1



White, similar to RAL 9016



Stainless steel design



G795



A120



A130



A153



A189



1316-10



1317-10



RZ100



ORS 142



The ASSA ABLOY Group is the global leader in access solutions. Every day, we help billions of people experience a more open world.

ASSA ABLOY Opening Solutions leads the development within door openings and products for access solutions in homes, businesses and institutions. Our offering includes doors, door and window hardware, locks, access control and service.

ASSA ABLOY
Opening Solutions

ASSA ABLOY Opening Solutions EMEA
Dukes Court
Dukes Street
Woking
GU21 5BH
United Kingdom
assaabloy.com