

DC700 G- FT Cam Motion security door closer

Security door closer with Cam-Motion® technology, integrated latch bolt and escape door strike

Security door closer with Cam-Motion® technology, integrated latch bolt and escape door strike

Product description

- ASSA ABLOY door closer with Cam-Motion® technology, extended mounting plate and integrated latch bolt, extended guide rail with integrated escape door strike
- Suitable for retrofit to fire doors with guide rail door closers and fastening using drilling template acc. to DIN EN 1154, Supplementary Sheet 1:2003-11
- Certified in compliance with EN 1154, size 3-6
- Escape door strike 332®, tested in compliance with the guideline for electrical locking systems for doors along escape routes
- For single leaf doors, doors between 850 - 1,200 mm wide

Overview of Advantages

- Standard colours: silver EV1, stainless steel
- Integrated latch bolt 807 on extended mounting plate
- With 4 m connecting cable
- Flush or surface installation of wiring possible
- Suitable for fire and smoke protection doors
- Suitable for left and right handed doors
- Standard installation on hinge side
- Variable adjustable closing force
- Closing speed, latching speed and backcheck continuously adjustable
- Thermodynamic valves for consistent performance
- Door closer axis height continuously adjustable by 14 mm
- Standard colours: silver EV1

Characteristics of guide rail

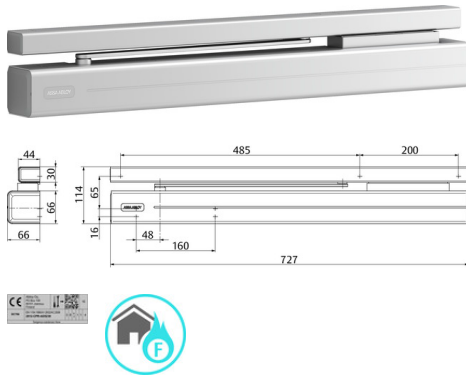
- Height adjustable by 2 mm for tolerance
- Concealed fixing screws

Performance characteristics escape door lock

- Holding force of 2000 N
- Latch position continuously adjustable between 12 mm and 17 mm
- Latch position adjustable horizontally between -3 mm and +6 mm
- Latch bolt can be adjusted vertically in 4 mm increments (-4/ 0/ +4/ +8)
- Escape door strike using FaFix®, adjustable by 2 mm (0.5 mm steps)

Technical data

Rated voltage	12 V DC
Rated operating voltage tolerance	+/- 10 % range
Rated current	190 mA
Closing force	EN 3-6
Door width up to	850-1200 mm
Suitable for fire doors	Yes
DIN-direction	Left / right handed
Mounting method	Standard installation on hinge side
Closing speed	Variable between 170°-10°
Latching speed	Variable between 10°-0°
Backcheck effect	Variable above 75°
Max. door opening angle hinge side	ca. 170°
Operating temperature range	-15 °C to +40 °C
Holding force	2000 N
Armature contact	Yes
Recovery diode	Yes
Dimensions door closer	727 x 66 x 66 mm
Dimensions guide rail	727 x 30 x 44 mm
Weight	8.2 kg
Colour	Silver EV1



DC700 G- FT Cam Motion security door closer

Security door closer with Cam-Motion® technology, integrated latch bolt and escape door strike

CE marking for building products Yes

Certified in compliance with Door closer: DIN EN 1154 / escape door strike: EltVTR

System certification in compliance effeff escape door control units with EltVTR

Accessories/Individual parts

Order number	Product
DCFA01-----EV1-	Spacer plate FA01 For DC700G-FT, for thin rebate doors, 5 mm, silver EV1
DCFA02-----EV1-	Spacer plate FA02 For DC700G-FT, for thick rebate doors, 15 mm, silver EV1
DCFA04-----EV1-	Replacement plate FA04 For competitor's guide rail drilling template, 15 mm, silver EV1
DCFA05-----EV1-	Mounting and replacement plate FA05 For DC700G-FT, narrow frame, 5 mm, silver EV1
DCFA06-----EV1-	Mounting and replacement plate FA06 For DC700G-FT, narrow frame, 15 mm, silver EV1
DCA188-----	Backcheck A188 For slide rail G-E / G-S / G-S-M / G-FMS / G-FT / G150 / G-CO / G-CO-C / G-CO-E / G-CO-CE / G-CO-S / G-CO-S-M / G-CO-CS / G-CO-CM / G-CO-FMS / DC700G-CO-FT
Article number	DC700FT0-EDEV1-
EAN	4042203690134