



**ASSA ABLOY DC336**

- Rack and pinion closer with link arm L190 or with height-adjustable guide rail G195 or standard guide rail G193
- Certified in compliance with EN 1154, size 3-6 with L190/191 (size 2-3 with G195/G193) Suitable for fire and smoke protection doors
- For single action doors up to 1400 mm wide L190/ L191 (up to 950 mm with G195/G193)

**Characteristics DC336**

- Can be used with integrated concealed mounting plate, suitable for fire and smoke protection doors
- Can be used for left and right-handed doors
- Link arm and guide rails height-adjustable up to 14 mm
- Closing speed, latching speed and backcheck adjustable via front facing regulating valves
- Thermodynamic valves for consistent performance
- Variable adjustable closing force
- Opening angle up to 180°
- Effective backcheck and latching speed range adjustable
- Large range of applications
- Standard colours: silver EV1; white, similar to RAL9016; brown, similar to RAL8014; black, similar to RAL9005
- Customized finishes available on request

**Characteristics for hold open link arm L191**

- Hold-open angle adjustable up to 150°
- Hold-open mode can be enabled and disabled as required
- Same installation as link arm
- Cannot be used with fire and smoke protection doors

**Characteristics of Guide rail G195**

- Height-adjustable by 2 mm for tolerance
- Concealed fastening screws
- Installation dimensions: see diagram

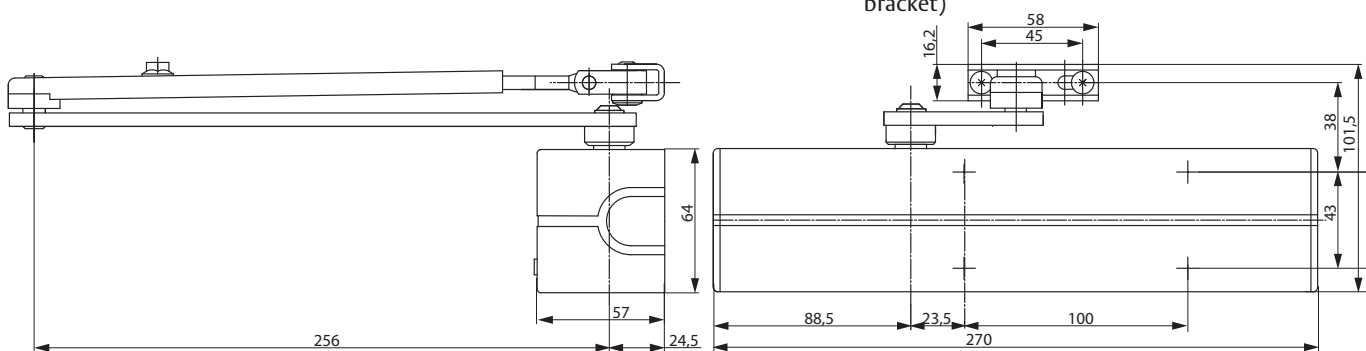
**Characteristics of Guide rail G193**

- Without protective cover
- Visible fastening screws
- Installation dimensions: see diagram (dimensions in bracket)



CE	Abloy Oy PO Box 108 80101 Joensuu, Finland	12
	1162-CPD-0252 EN 1154:1996+A1:2002 4 8 <sup>6</sup> / <sub>3</sub> 1 1 3	

CE	Abloy Oy PO Box 108 80101 Joensuu, Finland	12
	1162-CPD-0252 EN 1154:1996+A1:2002 4 8 <sup>3</sup> / <sub>2</sub> 1 1 3	



## Technical attributes

Technical attributes	
Variable adjustable closing force (link arm / guide rail)	EN 3-6 / EN 2-3
Door width up to	1400 / 950 mm
Fire and smoke protection	Yes
Door swing directions	Left / right handed
Closing speed	Variable between 180°-0°
Latching speed	Variable between 15°-0°
Backcheck	Variable above 75°
Hold-open mode (with hold-open link arm L191)	Adjustable 75°-150°, can be enabled and disabled
Weight	1.9kg
Height	64 mm
Depth	57 mm
Length	270 mm
Certified in compliance with	EN 1154
CE marking for building products	Yes

## The advantages at a glance

Customer segment	Advantages
<b>Project planners</b>	<ul style="list-style-type: none"> <li>- Extensive range of uses: Fire and smoke protection doors as well as standard doors</li> <li>- Modern design</li> <li>- Compact design</li> <li>- Fulfills barrier-free building requirements</li> <li>- Same dimensions and design with and without mounting plate</li> </ul>
<b>Builders</b>	<ul style="list-style-type: none"> <li>- One drilling template overall</li> <li>- Adjustable to nearly all door and frame types</li> <li>- Quick and easy installation</li> <li>- Quickly and easily adjustable</li> <li>- Suitable for left and right handed doors, in both door and frame mounted applications</li> </ul>
<b>Trade</b>	<ul style="list-style-type: none"> <li>- Reduced inventory costs due to modular product range</li> <li>- One single product suitable for a large variety of mounting positions</li> <li>- Complementary accessories available for the whole product range</li> </ul>
<b>User</b>	<ul style="list-style-type: none"> <li>- Largely unaffected by temperature fluctuations thanks to thermodynamic valves</li> <li>- Easier door opening and improved accessibility due to rapidly decreasing torque</li> <li>- Backcheck feature offers optimum protection for doors and walls</li> </ul>

## Specifications for DC336

- ASSA ABLOY Door Closer DC336 featuring rack and pinion technology in compliance with EN 1154
- Closing power variable adjustable, EN size 3-6 / 2-3 for doors up to 1400 / 950 mm wide (link arm / guide rail)
  - Closing speed, latching speed and backcheck adjustable via front facing regulating valves
  - Can be used with integrated concealed mounting plate, suitable for fire and smoke protection doors
  - CE approved
  - 14 mm height adjustable arm system for ease of fitting
  - Suitable for left and right handed doors

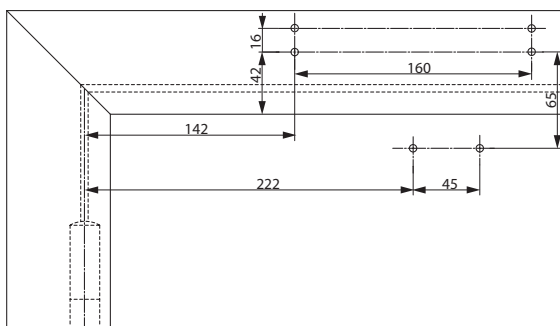
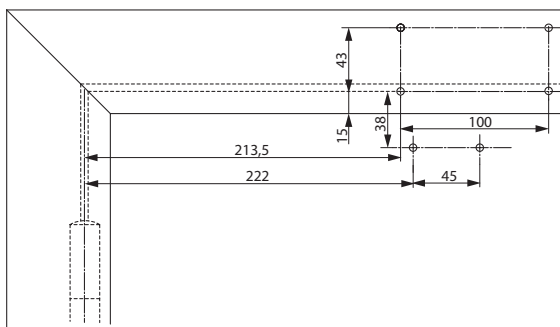
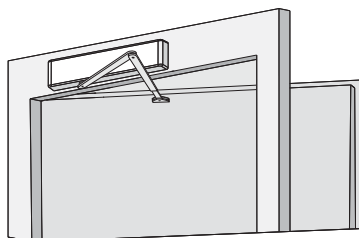
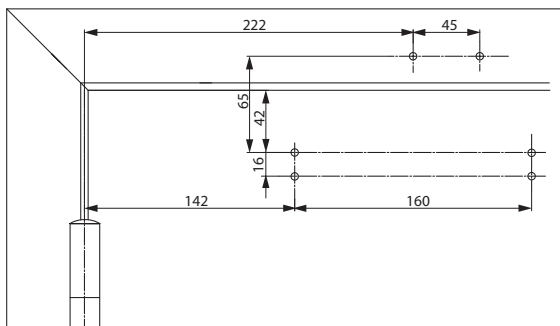
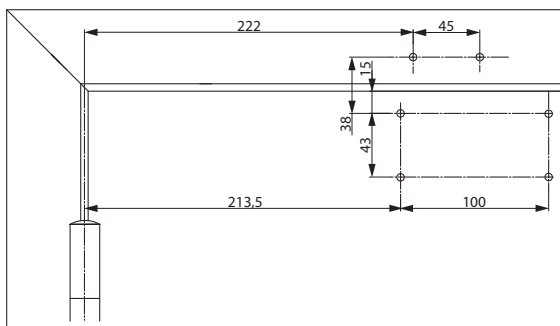
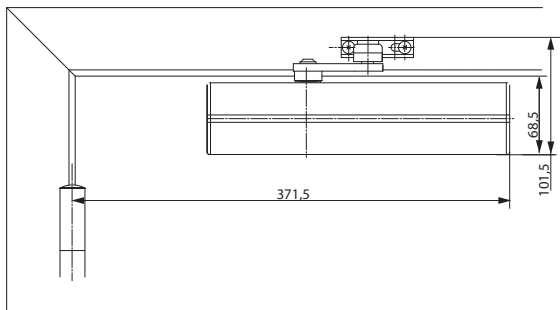
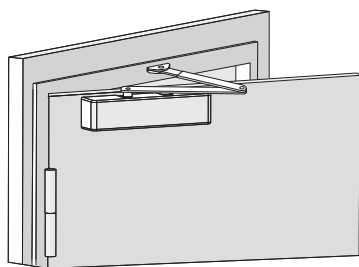
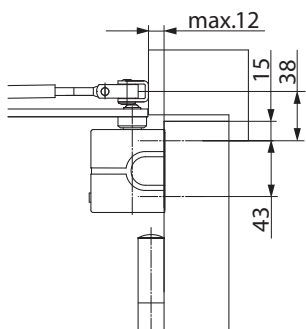
## Accessories:

- Link arm L190
  - Hold-open link arm L191
  - Height-adjustable guide rail G195
  - Standard guide rail G193
  - Mounting plate A120
  - Parallel arm bracket A154
  - Mounting plate A130 for guide rails
  - Angle bracket A104 for guide rail G193
  - Mechanical opening damper A153 for guide rails
  - Mechanical hold open device A152 for guide rails (not for fire and smoke protection doors)
- Colour:
- Silver EV1
  - White, similar to RAL9016
  - Brown, similar to RAL8014
  - Black, similar to RAL9005
  - Customized finish

Our service for you: here you can see the individual advantages of our door closer models for your respective field of business.

You can find the complete specification on the internet at: (Link of your companies homepage)

Dimensional drawings



Required space on doors

Left handed shown in diagram  
Right handed is the reverse

Installation dimensions for direct mounting

Left handed shown in diagram  
Right handed is the reverse

Installation dimensions with mounting plate

In compliance with EN 1154, Supplement 1, or for doors where direct mounting is not possible. Left handed shown in diagram  
Right handed is the reverse

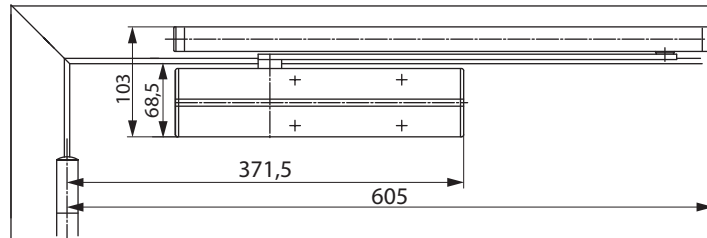
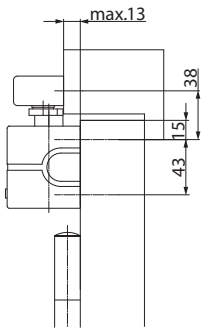
Frame mounting

Closer on non-hinge side of door frame  
Right handed door shown in diagram  
Left handed door is the reverse

Installation dimensions with mounting plate for frame mounting

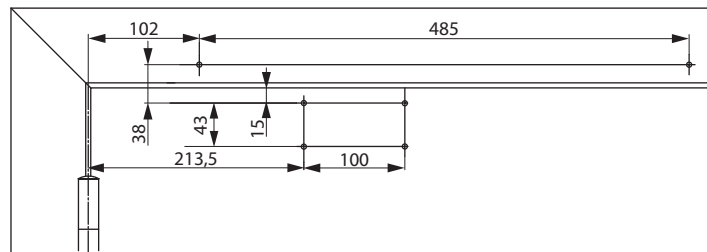
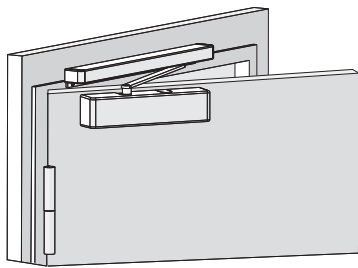
Closer on non-hinge side of door frame. For doors where direct mounting is not possible. Right handed door shown in diagram  
Left handed door is the reverse

# DC336 Dimensional drawings



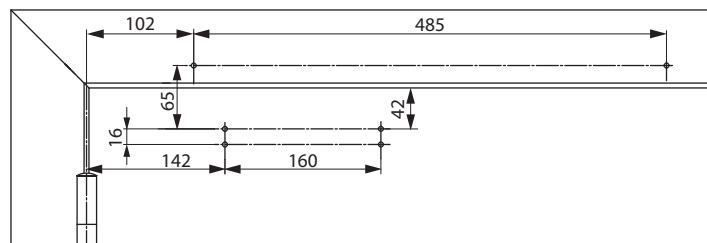
Space required on doors for standard installation on hinge side

Left handed shown in diagram  
Right handed is the reverse



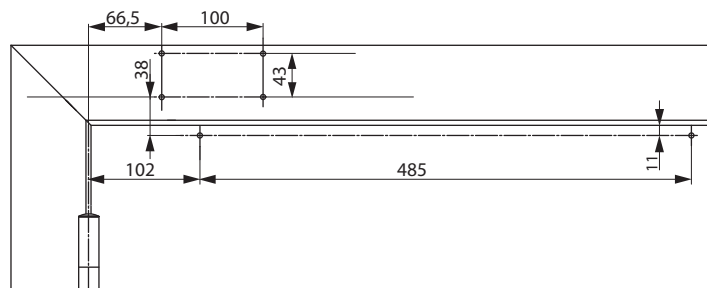
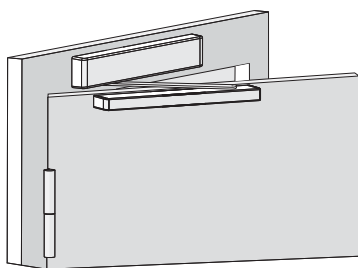
Installation dimensions for direct standard mounting on hinge side

Left handed shown in diagram  
Right handed is the reverse



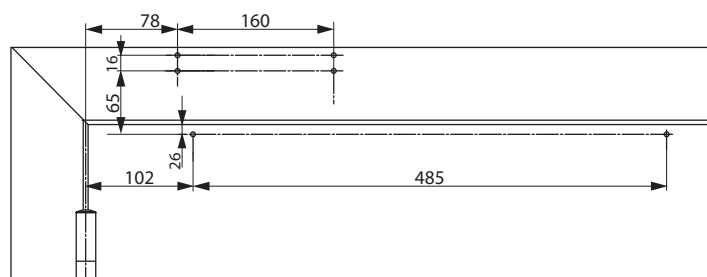
Installation dimensions with mounting plate for standard mounting on hinge side

In compliance with EN 1154, Supplement 1, or for doors where direct mounting is not possible.  
Left handed shown in diagram  
Right handed is the reverse



Installation dimensions for direct frame mounting on hinge side

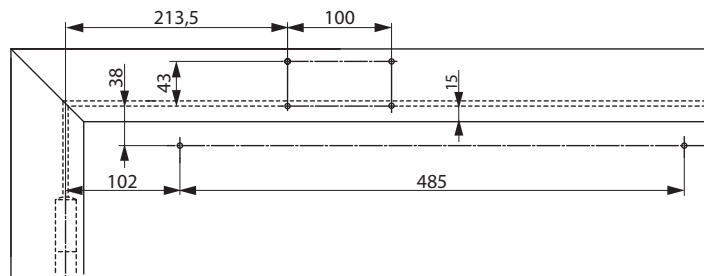
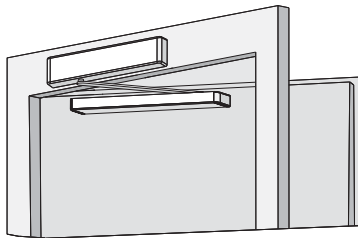
Closer on hinge side of door frame.  
Left handed shown in diagram  
Right handed is the reverse



Installation dimensions with mounting plate for frame mounting on hinge side

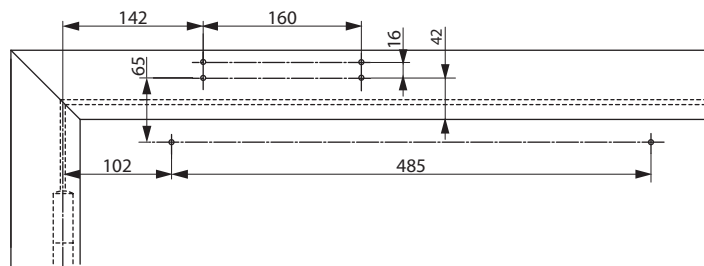
Closer on hinge side of door frame. For doors where direct mounting is not possible.  
Left handed shown in diagram  
Right handed is the reverse

# DC336 Dimensional drawings



Installation dimensions when mounted directly onto the frame non-hinge side

Closer on non-hinge side of door frame  
Right handed door shown in diagram  
Left handed door is the reverse

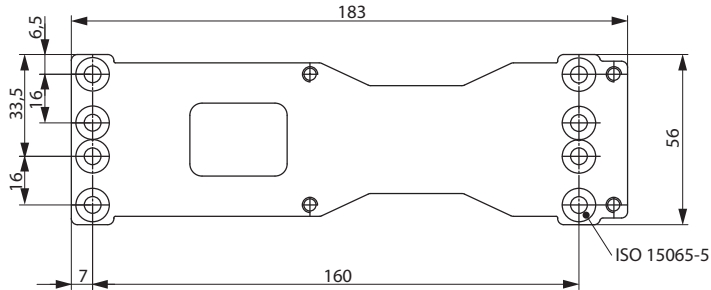
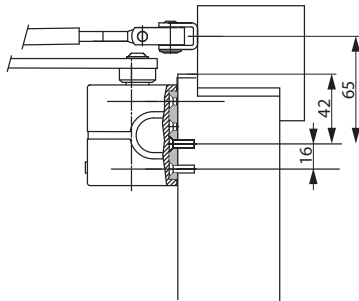


Installation dimensions with mounting plate for frame mounting non-hinge side

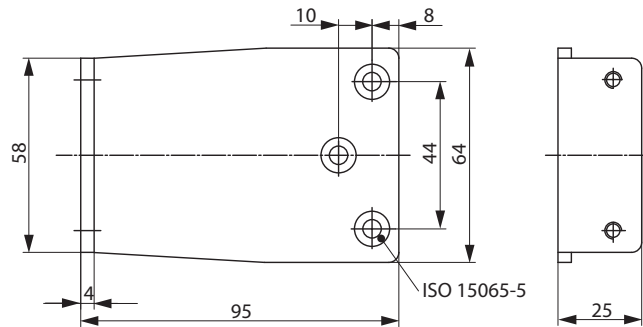
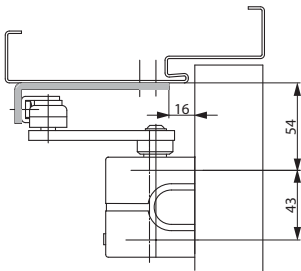
Closer on non-hinge side of door frame. For doors where direct mounting is not possible.  
Right handed door shown in diagram  
Left handed door is the reverse

# DC336

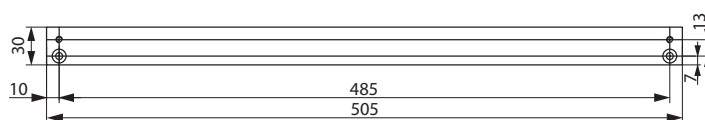
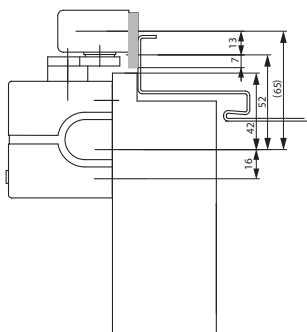
## Accessories



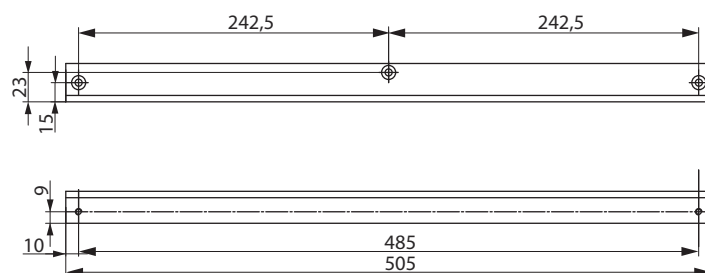
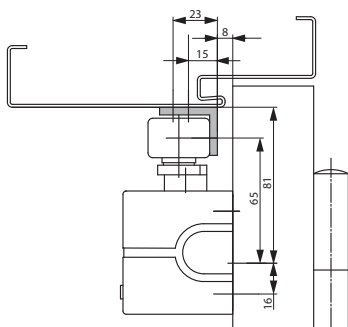
**Mounting plate A120**  
For mounting with drilling template acc. to EN 1154 Supplement 1 (fire and smoke protection doors) and for universal use



**Parallel arm bracket A154**  
For Parallel Arm installation. Check suitability for use on fire and smoke protection doors.



**Mounting plate A130**  
For guide rail G193 and G195



**Angle bracket A104**  
Only for standard guide rail G193

# DC336

## Accessories

### Hold open device A152

Mechanical hold-open device for doors which sometimes need to be secured in the open position.

Simple fitting into guide rail G193 and G195.

Hold open angle max. 130°.

Adjustable hold-open force.

Not approved for use on fire and smoke protection doors.



### Opening damper A153

Helps to prevent the door and door handle from hitting a return wall.

Simple fitting into guide rail G193 and G195.

Opening damper continuously adjustable up to an opening angle of max. 130°.

Does not replace a door stop.



Description	Order no.	Description	Order no.
DC336, EN size 3-5, silver EV1		Guide rail G195, silver, EV1	
DC336, EN size 3-5, white, similar to RAL9016		Guide rail G195, white, similar to RAL9016	
DC336, EN size 3-5, brown, similar to RAL8014		Guide rail G195, brown, similar to RAL8014	
DC336, EN size 3-5, black, similar to RAL9005		Guide rail G195, black, similar to 9005	
DC336, EN size 3-5, customized finish		Guide rail G195, customized finish	
Link arm L190, silver EV1		Hold open device A152	
Link arm L190, white, similar to RAL9016		Opening damper A153	
Link arm L190, brown, similar to RAL8014		Mounting plate A120, galvanised	
Link arm L190, black, similar to RAL9005		Parallel arm bracket A154, silver EV1	
Link arm L190, customized finish		Parallel arm bracket A154, white, similar to RAL9016	
Hold-open link arm L191, silver EV1		Parallel arm bracket A154, brown, similar to RAL8014	
Hold-open link arm L191, white, similar to RAL9016		Parallel arm bracket A154, black, similar to RAL9005	
Hold-open link arm L191, brown, similar to RAL8014		Parallel arm bracket A154, customized finish	
Hold-open link arm L191, black, similar to RAL9005		Mounting plate A130 for guide rails, silver EV1	
Hold-open link arm L191, customized finish		Angle bracket A104 for guide rail G193, silver EV1	
Guide rail G193, silver EV1			
Guide rail G193, white, similar to RAL9016			
Guide rail G193, brown, similar to RAL8014			
Guide rail G193, black, similar to RAL9005			