

DC120



ASSA ABLOY DC120

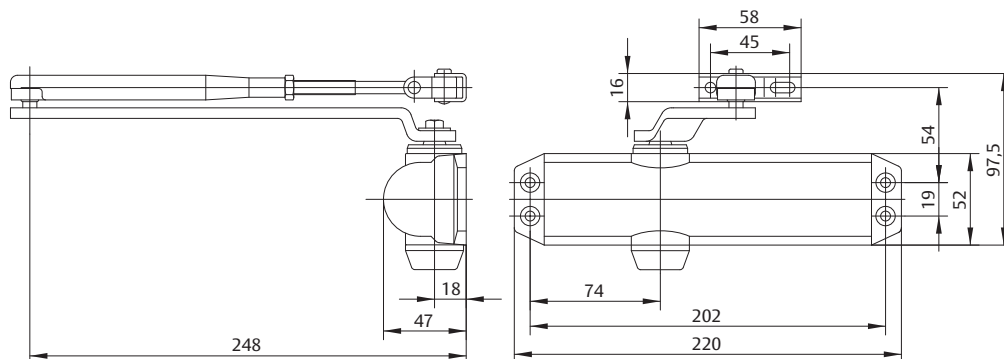
- Rack and pinion door closer with link arm
- Certified in compliance with DIN EN 1154, size 2/3 (4)
- For single action doors up to 950 mm (1,100 mm)

Characteristics DC120

- Can be used for left and right-hand doors
- Suitable for fire and smoke protection doors
- Closing speed, latching speed and backcheck continuously adjustable using regulation valves
- Thermodynamic valves for consistent performance
- Closing force configurable
- Opening angle up to 180° (105°)
- Standard colours: silver EV1; white, similar to RAL9016; brown, similar to RAL8014; black, similar to RAL9005



CE	ASSA ABLOY Sicherheitstechnik GmbH Bildstockstraße 20 72458 Albstadt	11							
	1162-CPD-0535		EN 1154:1996+A1:2002 +AC:2006	4	8	2/3/4	1	1	4
Dangerous substances: None									



Here you can see the individual advantages of our door closer models for your respective field of business.

The advantages at a glance

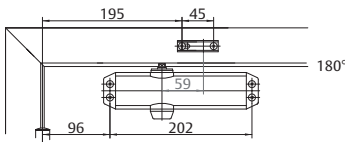
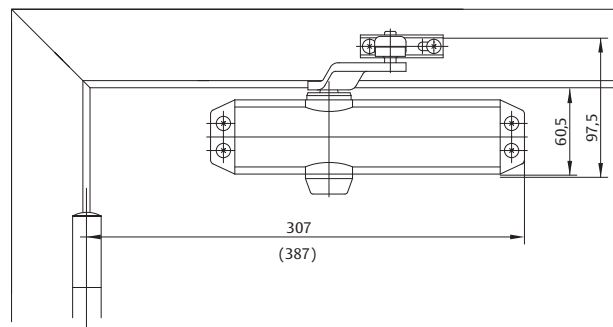
Customer segment	Advantages
Architects & specifiers	- Compact design - Favourably priced, reliable closer model
Builders & installers	- Quick and easy installation - Suitable for left and right hand doors - Easy to adjust
Trade	- Inexpensive closer model for standard doors - All-inclusive package with door closer and link arm
User	- Largely unaffected by temperature fluctuations thanks to thermodynamic valves - Backcheck feature offers optimum protection for doors and walls

DC120

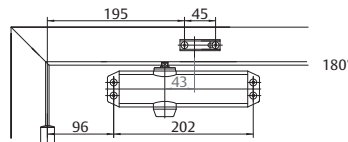
Technical attributes

Technical attributes	
Closing force configurable	EN 2/3 (4)
Door widths up to	950 mm (1,100 mm)
Fire and smoke protection	yes
DIN door swing directions	left / right hand door
Closing speed	Variable between 180°-0°
Latching speed	Variable between 15°-0°
Backcheck	Variable above 75°
Weight	1.6 kg
Height	52 mm
Depth	47 mm
Length	220 mm
Certified in compliance with	DIN EN 1154
CE marking for building products	yes

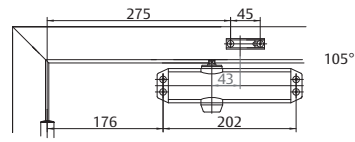
Required space on doors
left hand shown in diagram
right hand is the reverse



Installation dimensions EN2



Installation dimensions EN3



Installation dimensions EN4

You can find the complete specifications on the Internet at: www.assaabloy.de, under „Service“ in the support section.

Specifications for DC120

ASSA ABLOY Door Closer DC120 featuring rack & pinion technology in compliance with DIN EN 1154

- Closing force configurable, EN size 2/3 (4), for doors up to 950 mm (1,100 mm) wide
- Closing speed, latching speed and backcheck continuously adjustable
- Suitable for fire and smoke protection doors
- With CE marking
- Suitable for left and right hand doors

Colour:

- Silver EV1
- White, similar to RAL9016
- Brown, similar to RAL8014
- Black, similar to RAL9005

Description	Order no.
DC120 EN, size 2/3 (4), silver EV1	
DC120 EN, size 2/3 (4), white, similar to RAL 9016	
DC120 EN size 2/3 (4), brown, similar to RAL8014	
DC120 EN size 2/3 (4), black, similar to RAL9005	

DC130



ASSA ABLOY DC130

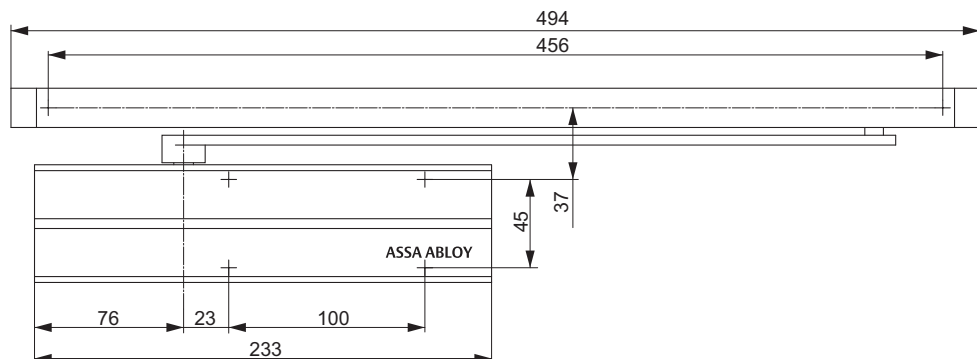
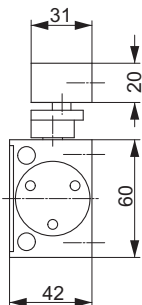
- Rack and pinion door closer with link arm
- Certified in compliance with DIN EN 1154, size 3
- For single action doors up to 950 mm

Characteristics DC130

- Can be used for left and right-hand doors
- Suitable for fire and smoke protection doors
- Closing speed, latching speed and backcheck continuously adjustable using regulation valves
- Thermodynamic valves for consistent performance
- Standard colours: silver EV1; white, similar to RAL9016; black, similar to RAL9005



CE	ASSA ABLOY AUBE ANJOU 10 avenue de L'Europe Parc d'Enterprises du Grand Troyes 10300 Sainte Savine	04
	1121-CPD-AD0021 EN 1154:1996+A1:2002	4 8 3 1 1 3
Dangerous substances: None		



Here you can see the individual advantages of our door closer models for your respective field of business.

The advantages at a glance

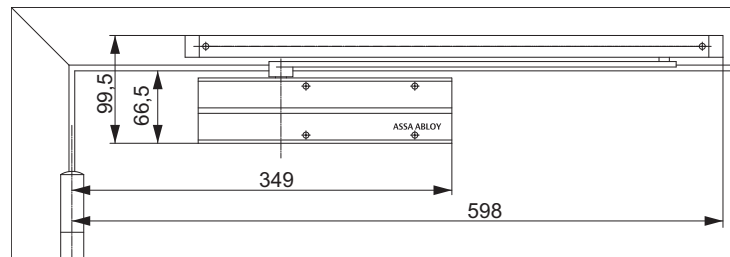
Customer segment	Advantages
Architects & specifiers	- Inexpensive guide rail door closer - Compact design
Builders & installers	- Quick and easy installation - Suitable for left and right hand doors - Easy to adjust
Trade	- Inexpensive closer model for standard doors - All-inclusive package with door closer and guide rail
User	- Thermodynamic valves - Backcheck feature offers optimum protection for doors and walls

DC130

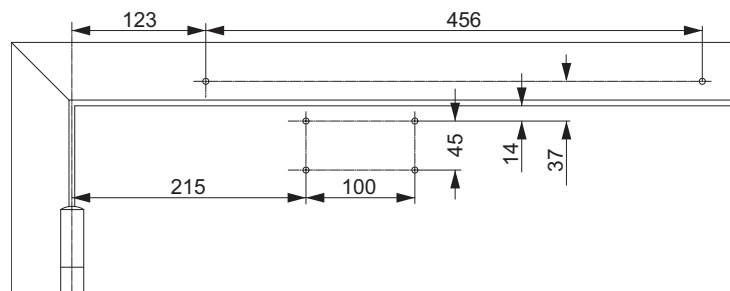
Technical attributes

Technical attributes	
Closing force	EN 3
Door widths up to	950 mm
Fire and smoke protection	yes
DIN door swing directions	left / right hand door
Closing speed	Variable between 180°-0°
Latching speed	Variable between 15°-0°
Backcheck	Variable above 75°
Weight	2.4 kg
Height	60 mm
Depth	42 mm
Length	233 mm
Certified in compliance with	EN 1154
CE marking for building products	yes

Required space on doors
left hand shown in diagram
right hand is the reverse



Installation dimensions
Installation dimensions
EN3



You can find the complete specifications on the Internet at: www.assaabloy.de, under „Service“ in the support section.

Specifications for DC130

ASSA ABLOY Door Closer DC130 featuring rack & pinion technology in compliance with DIN EN 1154

- Closing force EN size 3, for doors up to 950 mm wide
- Closing speed, latching speed and backcheck continuously adjustable
- Suitable for fire and smoke protection doors
- With CE marking
- Suitable for left and right hand doors

Colour:

- Silver EV1
- White, similar to RAL9016
- Black, similar to RAL9005

Description	Order no.
DC130 EN, size 3, silver EV1	
DC130 EN size 3, white, similar to RAL9016	
DC130 EN size 3, black, similar to RAL9005	
Mechanical hold open device A163	

DC140



ASSA ABLOY DC140

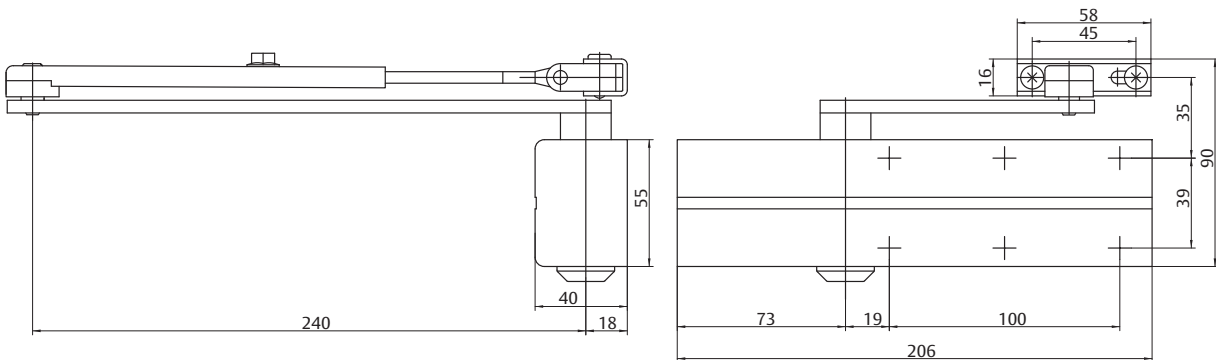
- Rack and pinion door closer with link arm
- Certified in compliance with DIN EN 1154, size 2/3/4
- For single action doors up to 1,100 mm wide

Characteristics DC140

- Can be used for left and right-hand doors
- Suitable for fire and smoke protection doors
- Closing speed, latching speed and backcheck continuously adjustable using regulation valves
- Thermodynamic valves for consistent performance
- Closing force configurable
- Opening angle up to 180°
- Standard colours: silver EV1; white, similar to RAL9016; brown, similar to RAL8014; black, similar to RAL9005



CE	ASSA ABLOY Sicherheitstechnik GmbH Bildstockstraße 20 72458 Albstadt	11
	1162-CPD-0534	EN 1154:1996+A1:2002 +AC:2006
Dangerous substances: None		



Here you can see the individual advantages of our door closer models for your respective field of business.

The advantages at a glance

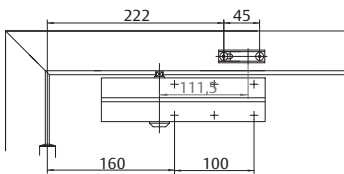
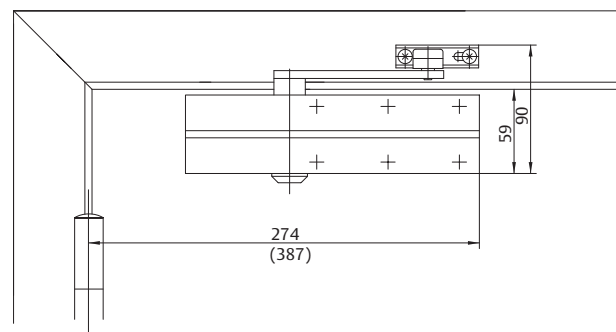
Customer segment	Advantages
Architects & specifiers	- Compact design - Modern design - Favourably priced, reliable closer model
Builders & installers	- Quick and easy installation - Can be used for left and right-hand doors - Easy to adjust
Trade	- Inexpensive closer model for standard doors - All-inclusive package with door closer and link arm
User	- Largely unaffected by temperature fluctuations thanks to thermodynamic valves - Backcheck feature offers optimum protection for doors and walls

DC140

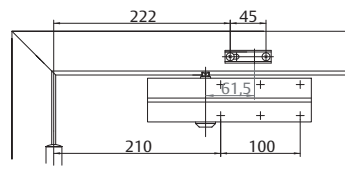
Technical attributes

Technical attributes	
Closing force configurable	EN 2/3/4
Door widths up to	1100 mm
Fire and smoke protection	yes
DIN door swing directions	left / right hand door
Closing speed	Variable between 180°-0°
Latching speed	Variable between 15°-0°
Backcheck	Variable above 75°
Weight	1.75 kg
Height	55 mm
Depth	40 mm
Length	206 mm
Certified in compliance with	EN 1154
CE marking for building products	yes

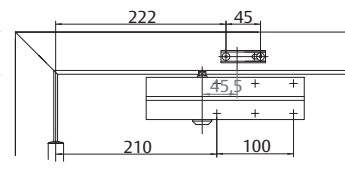
Required space on doors
left hand shown in diagram
right hand is the reverse



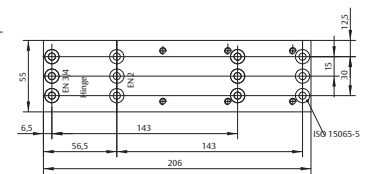
Installation dimensions EN2



Installation dimensions EN3



Installation dimensions EN4



Mounting Plate A161

You can find the complete specifications on the Internet at: www.assaabloy.de, under „Service“ in the support section.

Specifications for DC140

ASSA ABLOY Door Closer DC140 featuring rack & pinion technology in compliance with DIN EN 1154

- Closing force configurable, EN size 2/3/4, for doors up to 1,100 mm wide
- Closing speed, latching speed and backcheck continuously adjustable
- Suitable for fire and smoke protection doors
- With CE marking
- Suitable for left and right hand doors

Colour:

- Silver EV1
- White, similar to RAL9016
- Brown, similar to RAL8014
- Black, similar to RAL9005

Description	Order no.
DC140 EN, size 2/3 (4), silver EV1	
DC140 EN size 2/3/4, white, similar to RAL9016	
DC140 EN size 2/3/4, brown, similar to RAL8014	
DC140 EN size 2/3/4, black, similar to RAL9005	

Description	Order no.
Mounting Plate A161, silver EV1	
Mounting Plate A161, white, similar to RAL9016	
Mounting Plate A161, brown, similar to RAL8014	
Mounting Plate A161, black, similar to RAL9005	