

ABLOY® CY333

DIN / Europrofile cylinder with thumbturn



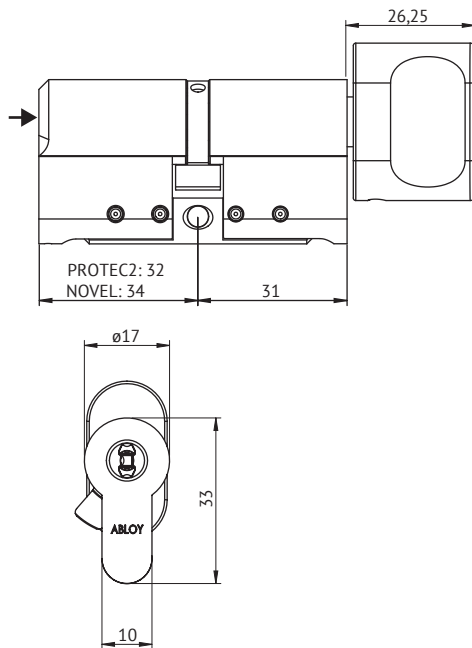
Product description

Cylinder with thumbturn to be used with mortice lock cases with DIN / Europrofile cylinder dimensions.

Lock is operated by key from outside and by thumbturn inside.

Overview of Advantages

- Can be use with wide range applications for DIN cylinders
- Strong burglary protection
- Suitable for both outer and inner door use
- Adjustable length with extension system to match different door thicknesses
- Adjustable locked position of cam
- Several plating options



Technical data

Available key systems	ABLOY PROTEC2, ABLOY NOVEL
Available plating options	Bright chrome (Cr), Satin chrome (HCr), Brushed nickel (NiHa), Bright brass (MSKiLa), Satin brass (MSHaLa)
Cylinder cross section according standard DIN 18252	
Cylinder length	PROTEC2 32mm, NOVEL 34mm
Length adjustable	with 5mm steps 32–82mm, and with 10mm steps 82–132mm
Suitable for fire doors	Yes
EN 1303:2015 classification	Key related security 6, attack resistance D
Weight	0.29 kg

We reserve the right to make alterations to the products described in this leaflet.