

## ABLOY® CY029

### Double cylinder for solid interior door



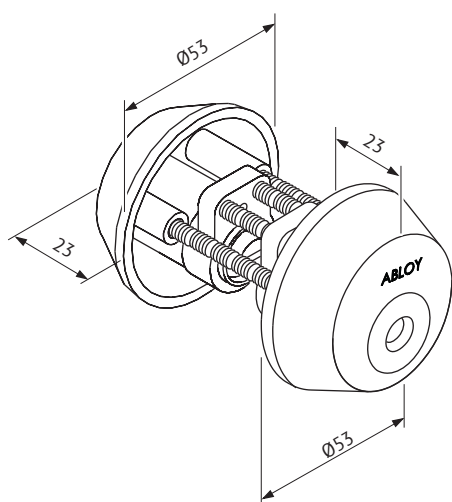
#### Product description

Finnish type double cylinder to be used with mortice lock cases for standard interior doors, both mechanical and electric lock cases.

Is operated outside and inside by a key.

#### Overview of Advantages

- Can be use with wide range of Finnish type mortice lock cases for standard doors
- Suitable for inner door use
- Adjustable during installation to match different door thicknesses
- Several plating options, also antimicrobial paints



#### Technical data

|                           |   |
|---------------------------|---|
| Available key systems     | ABLOY PROTEC, ABLOY PROTEC <sup>2</sup> , ABLOY NOVEL, ABLOY SENTO, ABLOY EASY, ABLOY CLASSIC                           |
| Available plating options | Bright chrome (Cr),<br>Satin chrome (HCr),<br>Bright brass (MSKiLa),<br>Satin brass (MSHaLa),<br>Brushed nickel (NiHa), |
| Cylinder ring diameter    | 52mm  |
| Cylinder ring height      | 23mm  |
| Weight                    | 0.6kg   |
| Possible door thicknesses | 42...152mm  |

This content is protected by Intellectual Property Rights Laws. The title to the content shall not pass to you, and instead shall remain with Abloy Oy or a third party holding the title. Abloy develops continuously the products and solutions offered. Therefore, the information contained in the document is subject to change without notice. ABLOY PROVIDES THIS CONTENT ON AN "AS IS" BASIS WITHOUT ANY WARRANTIES OF ANY KIND, EXPRESS, IMPLIED, OR STATUTORY."