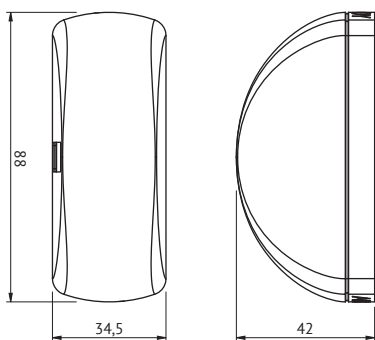


ABLOY® CH018 Dome and lifting plate



Product description

To be used when turning a regular thumbturn into an emergency only exit thumbturn. For lock cases with a shared torque wheel.



Technical data

Colour	Green
Weight	0,07 kg