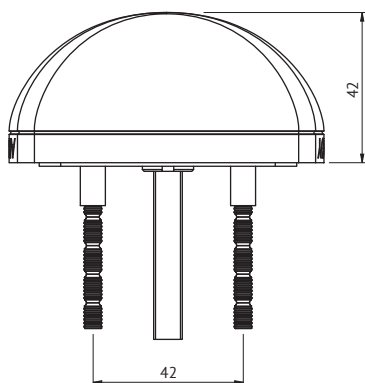
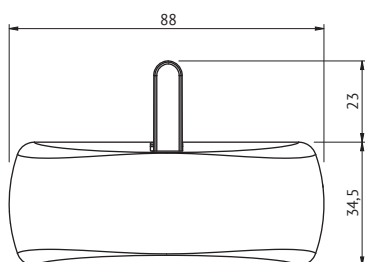


ABLOY® CH017 Exit thumbturn



Product description

Thumbturn is covered by a plastic cover which can be broken in an emergency. Available with multiple different surface treatments.



Technical data

Available plating options	Chrome (Cr), Satin chrome (HCr), Brushed nickel (NiHa)
Weight	0,2 kg

This content is protected by Intellectual Property Rights Laws. The title to the content shall not pass to you, and instead shall remain with Abloy Oy or a third party holding the title. Abloy develops continuously the products and solutions offered. Therefore, the information contained in the document is subject to change without notice. ABLOY PROVIDES THIS CONTENT ON AN "AS IS" BASIS WITHOUT ANY WARRANTIES OF ANY KIND, EXPRESS, IMPLIED, OR STATUTORY."