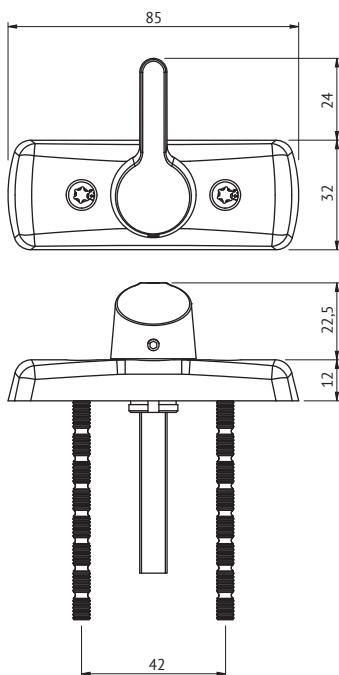


ABLOY® CH016 Thumbturn



Product description

Does not contain an exterior lock piece.
Available with multiple different surface treatments.



Technical data

Available plating options	Chrome (Cr), Satin chrome (HCr), Bright brass (MSKiLa), Satin brass (MSHaLa), Brushed nickel (NiHa), Antimicrobial-coating ACTIVE Val/Mus/Har/Gra
Weight	0,2 kg

This content is protected by Intellectual Property Rights Laws. The title to the content shall not pass to you, and instead shall remain with Abloy Oy or a third party holding the title. Abloy develops continuously the products and solutions offered. Therefore, the information contained in the document is subject to change without notice. ABLOY PROVIDES THIS CONTENT ON AN "AS IS" BASIS WITHOUT ANY WARRANTIES OF ANY KIND, EXPRESS, IMPLIED, OR STATUTORY."