

Australian Market Keying Products Catalogue



Experience a safer
and more open world



Australian Market Keying Product Catalogue

CONTENTS	PAGE
CYLINDER TECHNOLOGY	3
ABLOY PROTEC ²	5
ABLOY SENTRY	6
ABLOY CLIQ	7
ABLOY IN BRIEF	9
SCEC ENDORSED PRODUCTS	10
CONSTRUCTION CYLINDER	12
PADLOCKS	40
CAM LOCKS & OTHER INDUSTRIAL PRODUCTS	80
VEGA OFFICE LOCKS	105
CLIQ KEYS	128
CLIQ SOFTWARE	135
CLIQ ACCESSORIES	140
ABLOY ORDERING INFORMATION	146



CYLINDER TECHNOLOGY

Abloy Oy is known as the world's leading manufacturer of high security locks and developer of rotating disc technology cylinders.

The unique ABLOY cylinder mechanism, based on the use of rotating discs instead of traditional springs and pins, has been a symbol of high security and superior performance ever since its invention in 1907. The technology is widely known by security professionals as the world's premium high security locking solution and offers numerous unsurpassed features and benefits over other cylinder technologies.

While the core of the cylinder mechanism remains the same, the outer housing can be changed to meet the requirements of a multitude of applications. Our extensive product range means that we can secure

numerous applications, ranging from door environments to industrial functions and equipment. Products are designed and manufactured to meet and exceed requirements of several international, national and customer specific standards.

Continuous R&D is crucial when developing new cylinder systems to meet our customers' highest security needs. During the years, Abloy has provided high security and innovative patented cylinder platforms, all based on the rotating disc cylinder mechanism.

ABLOY CYLINDER SYSTEM EVOLUTION





FEATURES OF THE CYLINDER

RELIABLE also in extreme conditions on land and sea, as well as the coldest and hottest climates.

DURABLE, no springs and pins provide reliable function even in the most exposed locations.

HIGH LEVEL OF PROTECTION against manipulation.

TAILOR MADE master key systems for specific customer needs and applications.

ABLOY® PROTEC²

ABLOY® PROTEC² is the latest milestone in the development of the unique ABLOY® rotating disc cylinder keying system that offers several unsurpassed and superior security features and benefits.

ABLOY® PROTEC² is a keying system technology platform that can be used to create master key systems, key alike systems or to individually key a range of cylinder variations to suit most locks available in the Australian market. Extensive master keying capabilities and unsurpassed features and benefits offered by the rotating disc mechanism ABLOY® PROTEC² employs makes it the right choice for building or infrastructure projects large or small.

ABLOY® PROTEC² is SCEC Endorsed for Secure Area Applications.

ABLOY® professional high security solutions are used worldwide in:

- Government and Institutional
- Utilities
- Telecommunications
- Industrial plants
- Education
- Healthcare
- Museums and Galleries
- Corporate applications
- Transportation

FEATURES

- Patented until 2031
- Virtually pick proof design
- Fully resistant against bumping
- Durable design and smooth, reliable operation without pins and springs
- Extensive master key capabilities
- AWS™ Anti Wear System - A patented mechanism in the key and cylinder that prolongs the life cycle
- DBS™ Disc Blocking System - Unique disc blocking system, DBS™, works using return bars. DBS™ stops any attempt to manipulate discs individually in the cylinder by locking the discs together as one solid package, thereby eliminating any attempts to manipulate or bypass the cylinder
- Rear Loaded Cylinder - Increases security of cylinder against attack
- Key - The ABLOY® PROTEC² all metal key is a symmetrical design offering convenience and ease of use
- Able to be upgraded to ABLOY® PROTEC² CLIQ



ABLOY® SENTRY

Security for extreme environments



ABLOY SENTRY is a new evolution of the unique ABLOY rotating disc technology that provides a smooth and reliable function in every environment.

ABLOY SENTRY is a patented cylinder platform specifically designed for professional end users and original equipment manufacturers. It is an ideal solution whenever high security and resistance in harsh conditions is needed. ABLOY SENTRY is offered in a range of cam locks, cabinet locks and padlocks.

With ABLOY SENTRY your security is ensured today as well as into the future. ABLOY SENTRY worldwide patents are valid until 2027.

IDEAL SOLUTION FOR:

- > Transportation
- > Government and defence
- > Telecom industry
- > Mining industry
- > Water industry
- > Power industry
- > Vending, gaming
- > Showcases, museums

FEATURES:

- > Patented until 2027
- > Fully resistant against bumping
- > Durable design and smooth operation without pins and springs
- > AWS™ Anti Wear System – A patented mechanism in the key and cylinder that prolongs the life cycle
- > Key – The ABLOY SENTRY all metal key is a symmetrical design offering convenience and ease of use



The multi-award winning **ABLOY**[®] PROTEC CLIQ and CLIQ WEB MANAGER with CLIQ REMOTE is a combination of the proven, SCEC endorsed **ABLOY**[®] PROTEC mechanical keying system and the CLIQ electronics developed by ASSA ABLOY.

Our latest milestone in the products evolution is **ABLOY**[®] PROTEC² CLIQ which offers the ultimate synergy between the tried-and-true reliability of the superior mechanical **ABLOY**[®] PROTEC² and the programming ease and flexibility inherent in electronic locks and keys.

ABLOY[®] PROTEC² CLIQ is a true one key solution where CLIQ keys are able to operate both the electromechanical and mechanical cylinders.

ABLOY[®] PROTEC² CLIQ is a very cost effective solution. CLIQ cylinders are installed in areas which require electronic features such as audit trails, time limited access and easy blocking of lost keys. Those areas could for instance be the perimeters, storerooms or server rooms. Mechanical **ABLOY**[®] PROTEC² cylinders are then installed in the other areas.

Key Features

- Electronic access control without wiring
- Cost effective one key solution
- Audit trails stored in both keys and cylinders
- Flexible access permissions
- IP57 Rated CLIQ Keys
- IP68 Rated Padlocks
- Access permissions can be updated remotely
- Cloud (web) based software
- Easily replaced standard battery
- Dual security; mechanical and electronic
- Central management philosophy





ABLOY IN BRIEF

Abloy Oy is one of the leading manufacturers of locks, locking systems and architectural hardware and the world's leading developer of products in the field of electromechanical locking technology. ABLOY carries a global high security brand image reflecting its unique technology that creates a solid base for our success in international markets as well as in our home market.

The position of ABLOY as one of the six global brands of the ASSA ABLOY Group supports our internationalisation process and empowers us to strengthen our business in existing markets and to expand into new areas.

Our aim is to operate locally as locking system solution experts close to the customers all around the world. The main target groups are construction projects, professional end-users, original equipment manufacturers (OEM) and residential customers.

Abloy serves customers in more than 70 countries in all continents worldwide.

ASSA ABLOY is the global leader in door opening solutions, dedicated to satisfying end-user needs for security, safety and convenience. The Group has 29,000 employees and annual sales of over EUR 3.5 billion.



SCEC ENDORSED PRODUCTS

The Security Construction and Equipment Committee (SCEC) is a standing interdepartmental committee responsible for the evaluation and endorsement of security equipment for use by Australian Commonwealth departments and agencies.

ASIO's T4 Protective Security directorate, on behalf of SCEC, evaluates protective security products to determine their suitability for use in Australian Government facilities. Approved products are listed in the Security Equipment Evaluated Products List (SEEPL).

SEEPL categorises products into four levels that indicate the relative 'security strength' of the item for use in Government applications. SL4 products offer a high level of security while SL1 products offer the lowest acceptable level of security for Government use.

SL4 High Threat

The following products are SCEC Endorsed for SL4 High Threat level areas. The highest level available.

SL3 Medium Threat

The following products are SCEC Endorsed for SL3 Medium Threat level areas.

SL2 Low to Medium Threat

The following products are SCEC Endorsed for SL2 Low to Medium Threat level areas.

SCEC does not classify padlocks rated SL2 or SL1. SCEC has published a Security Equipment Guide for Padlocks (SEG-028). This guide recommends commercial grade padlocks that meet AS 4145.2:2002 grade SP6 should be considered acceptable for use in Security Zones One, Two, Three. ABLOY Padlocks that conform to this standard are listed on the following page.

SL1 Low Threat

The following products are SCEC Endorsed for SL1 Low Threat areas. The lowest acceptable level available.

Legacy Key Systems

The following Key Systems are products previously endorsed and now have less than 8 years legal protection. Legacy Key Systems are considered to be SCEC approved until their legal protection mechanisms expire.

SCEC Endorsed Products List

Product Type	Product	Endorsement
Cylinder	CY402T/SC	SL3
Cylinder	CY403T/SC	SL3
Cylinder	CY503T/L7SC	SL3
Cylinder	CY503T/L8SC	SL3
Cylinder	CY503T/R7SC	SL3
Cylinder	CY503T/R8SC	SL3
Cylinder	CY504T/#SC	SL3
Cylinder	CY504TEX/SC	SL3
Cylinder	CY506T/SC	SL3
Padlock	PL340T/25	SL3
Padlock	PL340T/50	SL3
Padlock	PL341T/25	SL3
Padlock	PL341T/50	SL3
Padlock	PL342T/25	SL3
Padlock	PL350T/25	SL3
Padlock	PL350T/50	SL3
Padlock	PL362T/25	SL3
Padlock	PLM340T/25	SL3
Padlock	PLM340T/50	SL3
Padlock	PLM350T/25	SL3
Padlock	PLM350T/50	SL3
Padlock Accessory	PL200	SL3
Padlock Accessory	PL201	SL3
Padlock Accessory	PL202	SL3
Padlock Accessory	PL203	SL3
Padlock Accessory	PL204	SL3
Deadbolt	CY411#/SC	SL3
Deadbolt	CY412#/SC	SL3
Deadbolt	CY413#/SC	SL3

SCEC Endorsed Products List - (Continued)

Product Type	Product	Endorsement
Cylinder	CY321T/#CP	SL2
Cylinder	CY322T/#CP	SL2
Cylinder	CY323T/#CP	SL2
Cylinder	CY404T/SC	SL2
Cylinder	CY405T/SC	SL2
Cylinder	CY406T/SC	SL2
Cylinder	CY410T/SC	SL2
Cylinder	CY414T/SC	SL2
Cylinder	CY501T/SC	SL2
Cylinder	CY502T/SC	SL2
Cylinder	CY801T/SC	SL2
Padlock	PL330T/25	AS 4145.2:2002 – SP7
Padlock	PL330T/50	AS 4145.2:2002 – SP7
Padlock	PL330N/25	AS 4145.2:2002 – SP7
Padlock	PL330N/50	AS 4145.2:2002 – SP7
Cam Lock	CL103T/CP	SL2
Cam Lock	CL106T/CP	SL2
Cabinet Lock	OF230T/CP	SL1
Cabinet Lock	OF231T/CP	SL1
Cabinet Lock	OF430T/CP	SL1
Cabinet Lock	OF431T/CP	SL1
Cabinet Lock	CY820T/SC	SL1

Construction Cylinders

AUSTRALIAN CYLINDERS ASSEMBLED

CY414	RIM CYLINDER (201)	13
CY501	001 INTERNAL TYPE CYLINDER	14
CY502	355 INTERNAL TYPE CYLINDER	15
CY503	3570 SERIES MORTICE LOCK HOLDBACK CYLINDER	16
CY504	AUSTRALIAN OVAL CYLINDER (570)	17
CY504EX	AUSTRALIAN OVAL MODULAR BASE CYLINDER	18
CY505	ASTRA OVAL CYLINDER	20
CY506	3570 SERIES MORTICE LOCK DUAL ACCESS LOWER CYLINDER (577)	21
CY507	007 EXTERNAL / DIGITAL OVERRIDE CYLINDER TYPE CYLINDER	22
CY801	530 TYPE CYLINDER	23
CY820	693 CUPBOARD LOCK CYLINDER	24
CYLIW	LOCK-IT-WELL SWITCH CYLINDER	25

KEY & KNOB / LEVER CYLINDERS ASSEMBLED

CY406	EXTRUDED BIBLE TYPE CYLINDER FIXED CAM	26
CY410	EXTRUDED BIBLE TYPE CYLINDER FLOATING CAM	27
CY516	EXTRUDED BIBLE PD (8221) TYPE CYLINDER	28

EURO PROFILE DIN CYLINDERS ASSEMBLED

CY321	EURO PROFILE DIN SINGLE CYLINDER	29
CY322	EURO PROFILE DIN DOUBLE CYLINDER	29
CY323	EURO PROFILE DIN CYLINDER & TURN	29

ANSI STANDARD CYLINDERS ASSEMBLED

CY402	25.4MM LONG ROUND THREADED STEEL CYLINDER	31
CY403	31.75MM LONG ROUND THREADED STEEL CYLINDER	32
CY404	25.4MM LONG ROUND THREADED BRASS CYLINDER	31
CY405	31.75MM LONG ROUND THREADED BRASS CYLINDER	32

FINNISH (FINLAND) CYLINDERS ASSEMBLED

CY053	RIM CYLINDER WITH PULL	33
CY057	FINNISH T2 EXTERNAL CYLINDER	34
CY058	FINNISH UT2 INTERNAL CYLINDER	35
CY065	DOUBLE BRASS CYLINDER KIT	36
CY5150	FINNISH RIM LOCK CYLINDER	37

DEADBOLT

CY411	HIGH SECURITY DOUBLE CYLINDER DEADBOLT	38
CY412	HIGH SECURITY SINGLE CYLINDER DEADBOLT	38
CY413	HIGH SECURITY SINGLE CYLINDER WITH KEY DEADBOLT	38

ABLOY® CY414 Construction Cylinder

This cylinder is used as the external cylinder in a wide range of rimlocks including Lockwood 001, 002, 303, 355, 201, 211, 213 etc.

NOTE: CLIQ version is approx. 5 mm longer than the mechanical version.

A keyway protected version of this cylinder is available in CLIQ. See page 145 for more information.



Number of Discs: 11 (9 for CLIQ)

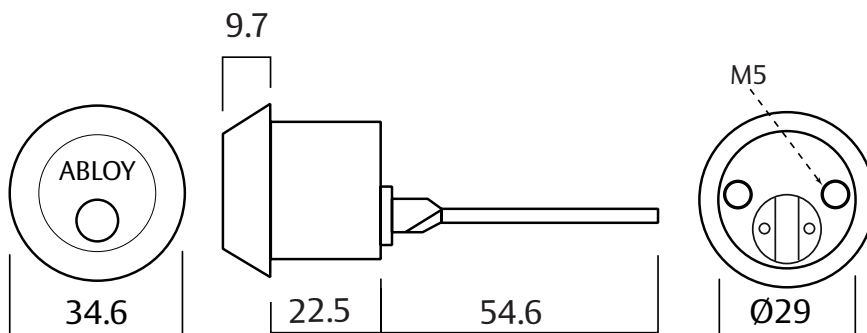
Material and Finishing

Material: Brass

Finish: Satin Chrome Brushed,
Chrome Plate (T & N only),
Polished Brass (T & N only)

Keying Platforms

- ABLOY® PROTEC² CLIQ (T)
- ABLOY® PROTEC² (T)
- ABLOY® PROTEC CLIQ (N)
- ABLOY® PROTEC (N)
- ABLOY® DISKLOCK PRO (D)
- ABLOY® CLIQ Express (CE)



Ordering Information

Product Description	Part Number
Assembled to code	CY414#/SC
Unassembled	CY414#UA/SC

* Refer to page 146 for all ordering specification information.

ABLOY® CY501 Construction Cylinder

This cylinder is used for the inside of the Lockwood 001 Deadlatch.

NOTE: Knob will need to be reamed out to 16mm diameter to accept this cylinder. Modification to the cam assembly may be required. Unassembled cylinder is supplied without cam assembly.

CLIQ version is approx. 5 mm longer than the mechanical version.

A keyway protected version of this cylinder is available in CLIQ. See page 145 for more information.

Number of Discs: 11 (9 for CLIQ)

Material and Finishing

Material: Brass

Finish: Satin Chrome Brushed, Chrome Plate (T & N only), Polished Brass (T & N only)

Keying Platforms

ABLOY® PROTEC² CLIQ (T)

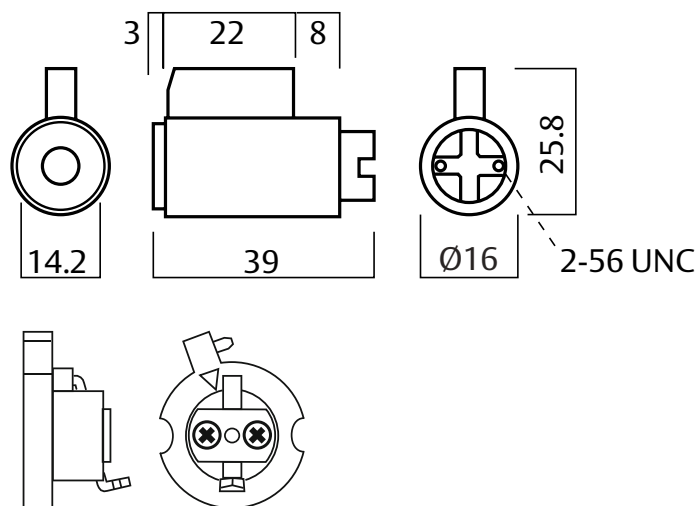
ABLOY® PROTEC² (T)

ABLOY® PROTEC CLIQ (N)

ABLOY® PROTEC (N)

ABLOY® DISKLOCK PRO (D)

ABLOY® CLIQ Express (CE)



Ordering Information

Product Description	Part Number
Assembled to code	CY501#/SC
Unassembled	CY501#UA/SC

* Refer to page 146 for all ordering specification information.

ABLOY® CY502 Construction Cylinder

This cylinder is used for the inside of the Lockwood 355 Deadlock.

NOTE: Knob will need to be reamed out to 16mm diameter to accept this cylinder. Modification to the cam assembly may be required. Unassembled cylinder is supplied without cam assembly.

CLIQ version is approx. 5 mm longer than the mechanical version.

A keyway protected version of this cylinder is available in CLIQ. See page 145 for more information.

Number of Discs: 11 (9 for CLIQ)

Material and Finishing

Material: Brass

Finish: Satin Chrome Brushed, Chrome Plate (T & N only), Polished Brass (T & N only)

Keying Platforms

ABLOY® PROTEC² CLIQ (T)

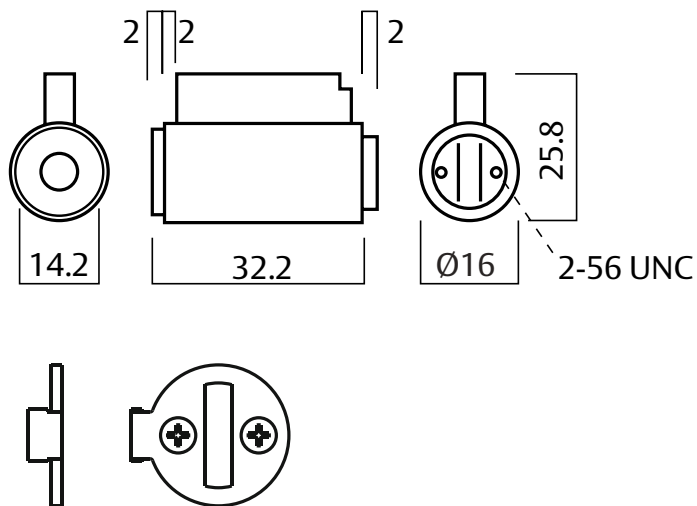
ABLOY® PROTEC² (T)

ABLOY® PROTEC CLIQ (N)

ABLOY® PROTEC (N)

ABLOY® DISKLOCK PRO (D)

ABLOY® CLIQ Express (CE)



Ordering Information

Product Description	Part Number
Assembled to code	CY502#/SC
Unassembled	CY502#UA/SC

* Refer to page 146 for all ordering specification information.

ABLOY® CY503 Construction Cylinder

This cylinder is used for hold back applications on Lockwood 3570 & 3580 series mortice locks.

NOTE: Unassembled cylinder is supplied without cam assembly.

CLIQ version is approx. 5 mm longer than the mechanical version.

A keyway protected version of this cylinder is available in CLIQ. See page 145 for more information.

Number of Discs: 11 (9 for CLIQ)

Material and Finishing

Material: Brass

Finish: Satin Chrome Brushed, Chrome Plate (T & N only), Polished Brass (T & N only)

Keying Platforms

ABLOY® PROTEC² CLIQ (T)

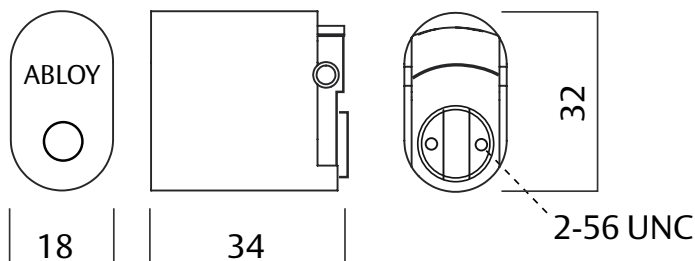
ABLOY® PROTEC² (T)

ABLOY® PROTEC CLIQ (N)

ABLOY® PROTEC (N)

ABLOY® DISKLOCK PRO (D)

ABLOY® CLIQ Express (CE)



Ordering Information

Product Description	Part Number
Assembled to code LH to suit 3572 Synergy Series	CY503#/L7SC
Assembled to code LH to suit 3582 Synergy Series	CY503#/L8SC
Assembled to code RH to suit 3572 Synergy Series	CY503#/R7SC
Assembled to code RH to suit 3582 Synergy Series	CY503#/R8SC
Unassembled	CY503#/UA/SC

* Refer to page 146 for all ordering specification information.

ABLOY® CY504 Construction Cylinder

This cylinder is used on Lockwood Cylinder Mortice Locks such as:

- Lockwood Selector 3700 Series (3772, 3774, 3782 etc.)
- Lockwood Synergy 3570 Series (3572, 3574 etc.)
- 3580 Series (3582, 3584 etc.)
- 3540 Series
- Lockwood Pentagon 3P70 & 3P80 Series

NOTE: CLIQ version is approx. 5 mm longer than the mechanical version.

A keyway protected version of this cylinder is available in CLIQ. See page 145 for more information.



Number of discs: 11 (9 for CLIQ)

Material and Finishing

Material: Brass

Finish: Satin Chrome Brushed, Polish Brass (T & N only) & Chrome Plate (T & N only)

Keying Platforms

ABLOY® PROTEC² CLIQ (T)

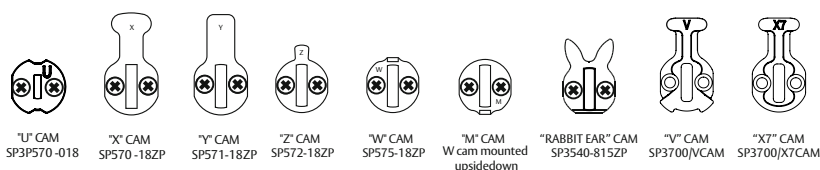
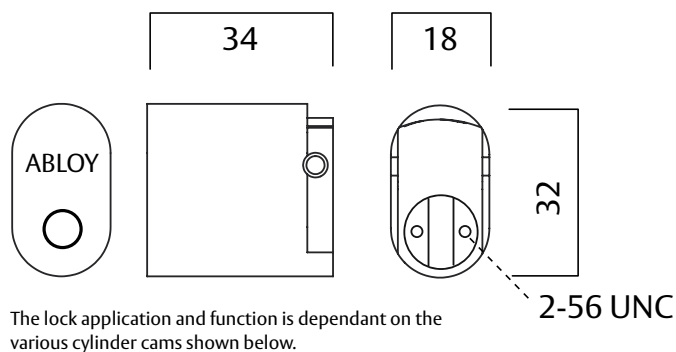
ABLOY® PROTEC² (T)

ABLOY® PROTEC CLIQ (N)

ABLOY® PROTEC (N)

ABLOY® DISKLOCK PRO (D)

ABLOY® CLIQ Express (CE)



Ordering Information

Product Description	Part Number
Assembled with M cam	CY504#/MSC
Assembled with R cam	CY504#/RSC
Assembled with U cam	CY504#/USC
Assembled with V cam	CY504#/VSC
Assembled with W cam	CY504#/WSC
Assembled with X cam	CY504#/XSC
Assembled with X7 cam	CY504#/X7SC
Assembled with Y cam	CY504#/YSC
Assembled with Z cam	CY504#/ZSC
Assembled no cam	CY504#/NCSC
Unassembled	CY504#/UA/SC

* Refer to page 146 for all ordering specification information.

ABLOY® CY504EX Construction Cylinder

The CY504EX is the base cylinder used for ASSA ABLOY's revolutionary modular extension system.

The CY504EX is also used in the; Lockwood Selector 3777 as the lower cylinder with Selector mounting plate 3777-KIT570E.

Lockwood Selector 3772 Key Override DX Digital Mortice Lock with Selector conversion kit 3772-DXKOKITSC.

NOTE: CLIQ version is approx. 5 mm longer than the mechanical version.

A keyway protected version of this cylinder is available in CLIQ. See page 145 for more information.



ABLOY® CY504EX Construction Cylinder

Number of Discs: 11 (9 for CLIQ)

Material and Finishing

Material: Brass

Finish: Satin Chrome Brushed

Keying Platforms

ABLOY® PROTEC² CLIQ (T)

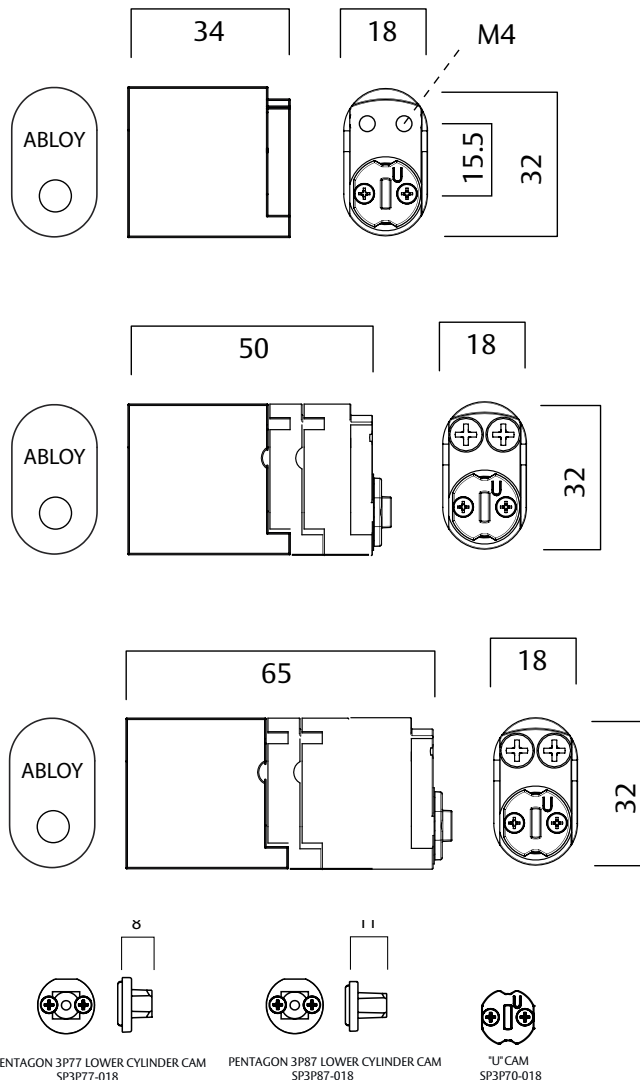
ABLOY® PROTEC² (T)

ABLOY® PROTEC CLIQ (N)

ABLOY® PROTEC (N)

ABLOY® DISKLOCK PRO (D)

ABLOY® CLIQ Express (CE)



Ordering Information

Product Description	Part Number
Assembled base cylinder [^]	CY504#EX/SC
Assembled 50mm long	CY504#50/~SC
Assembled 65mm long	CY504#65/~SC
Assembled to suit 3777	CY504#EX/77SC
Assembled to suit 3787	CY504#EX/87SC
Unassembled Base Cylinder [^]	CY504#EXUA/SC

* Refer to page 146 for all ordering specification information.

** Exchange ~ for required cam in part number.

[^]Uses standard modular cylinder extension pieces available in the Lockwood product range.

ABLOY® CY505 Construction Cylinder

This cylinder is used for Astra mortice locks.

NOTE: Cylinder is supplied without cam.

CLIQ version is approx. 5 mm longer than the mechanical version.

A keyway protected version of this cylinder is available in CLIQ. See page 145 for more information..

Number of Discs: 11 (9 for CLIQ)

Material and Finishing

Material: Brass

Finish: Satin Chrome Brushed, Chrome Plate (T & N only), Polished Brass (T & N only)

Keying Platforms

ABLOY® PROTEC² CLIQ (T)

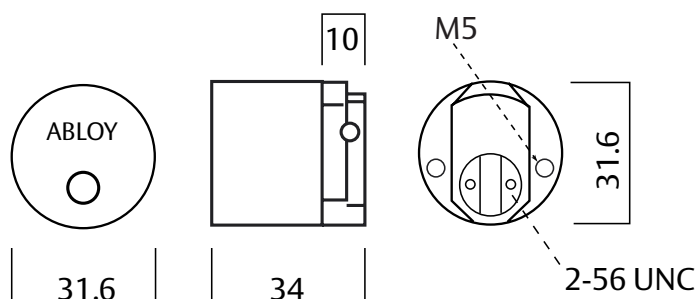
ABLOY® PROTEC² (T)

ABLOY® PROTEC CLIQ (N)

ABLOY® PROTEC (N)

ABLOY® DISKLOCK PRO (D)

ABLOY® CLIQ Express (CE)



Ordering Information

Product Description	Part Number
Assembled to code	CY505#/SC
Unassembled	CY505#UA/SC

* Refer to page 146 for all ordering specification information.

ABLOY® CY506 Construction Cylinder

This cylinder is used in Lockwood Dual Entry Mortice Locks and Lockwood Digital DX Key Override Locks such as:

- Lockwood 3577 Dual Entry Mortice Lock (lower cylinder)
- Lockwood 3572 Key Override DX Digital Mortice Lock (lower cylinder)
- Lockwood 3777 Dual Entry Mortice Lock (lower cylinder) with mounting plate 3777-KIT577
- Lockwood 3772 Key Override DX Digital Mortice Lock with lower cylinder mounting plate 3777-KIT577

NOTE: Unassembled cylinder is supplied without cam assembly.

CLIQ version is approx. 5 mm longer than the mechanical version.

A keyway protected version of this cylinder is available in CLIQ. See page 145 for more information.

Number of Discs: 11 (9 for CLIQ)

Material and Finishing

Material: Brass

Finish: Satin Chrome Brushed, Chrome Plate (T & N only), Polished Brass (T & N only)

Keying Platforms

ABLOY® PROTEC² CLIQ (T)

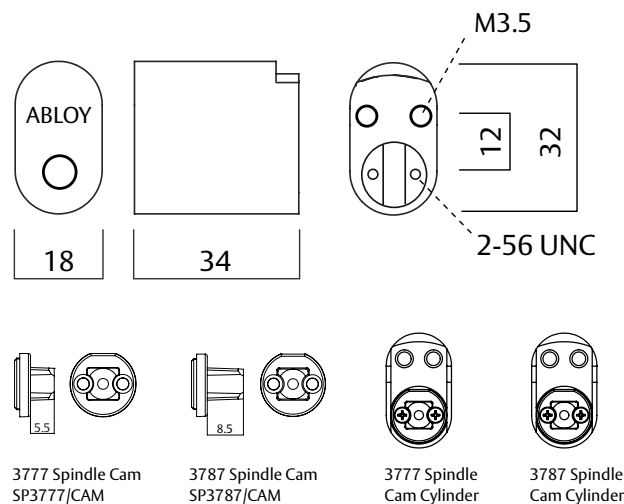
ABLOY® PROTEC² (T)

ABLOY® PROTEC CLIQ (N)

ABLOY® PROTEC (N)

ABLOY® DISKLOCK PRO (D)

ABLOY® CLIQ Express (CE)



Ordering Information

Product Description	Part Number
Assembled to code	CY506#/SC
Unassembled	CY506#UA/SC

* Refer to page 146 for all ordering specification information.

ABLOY® CY507 Construction Cylinder

This cylinder is used for Lockwood Digital (old) Override Cylinder.

NOTE: Cylinder is supplied without cam.

Number of Discs: 11

Material and Finishing

Material: Brass

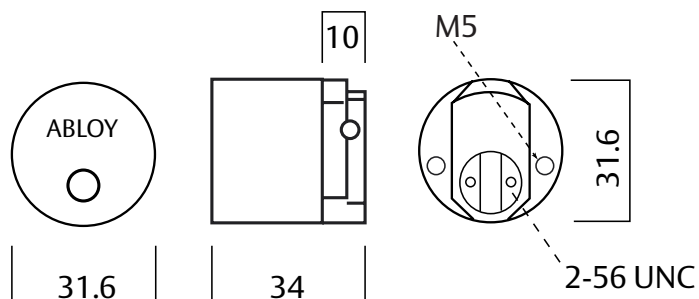
Finish: Satin Chrome Brushed

Keying Platforms

ABLOY® PROTEC² (T)

ABLOY® PROTEC (N)

ABLOY® DISKLOCK PRO (D)



Ordering Information

Product Description	Part Number
Assembled to code	CY507#/SC
Unassembled	CY507#UA/SC

* Refer to page 146 for all ordering specification information.

ABLOY® CY801 Construction Cylinder

This cylinder is used in the Lockwood 530 Series Key in Knob Locksets and the 930/950 Series Key in Lever Locksets.

NOTE: Handle or lever will need to be reamed out to 16mm diameter to accept this cylinder.

CLIQ version is approx. 5 mm longer than the mechanical version.

A keyway protected version of this cylinder is available in CLIQ. See page 145 for more information.

Number of Discs: 11 (9 for CLIQ)

Material and Finishing

Material: Brass

Finish: Satin Chrome Brushed, Chrome Plate (T & N only), Polished Brass (T & N only)

Keying Platforms

ABLOY® PROTEC² CLIQ (T)

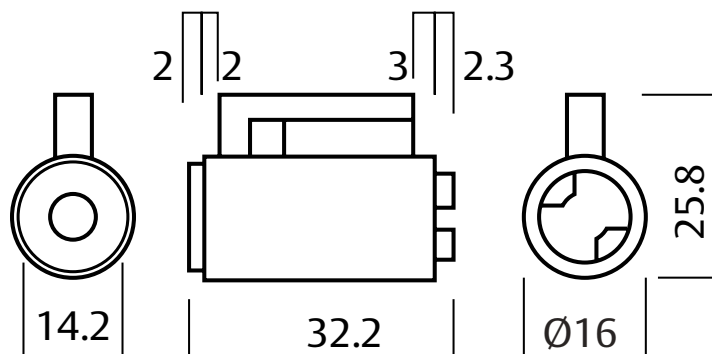
ABLOY® PROTEC² (T)

ABLOY® PROTEC CLIQ (N)

ABLOY® PROTEC (N)

ABLOY® DISKLOCK PRO (D)

ABLOY® CLIQ Express (CE)



Ordering Information

Product Description	Part Number
Assembled to code	CY801#/SC
Unassembled	CY801#UA/SC

* Refer to page 146 for all ordering specification information.

ABLOY® CY820 Construction Cylinder

Cupboard lock cylinder to suit Lockwood 693 series cupboard locks.

NOTE: CLIQ version is approx. 5 mm longer than the mechanical version.

A keyway protected version of this cylinder is available in CLIQ. See page 145 for more information.

Number of Discs: 11 (9 for CLIQ)

Material and Finishing

Material: Brass

Finish: Satin Chrome Brushed

Keying Platforms

ABLOY® PROTEC² CLIQ (T)

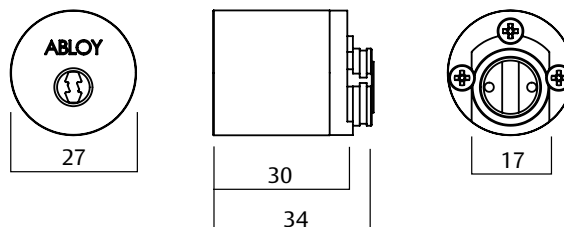
ABLOY® PROTEC² (T)

ABLOY® PROTEC CLIQ (N)

ABLOY® PROTEC (N)

ABLOY® DISKLOCK PRO (D)

ABLOY® CLIQ Express (CE)



Ordering Information

Product Description	Part Number
Assembled to code	CY820#/SC
Unassembled*	CY820#UA/SC

* Refer to page 146 for all ordering specification information.

ABLOY® CYLIW Construction Cylinder

Removable cylinder to suit “A” series “Lock it Well” switch assemblies.

NOTE: CLIQ version is approx. 5 mm longer than the mechanical version.

A keyway protected version of this cylinder is available in CLIQ. See page 145 for more information.

Number of Discs: 11 (9 for CLIQ)

Material and Finishing

Material: Brass

Finish: Satin Chrome Brushed

Keying Platforms

ABLOY® PROTEC² CLIQ (T)

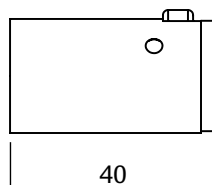
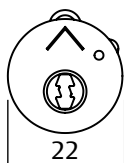
ABLOY® PROTEC² (T)

ABLOY® PROTEC CLIQ (N)

ABLOY® PROTEC (N)

ABLOY® DISKLOCK PRO (D)

ABLOY® CLIQ Express (CE)



Ordering Information

Product Description

Assembled to code

Unassembled

Part Number

CYLIW#/SC

CYLIW#UA/SC

* Refer to page 146 for all ordering specification information.

ABLOY® CY406 Construction Cylinder

Key in Knob cylinder for US style knob sets (PD) to suit a fixed tailpiece. Complete with 4 tail pieces.

NOTE: CLIQ version is approx. 5 mm longer than the mechanical version.

A keyway protected version of this cylinder is available in CLIQ. See page 145 for more information.

Number of Discs: 11 (9 for CLIQ)

Material and Finishing

Material: Brass

Finish: Satin Chrome Pearl

Keying Platforms

ABLOY® PROTEC² CLIQ (T)

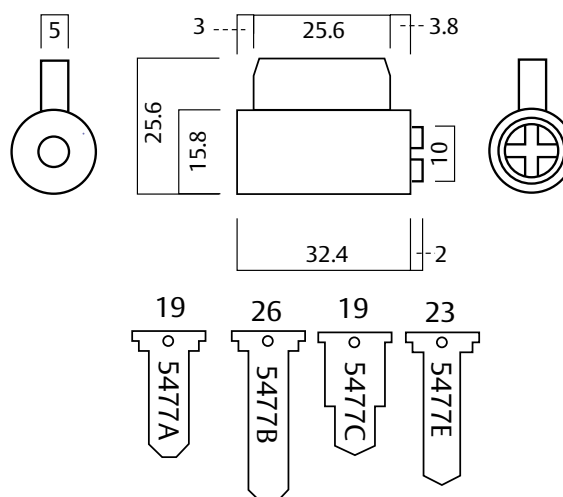
ABLOY® PROTEC² (T)

ABLOY® PROTEC CLIQ (N)

ABLOY® PROTEC (N)

ABLOY® DISKLOCK PRO (D)

ABLOY® CLIQ Express (CE)



Ordering Information

Product Description

Assembled to code

Unassembled

Part Number

CY406#/SC

CY406#UA/SC

* Refer to page 146 for all ordering specification information.

ABLOY® CY410 Construction Cylinder

Key in Knob cylinder for US style knob sets (PD) to suit a floating tailpiece. Complete with tail piece.

NOTE: CLIQ version is approx. 6 mm longer than the mechanical version.

A keyway protected version of this cylinder is available in CLIQ. See page 145 for more information.

Number of Discs: 11 (9 for CLIQ)

Material and Finishing

Material: Brass

Finish: Satin Chrome Pearl

Keying Platforms

ABLOY® PROTEC² CLIQ (T)

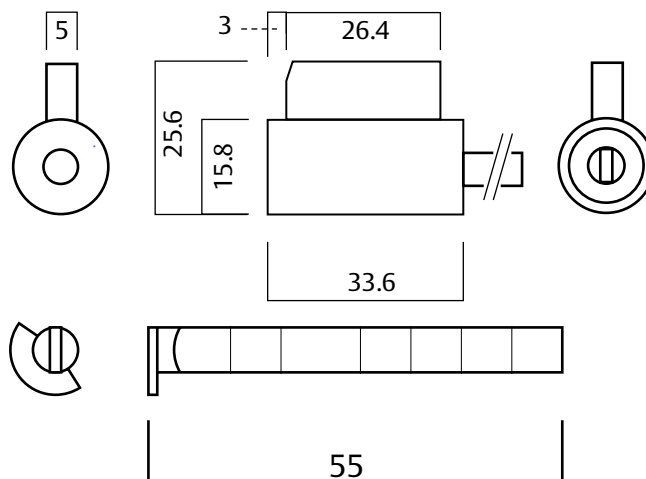
ABLOY® PROTEC² (T)

ABLOY® PROTEC CLIQ (N)

ABLOY® PROTEC (N)

ABLOY® DISKLOCK PRO (D)

ABLOY® CLIQ Express (CE)



Ordering Information

Product Description	Part Number
Assembled to code	CY410#/SC
Unassembled	CY410#UA/SC

* Refer to page 146 for all ordering specification information.

ABLOY® CY516 Construction Cylinder

Key in Knob / Lever cylinder (PD) for US style lock sets. Will accept most commonly available cams.

NOTE: Cylinders are supplied with no cam.

Number of Discs: 11

Material and Finishing

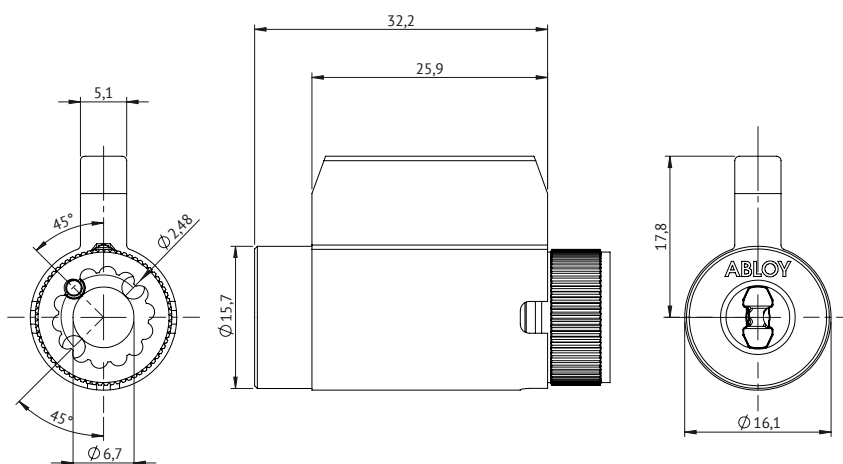
Material: Brass

Finish: Satin Chrome

Keying Platforms

ABLOY® PROTEC² (T)

ABLOY® PROTEC (N)



Ordering Information

Product Description	Part Number
Assembled to code	CY516#/SC
Unassembled	CY516#UA/SC

* Refer to page 146 for all ordering specification information.

ABLOY® CY321, CY322, CY323 Construction Cylinder

This cylinder is a EURO DIN “Fixed” cam cylinder to operate a wide variety of mortice locks in the market.

Also available in “Lazy” cam for security screen locks.

NOTE: For unassembled cylinders that require “Lazy” cam function the purchase of the “Lazy” cam SP404420 will be required.

CLIQ version is approx. 7.5 mm longer than the mechanical version.

A keyway protected version of this cylinder is available in CLIQ. See page 145 for more information. The CLIQ cylinder models for the EURO DIN cylinder range are called CYL331, CYL332 and CYL333 respectively.



ABLOY® CY321, CY322, CY323 Construction Cylinder

CY321

Number of Discs: 11 (9 for CLIQ)
Retaining Screw Thread: M5
 EURO half cylinder in either “Fixed” or “Lazy Right” or “Lazy Left”

Material and Finishing

Material: Brass (Outside is Hardened steel for CLIQ)
Finish: Chrome Plate

CY322

Number of Discs: 11 (9 for CLIQ)
Retaining Screw Thread: M5
 EURO double cylinder in either “Fixed” or “Lazy” Cam. CLIQ in either “Fixed” or “Lazy Right” or “Lazy Left”

Material and Finishing

Material: Brass (Outside is Hardened steel for CLIQ)
Finish: Chrome Plate

CY323

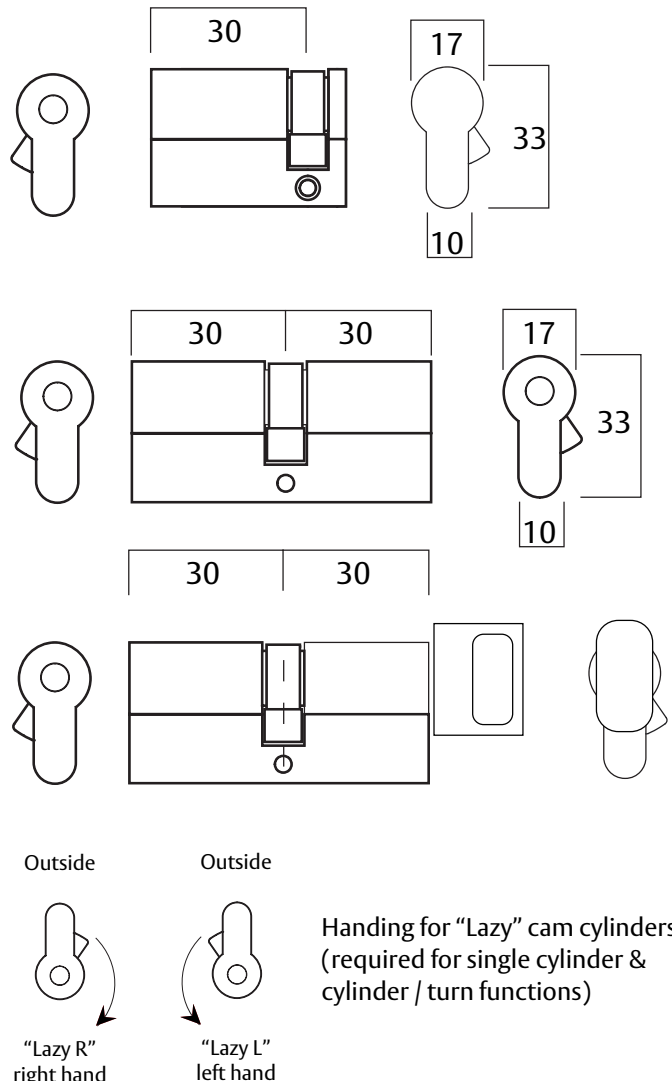
Number of Discs: 11 (9 for CLIQ)
Retaining Screw Thread: M5
 EURO cylinder and turn in either “Fixed” or “Lazy Right” or “Lazy Left”

Material and Finishing

Material: Brass (Outside is Hardened steel for CLIQ)
Finish: Chrome Plate

Keying Platforms

- ABLOY® PROTEC² CLIQ (T)
- ABLOY® PROTEC² (T)
- ABLOY® PROTEC CLIQ (N)
- ABLOY® PROTEC (N)
- ABLOY® DISKLOCK PRO (D)
- ABLOY® CLIQ Express (CE)



Ordering Information

Product Description	Part Number
Assembled to code - Half Cyl Fixed Cam	CY321#/FCP
Assembled to code - Half Cyl Lazy Cam Left Hand	CY321#/LLCP
Assembled to code - Half Cyl Lazy Cam Right Hand	CY321#/LRCP
Assembled to code - Dbl Cyl Lazy Cam	CY322#/FCP
Assembled to code - Dbl Cyl Lazy Cam	CY322#/LCP
Assembled to code - Cyl/Turn Fixed Cam	CY323#/FCP
Assembled to code - Cyl/Turn Lazy Cam Left Hand	CY323#/LLCP
Assembled to code - Cyl/Turn Lazy Cam Right Hand	CY323#/LRCP
Unassembled - Half Cyl Fixed Cam	CY321#/UA/CP
Unassembled - Dbl Cyl Fixed Cam	CY322#/UA/CP
Unassembled - Cyl/Turn Fixed Cam	CY323#/UA/CP

* Refer to page 146 for all ordering specification information.

** Unassembled cylinders come fixed cam. For lazy cam cylinder assembly order the lazy cam drive ring part number: SP404420.

ABLOY® CY402, CY404 Construction Cylinder

This cylinder is used in many imported locks. The cylinder is screwed into the mortice lock and then retained by a grub screw. It is important to check the thread pitch for compatibility.

Various tail pieces can be fitted to this cylinder. Due to the variety available the tail piece from the existing lockset may be required to be fitted to this cylinder.

NOTE: CY402 & CY404 are supplied with SP404837 deadlocking cam.

CLIQ version is approx. 6.5 mm longer than the mechanical version.

A keyway protected version of this cylinder is available in CLIQ. See page 145 for more information.



CY402

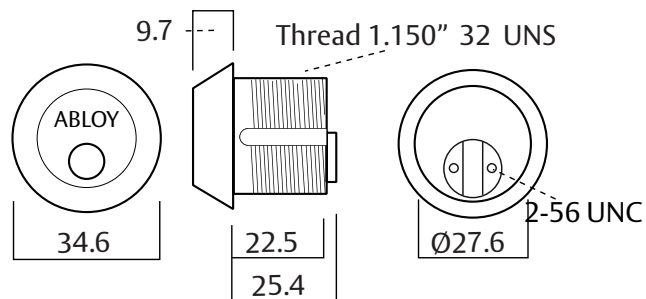
Number of Discs: 11 (9 for CLIQ)

Material and Finishing

Material: Hardened steel
Finish: Satin Chrome Pearl

Keying Platforms

- ABLOY® PROTEC² CLIQ (T)
- ABLOY® PROTEC² (T)
- ABLOY® PROTEC CLIQ (N)
- ABLOY® PROTEC (N)
- ABLOY® DISKLOCK PRO (D)
- ABLOY® CLIQ Express (CE)



CY404

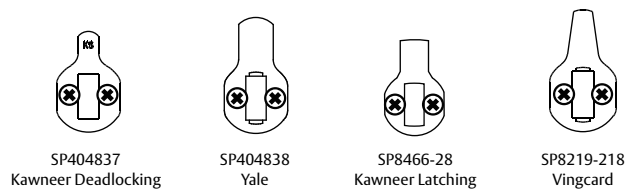
Number of Discs: 11

Material and Finishing

Material: Brass
Finish: Satin Chrome Pearl

Keying Platforms

- ABLOY® PROTEC² (T)
- ABLOY® PROTEC (N)
- ABLOY® DISKLOCK PRO (D)



Ordering Information

Product Description	Part Number
Assembled to code (deadlocking cam)	CY404#/SC
Unassembled	CY404#UA/SC
Unassembled	CY402#UA/SC

* Refer to page 146 for all ordering specification information.

ABLOY® CY403, CY405 Construction Cylinder

This cylinder is used in many imported locks. The cylinder is screwed into the mortice lock and then retained by a grub screw.

It is important to check the thread pitch for compatibility. Various tail pieces can be fitted to this cylinder. Due to the variety available the tail piece from the existing lockset may be required to be fitted to this cylinder.

NOTE: CY403 & CY405 are supplied with SP404838 latching cam

CLIQ version is approx. 6.5 mm longer than the mechanical version.

A keyway protected version of this cylinder is available in CLIQ. See page 145 for more information.



CY403

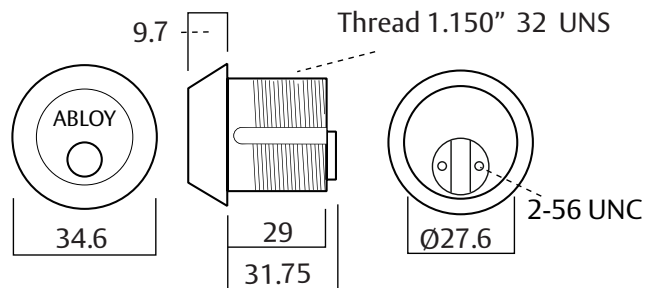
Number of Discs: 11 (9 for CLIQ)

Material and Finishing

Material: Hardened steel
Finish: Satin Chrome Pearl

Keying Platforms

- ABLOY® PROTEC² CLIQ (T)
- ABLOY® PROTEC² (T)
- ABLOY® PROTEC CLIQ (N)
- ABLOY® PROTEC (N)
- ABLOY® DISKLOCK PRO (D)
- ABLOY® CLIQ Express (CE)

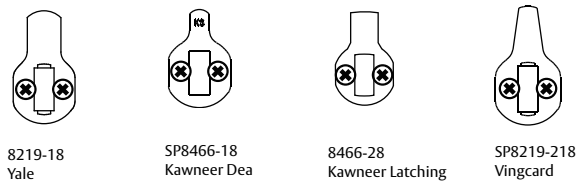


CY405

Number of Discs: 11

Material and Finishing

Material: Brass
Finish: Satin Chrome Pearl



Keying Platforms

- ABLOY® PROTEC² (T)
- ABLOY® PROTEC (N)
- ABLOY® DISKLOCK PRO (D)

Ordering Information

Product Description	Part Number
Assembled to code (Yale cam)	CY405#/SC
Unassembled	CY405#UA/SC
Unassembled	CY405#UA/SC

* Refer to page 146 for all ordering specification information.

ABLOY® CY053 Construction Cylinder

Rim cylinder with pull, suitable for use with RI001, RI002 and RI003 rim locks. Meets BS EN1303 Grade 3.

Number of Discs: 11

Retaining Screw Thread: M5

UT1 Cylinder - unthreaded, 1 locking groove

Material and Finishing

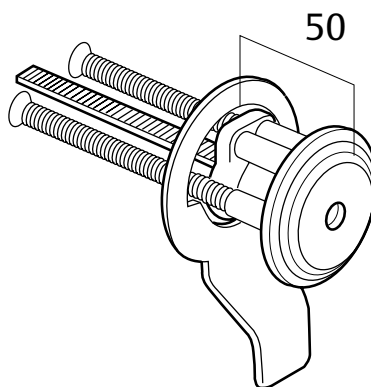
Material: Brass

Finish: Satin Chrome Pearl

Keying Platforms

ABLOY® PROTEC² (T)

ABLOY® PROTEC (N)



Ordering Information

Product Description

Unassembled

Part Number

CY053#UA/SC

* Refer to page 146 for all ordering specification information.

ABLOY® CY057 Construction Cylinder

Single **outside** cylinder, without fittings, suitable for use with key operated deadlocks. Meets BS EN1303 Grade 3.

NOTE : This cylinder is for replacement purposes only. Available with ABLOY cylinder mechanisms including PROTEC², PROTEC CLIQ, PROTEC² CLIQ, PROTEC, DISKLOCK PRO and CLASSIC.

CLIQ cylinders are 0.6mm longer than the mechanical version.

Number of Discs: 11 (9 for CLIQ)

Retaining Screw Thread: M5

T2 Cylinder - threaded, 2 locking grooves

Material and Finishing

Material: Brass

Finish: Satin Chrome Pearl

Keying Platforms

ABLOY® PROTEC² CLIQ (T)

ABLOY® PROTEC² (T)

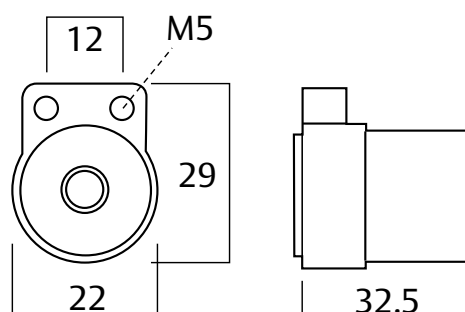
ABLOY® PROTEC CLIQ (N)

ABLOY® PROTEC (N)

ABLOY® DISKLOCK PRO (D)

ABLOY® CLASSIC (C)

ABLOY® CLIQ Express (CE)



Ordering Information

Product Description

Assembled Classic KD

Unassembled

Part Number

CY057CKD/SC

CY057#UA/SC

* Refer to page 146 for all ordering specification information.

ABLOY® CY058 Construction Cylinder

Single **inside** cylinder, without fittings, suitable for use with key operated deadlocks. Meets BS EN1303 Grade 3.

NOTE: This cylinder is for replacement purposes only. Available with ABLOY cylinder mechanisms including PROTEC, DISKLOCK PRO and Classic.

Number of Discs: 11

Retaining Screw Thread:

None, 2 x 5mm holes only

UT2 Cylinder - unthreaded, 2 locking grooves

Material and Finishing

Material: Brass

Finish: Satin Chrome Pearl

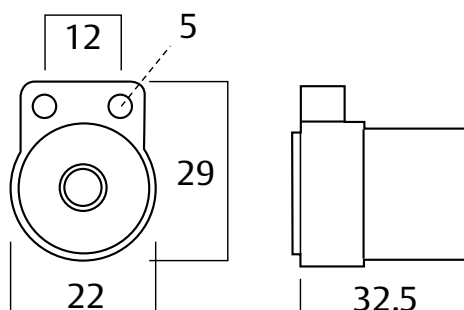
Keying Platforms

ABLOY® PROTEC² (T)

ABLOY® PROTEC (N)

ABLOY® DISKLOCK PRO (D)

ABLOY® CLASSIC (C)



Ordering Information

Product Description

Assembled Classic KD

Unassembled

Part Number

CY058CKD/SC

CY058#UA/SC

* Refer to page 146 for all ordering specification information.

ABLOY® CY065 Construction Cylinder

Double cylinder complete with fittings (narrow stile). Meets BS EN1303 Grade 5.

Cylinder escutcheon made of hardened steel. Supplied as a complete unit, the CY065 includes the cylinder with fittings, tailpiece and connecting screws.

Number of Discs: 11

Material and Finishing

Material: Brass

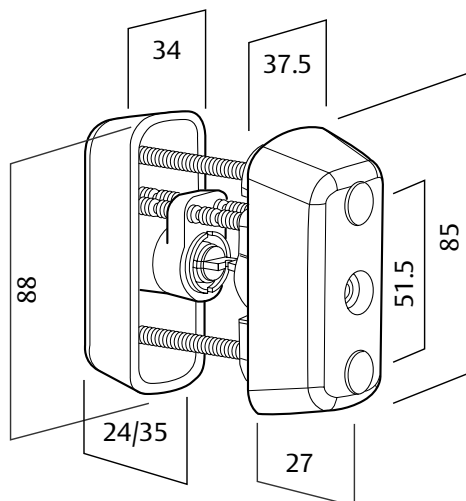
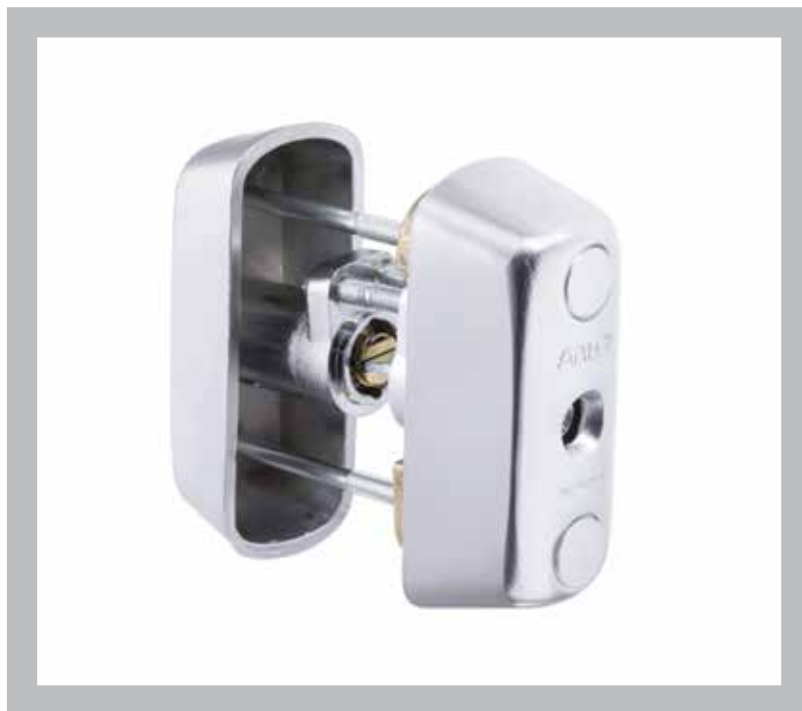
Finish: Satin Chrome Pearl

Keying Platforms

ABLOY® PROTEC² (T)

ABLOY® PROTEC (N)

ABLOY® DISKLOCK PRO (D)



Ordering Information

Product Description	Part Number
Assembled to code	CY065#/SC
Unassembled	CY065#UA/SC

* Refer to page 146 for all ordering specification information.

ABLOY® CY5150 Construction Cylinder

The 5150 rim cylinder is a replacement ABLOY type cylinder. Suitable for use with Rim locks RI001, RI002 and RI003. Meets BS EN1303 Grade 3.

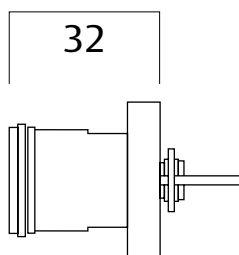
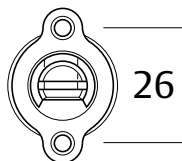
Number of Discs: 11
Retaining Screw Thread: M5

Material and Finishing

Material: Brass
Finish: Satin Chrome Pearl

Keying Platforms

ABLOY® PROTEC² (T)
ABLOY® PROTEC (N)
ABLOY® DISKLOCK PRO (D)
ABLOY® CLASSIC (C)



Ordering Information

Product Description	Part Number
Assembled Classic KD	5150CKD/SC
Unassembled	5150#UA/SC

* Refer to page 146 for all ordering specification information.

ABLOY® CY411,CY412,CY413 DeadBolt

High Security Deadbolt with adjustable bolt
(60 / 70mm backset)

NOTE: CLIQ version is approx. 5 mm longer than the
mechanical version



ABLOY® CY411,CY412,CY413 DeadBolt

Number of Discs: 11 (9 for CLIQ)

- UL Listed product
- Rotating Collar
- 6mm steel retaining screws
- High Security Bolt with 25mm throw
- Reinforced steel strike box
- Protective bolt shield
- 44.5mm hole preparation
- Suits door thickness 44.5mm
- Maximum door thickness 60mm

Material and Finishing

Material: Case Hardened Steel

Finish: Satin Chrome Brushed

Keying Platforms

ABLOY® PROTEC² CLIQ (T)

ABLOY® PROTEC² (T)

ABLOY® PROTEC CLIQ (N)

ABLOY® PROTEC (N)

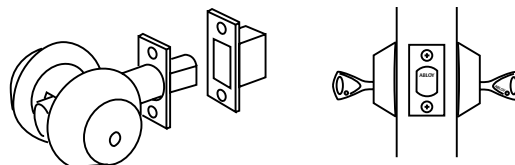
ABLOY® DISKLOCK PRO (D)

ABLOY® CLASSIC (C)

ABLOY® CLIQ Express (CE)

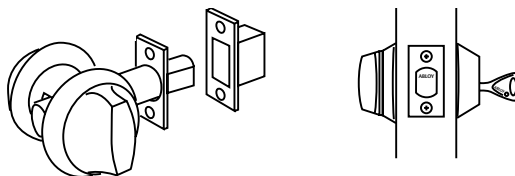
CY411

CY411# Double Cylinder with LC801# Bolt*
Bolt operated by key outside and inside.



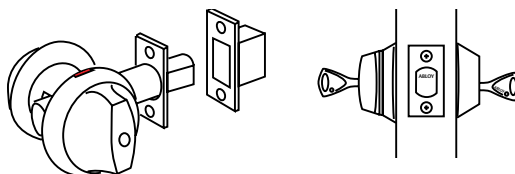
CY412

CY412# Single Cylinder with thumbturn and LC801# Bolt*
Bolt operated by key outside and thumbturn inside.



CY413

CY413# Single Cylinder with key lockable thumb turn and LC801# Bolt*
Bolt operated by key outside and thumbturn inside. Inside thumbturn can be locked with proper key to provide double cylinder security.



*LC801 Bolt is sold separately.

Ordering Information

Product Description	Part Number
Unassembled*	CY411#UA/SC
Unassembled*	CY413#UA/SC
Unassembled*	CY412#UA/SC
Adjustable bolt assembly	LC801SC

* Refer to page 146 for all ordering specification information.

Padlocks

ABLOY PADLOCK SERIES

PL320	PADLOCK SERIES	43
PL321	PADLOCK SERIES	45
PLLW330	PADLOCK CLIQ SERIES	47
PLLP330	PADLOCK CLIQ SERIES	49
PLM330	SUPER WEATHER PROOF PADLOCK SERIES	41
PL330	PADLOCK SERIES	53
PLLW340	PADLOCK CLIQ SERIES	55
PLM340	SUPER WEATHER PROOF PADLOCK SERIES	57
PL340	PADLOCK SERIES	59
PL341	PADLOCK SERIES	61
PL342	PADLOCK SERIES	63
PLLW350	PADLOCK CLIQ SERIES	65
PLM350	SUPER WEATHER PROOF PADLOCK SERIES	67
PL350	PADLOCK SERIES	69
PLLW362	PADLOCK CLIQ SERIES	71
PL362	PADLOCK SERIES	73
PL200	LOCKING PLATE	75
PL201	LOCKING PLATE	76
PL202	LOCKING PLATE	75
PL203	LOCKING PLATE	76
PL204	LOCKING PLATE	77
	ATTACHMENT CHAINS AO SERIES	78
PL320CHAINRING	PADLOCK ATTACHMENT CHAIN	79
PL330CHAINRING	PADLOCK ATTACHMENT CHAIN	79
PL340CHAINRING	PADLOCK ATTACHMENT CHAIN	79

ABLOY® Padlocks

Padlock Grading

ABLOY padlocks have been designed and manufactured to meet the requirements of the EN12320 padlock standard.




ABLOY padlocks continue to operate smoothly throughout exhaustive durability tests such as the acetic acid salt-spray test – they are therefore the best possible alternative for use in unprotected locations where the environmental conditions are severe.

Security Grades According to the EN12320 Padlock Standard

Requirements	1	2	3	4	5	6	
Minimum number of differs	300	1000	2500	5000	10 000	20 000	
Pulling of shackle/staple	3	5	15	30	70	100	kN
Twisting of shackle/staple	40	100	200	450	1200	2500	Nm
Cutting of shackle/staple	6	15	25	35	70	100	kN
Blow on shackle/staple (weight/g x height/mm) Test temperature			1250 x 800 -20°C	3050 x 1000 -20°C	6550 x 1400 -40°C	7150 x 1500 -40°C	x5 times
Blow on lock body (weight/g x height/mm) Test temperature			1250 x 800 -20°C	3050 x 1000 -20°C	6550 x 1400 -40°C	7150 x 1500 -40°C	x5 times
Load on cylinder plug or locking mechanism			4	5	10	15	kN
Drilling				2	4	8	min
Sawing				2	4	8	min
Torque resistance of cylinder plug			5	15	20	30	Nm

ABLOY® Padlocks

Padlock Comparison

	Body		Shackle						Keying				
	Grade	Material	Finish	Material	Finish	 mm	 mm	 mm	No of Discs	Rekeyable	Non rekeyable	Key removal in locked position only	Keying Platforms
PL362	6	CHS	Chrome	CHBS	Chrome	15	25	30	11	✓	✓	✓	C,N,T
PL350	5	CHS	Chrome	CHBS	Chrome	14	25	31	11	✓	✓	✓	C,N,D,T
PL350/50	5	CHS	Chrome	CHBS	Chrome	14	50	31	11	✓	✓	✓	C,N,D,T
PL342	4	CHS	Chrome	CHBS	Chrome	10	25	25	11	✓	✓	✓	C,N,T,B
PL340	4	CHS	Chrome	CHBS	Chrome	10	25	28	11	✓	✓	✓	C,N,D,T,B
PL340/50	4	CHS	Chrome	CHBS	Chrome	10	50	28	11	✓	✓	✓	C,N,D,T,B
PL341	3	Brass	Chrome	CHBS	Chrome	10	25	28	11	✓	✓	✓	C,N,T
PL341/50	3	Brass	Chrome	CHBS	Chrome	10	50	28	11	✓	✓	✓	C,N,T
PL330	3	Brass	Chrome	CHBS	Chrome	8	25	25	11	✓	✓	✓	C,N,D,T,B
PL330/50	3	Brass	Chrome	CHBS	Chrome	8	50	25	11	✓	✓	✓	C,N,D,T,B
PL330/100	NT	Brass	Chrome	CHBS	Chrome	8	100	25	11	✓	✓	✓	C,N,D,T
PL321/20	NT	Brass	Chrome	SS	Chrome	5	20	18	11	-	✓	✓	C,N,D,T,B
PL321/50	NT	Brass	Chrome	SS	Chrome	5	50	18	11	-	✓	✓	C,N,D,T,B
PL320/20	2	Brass	Chrome	SS	Chrome	5	20	18	9	-	✓	✓	C
PL320/50	NT	Brass	Chrome	SS	Chrome	5	50	18	9	-	✓	✓	C
PLW362	6	CHS	Chrome	CHBS	Chrome	15	25	30	9	-	✓	✓	N,T
PLW350	6	CHS	Chrome	CHBS	Chrome	14	25	31	9	-	✓	✓	N,T
PLW340	4	CHS	Chrome	CHBS	Chrome	10	25	28	9	-	✓	✓	N,T
PLW330	3	Brass	Chrome	CHBS	Chrome	8	25	25	9	-	✓	✓	N,T
PLM350	5	CHS	Chrome	CHBS	Chrome	14	25	31	11	✓	-	✓	T
PLM350/50	5	CHS	Chrome	CHBS	Chrome	14	50	31	11	✓	-	✓	T
PLM340	4	CHS	Chrome	CHBS	Chrome	10	25	28	11	✓	-	✓	B,T
PLM340/50	4	CHS	Chrome	CHBS	Chrome	10	50	28	11	✓	-	✓	B,T
PLM330	3	Brass	Chrome	CHBS	Chrome	8	25	25	11	✓	-	✓	B,T
PLM330/50	3	Brass	Chrome	CHBS	Chrome	8	50	25	11	✓	-	✓	B,T

NT = Not tested
 CHS = Case Hardened Steel
 CHBS = Case Hardened Boron Steel
 SS = Stainless Steel

ABLOY® PL320 Series Padlocks

ABLOY padlocks provide maximum resistance against physical attack. The hardened, free-spinning protection plate prevents drill bits from penetrating the lock. Further security is provided by the hardened stainless ball bearings locking the shackle at both ends.

The unique rotating disc cylinder system employed in ABLOY padlocks is effectively pick-proof and enables an extraordinarily wide range of comprehensive master keying options.

A multi-purpose padlock ideal for cash boxes, tool boxes, storage cabins, light machinery and lockers.



Standards and Compliance

EN 12320 Grade as listed

ABLOY® PL320 Series Padlocks

PL320/20

Grade: 2

Material and Finishing

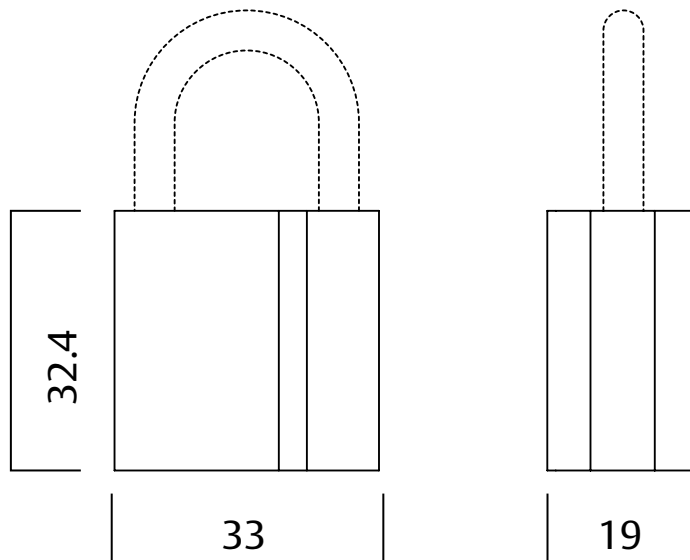
Material: Brass
Finish: Chrome

Shackle

Material: Stainless Steel
Finish: Chrome
Diameter: 5mm
Vertical Clearance: 20mm
Horizontal Clearance: 18mm
Number of Discs: 9
Key removable in locked position

Keying Platforms

ABLOY® CLASSIC



PL320/50

Grade: Not tested

Material and Finishing

Material: Brass
Finish: Chrome

Shackle

Material: Stainless Steel
Finish: Chrome
Diameter: 5mm
Vertical Clearance: 50mm
Horizontal Clearance: 18mm
Number of Discs: 9
Key removable in locked position

Keying Platforms

ABLOY® CLASSIC (C)

Ordering Information

Product Description	Part Number
Assembled CLASSIC KD	PL320CKD/20
Assembled CLASSIC KD	PL320CKD/50
Unassembled CLASSIC	PL320CUA/20
Unassembled CLASSIC	PL320CUA/50

ABLOY® PL321 Series Padlock

ABLOY padlocks provide maximum resistance against physical attack. The hardened, free-spinning protection plate prevents drill bits from penetrating the lock. Further security is provided by the hardened stainless ball bearings locking the shackle at both ends. The highest security can be provided by non-rekeyable construction.

The unique rotating disc cylinder system employed in ABLOY padlocks is effectively pick-proof and enables an extraordinarily wide range of comprehensive master keying options.

The PL321 is a multi-purpose padlock ideal for cash boxes, tool boxes, storage cabins, light machinery and lockers.



ABLOY® PL321 Series Padlock

PL321/20

Grade: Not tested

NOTE: The CLIQ version is 16.6mm higher than the mechanical version

Material and Finishing

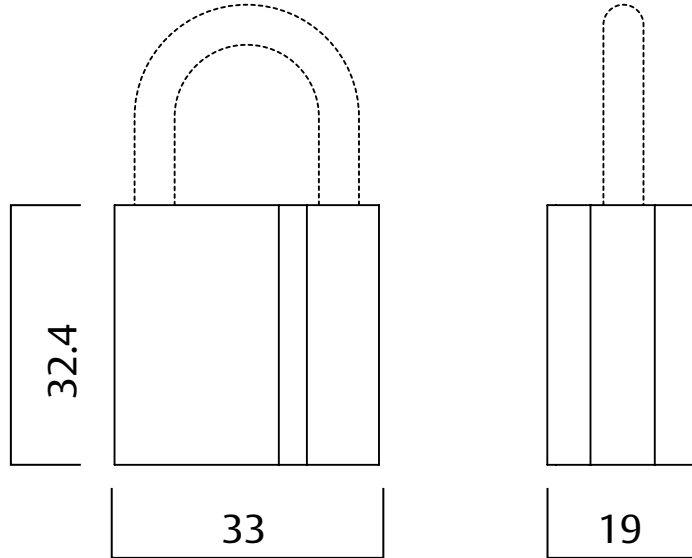
Material: Brass
Finish: Chrome

Shackle

Material: Stainless Steel
Finish: Chrome
Diameter: 5mm
Vertical Clearance: 20mm
Horizontal Clearance: 18mm
Number of Discs: 11 (9 for CLIQ)
Key removable in locked position

Keying Platforms

ABLOY® PROTEC2 CLIQ (T)
ABLOY® PROTEC2 (T)
ABLOY® PROTEC CLIQ (N)
ABLOY® PROTEC (N)
ABLOY® DISKLOCK PRO (D)
ABLOY® SENTRY (B)
ABLOY® CLIQ Express (CE)



PL321/50

Grade: Not tested

Material and Finishing

Material: Brass
Finish: Chrome

Shackle

Material: Stainless Steel
Finish: Chrome
Diameter: 5mm
Vertical Clearance: 50mm
Horizontal Clearance: 18mm
Number of Discs: 11
Key removable in locked position

Keying Platforms

ABLOY® PROTEC² (T)
ABLOY® PROTEC (N)
ABLOY® DISKLOCK PRO (D)
ABLOY® SENTRY (B)

Ordering Information

Product Description	Part Number
Assembled to Code	PL321#/20
Assembled to Code	PL321#/50
Unassembled	PL321#UA/20
Unassembled	PL321#UA/50

* Refer to page 146 for all ordering specification information.

ABLOY® PLLW330 Series CLIQ Padlocks

ABLOY® padlocks provide maximum resistance against physical attack. Security is provided by the hardened stainless ball bearings locking the shackle at both ends.

The unique rotating disc cylinder system employed in **ABLOY®** padlocks is effectively pick-proof and enables an extraordinarily wide range of comprehensive master keying options.

The PLLW330 is an all-purpose padlock of durable construction for storage doors, motorcycles, gates, trailers, power station switches etc.

Equipped with hardened boron steel shackle, diameter 8 mm.

ABLOY® SUPER WEATHER PROOF (SWP) padlocks is a locking solution in which the components are extremely well protected to ensure operation in all conditions. With an IP Rating of IP68 security is guaranteed even in extreme heat or cold, storm-driven salt water or fine desert dust.



ABLOY® PLLW330 Series CLIQ Padlocks

PLLW330/25

Grade: 3
IP Rating: IP68

Material and Finishing

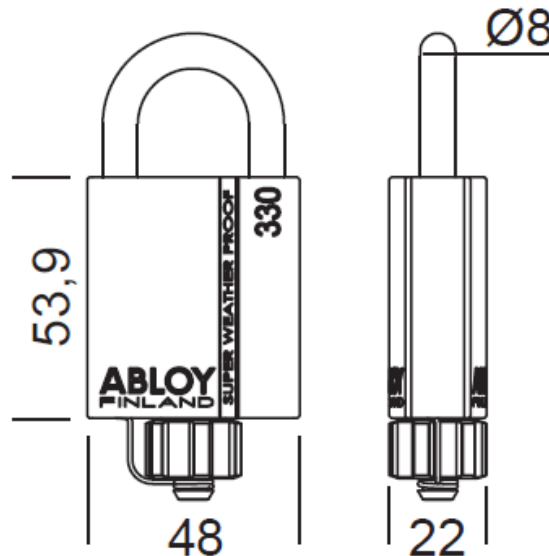
Material: Brass
Finish: Chrome

Shackle

Material: Case-hardened boron steel
Finish: Chrome
Diameter: 8mm
Vertical Clearance: 25mm
Horizontal Clearance: 25mm
Number of Discs: 9

Keying Platforms

ABLOY® PROTEC² CLIQ (T)
ABLOY® PROTEC CLIQ (N)
ABLOY® CLIQ Express (CE)



PLLW330/50

Grade: 3
IP Rating: IP68

Material and Finishing

Material: Brass
Finish: Chrome

Shackle

Material: Case-hardened boron steel
Finish: Chrome
Diameter: 8mm
Vertical Clearance: 50mm
Horizontal Clearance: 25mm
Number of Discs: 9

Keying Platforms

ABLOY® PROTEC² CLIQ (T)
ABLOY® PROTEC CLIQ (N)
ABLOY® CLIQ Express (CE)

Ordering Information

Product Description	Part Number
Assembled CLIQ to Code	PLLW330#/25
Assembled CLIQ to Code	PLLW330#/50

* Refer to page 146 for all ordering specification information.

ABLOY® PLLP330 Series CLIQ Padlocks

ABLOY® padlocks provide maximum resistance against physical attack. Security is provided by the hardened stainless ball bearings locking the shackle at both ends.

The unique rotating disc cylinder system employed in **ABLOY®** padlocks is effectively pick-proof and enables an extraordinarily wide range of comprehensive master keying options.

The PLLP330 is an all-purpose padlock of durable construction for storage doors, motorcycles, gates, trailers, power station switches etc.

Equipped with hardened boron steel shackle, diameter 8 mm.

ABLOY® PLLP padlocks is a locking solution in which the components are automatically protected from dust and dirt without the need for screwing on a cap.



ABLOY® PLLP330 Series CLIQ Padlocks

PLLP330/25

Grade: 3
IP Rating: IP54

Material and Finishing

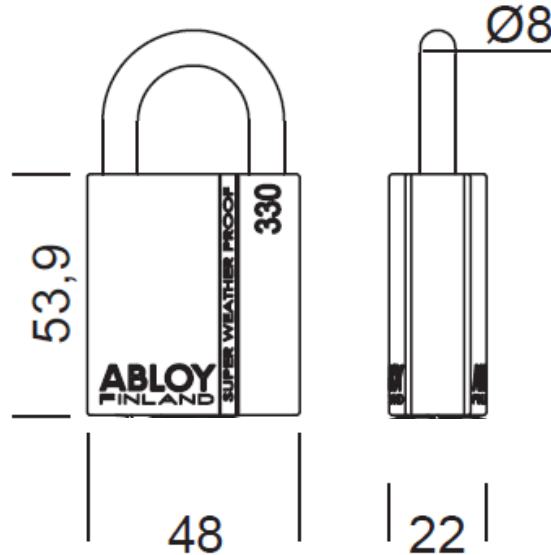
Material: Brass
Finish: Chrome

Shackle

Material: Case-hardened boron steel
Finish: Chrome
Diameter: 8mm
Vertical Clearance: 25mm
Horizontal Clearance: 25mm
Number of Discs: 9

Keying Platforms

ABLOY® PROTEC² CLIQ(T)
ABLOY® PROTEC CLIQ(N)
ABLOY® CLIQ Express (CE)



PLLP330/50

Grade: 3
IP Rating: IP54

Material and Finishing

Material: Brass
Finish: Chrome

Shackle

Material: Case-hardened boron steel
Finish: Chrome
Diameter: 8mm
Vertical Clearance: 50mm
Horizontal Clearance: 25mm
Number of Discs: 9

Keying Platforms

ABLOY® PROTEC² CLIQ(T)
ABLOY® PROTEC CLIQ(N)
ABLOY® CLIQ Express (CE)

Ordering Information

Product Description	Part Number
Assembled CLIQ to Code	PLLP330#/25
Assembled CLIQ to Code	PLLP330#/50
Assembled CLIQ to Code	PLLP330#/100
Retro-fit kit - PLLW330 to PLLP330	PLLP330KWPRFK

* Refer to page 146 for all ordering specification information.

ABLOY® PLM330 Series

Super Weather Proof Padlocks

ABLOY® padlocks provide maximum resistance against physical attack. The hardened, free-spinning protection plate prevents drill bits from penetrating the lock. Further security is provided by the hardened stainless ball bearings locking the shackle at both ends.

The unique rotating disc cylinder system employed in **ABLOY®** padlocks is effectively pick-proof and enables an extraordinarily wide range of comprehensive master keying options.

The PLM330 is an all-purpose padlock of durable construction for storage doors, motorcycles, gates, trailers, power station switches etc.

Equipped with hardened boron steel shackle, diameter 8 mm.

ABLOY® SUPER WEATHER PROOF (SWP) padlocks is a locking solution in which the components are extremely well protected to ensure operation in all conditions. Even in extreme heat or cold, storm-driven salt water or fine desert dust.



Standards and Compliance

EN 12320 Grade as listed

ABLOY® PLM330 Series

Super Weather Proof Padlocks

PLM330/25

Grade: 3

Material and Finishing

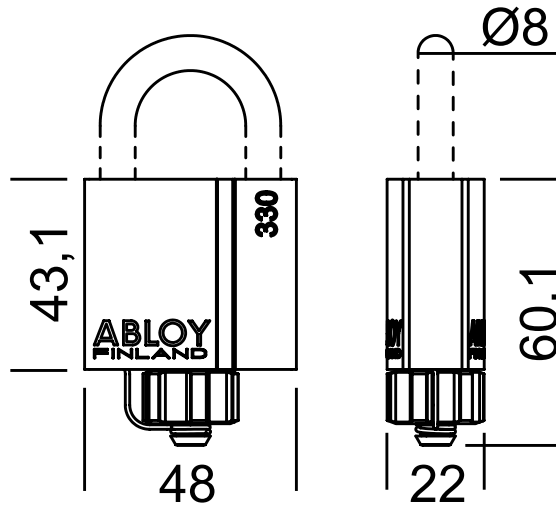
Material: Brass
Finish: Chrome

Shackle

Material: Case-hardened boron steel
Finish: Chrome
Diameter: 8mm
Vertical Clearance: 25mm
Horizontal Clearance: 25mm
Number of Discs: 11

Keying Platforms

ABLOY® PROTEC² (T)
ABLOY® SENTRY (B)



PLM330/50

Grade: 3

Material and Finishing

Material: Brass
Finish: Chrome

Shackle

Material: Case-hardened boron steel
Finish: Chrome
Diameter: 8mm
Vertical Clearance: 50mm
Horizontal Clearance: 25mm
Number of Discs: 11

Keying Platforms

ABLOY® PROTEC² (T)
ABLOY® SENTRY (B)

Ordering Information

Product Description	Part Number
Assembled to Code	PLM330#/25
Assembled to Code	PLM330#/50

* Refer to page 146 for all ordering specification information.

ABLOY® PL330 Series Padlock

ABLOY® padlocks provide maximum resistance against physical attack. The hardened, free-spinning protection plate prevents drill bits from penetrating the lock. Further security is provided by the hardened stainless ball bearings locking the shackle at both ends.

The unique rotating disc cylinder system employed in **ABLOY®** padlocks is effectively pick-proof and enables an extraordinarily wide range of comprehensive master keying options.

The PL330 is an all-purpose padlock of durable construction for storage doors, motorcycles, gates, trailers, power station switches etc.

Equipped with hardened boron steel shackle, diameter 8 mm.



Standards and Compliance

EN 12320 Grade as listed

ABLOY® PL330 Series Padlock

PL330/25

Grade: 3

Material and Finishing

Material: Brass

Finish: Chrome

Shackle

Material: Case-hardened boron steel

Finish: Chrome

Diameter: 8mm

Vertical Clearance: 25mm

Horizontal Clearance: 25mm

Number of Discs: 11

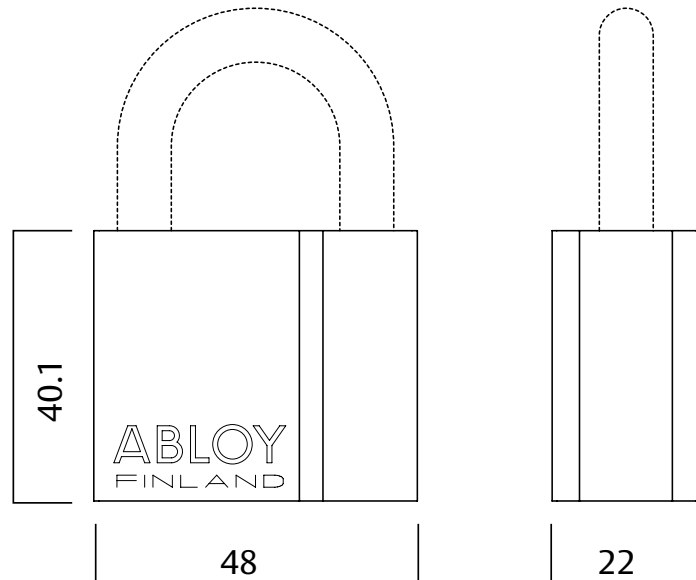
Keying Platforms

ABLOY® PROTEC² (T)

ABLOY® PROTEC (N)

ABLOY® DISKLOCK PRO (D)

ABLOY® SENTRY (B)



Ordering Information

Product Description	Part Number
Assembled to Code	PL330#/25
Assembled to Code	PL330#/50
Assembled to Code	PL330#/100
Assembled CLASSIC KD	PL330CKD/25
Assembled CLASSIC KD	PL330CKD/50
Assembled CLASSIC KD	PL330CKD/100
Unassembled	PL330#UA/25
Unassembled	PL330#UA/50
Unassembled	PL330#UA/100

* Refer to page 146 for all ordering specification information.

PL330/50

Grade: 3

Material and Finishing

Material: Brass

Finish: Chrome

Shackle

Material: Case-hardened boron steel

Finish: Chrome

Diameter: 8mm

Vertical Clearance: 50mm

Horizontal Clearance: 25mm

Number of Discs: 11

Keying Platforms

ABLOY® PROTEC² (T)

ABLOY® PROTEC (N)

ABLOY® DISKLOCK PRO (D)

ABLOY® SENTRY (B)

ABLOY® PLLW340 Series CLIQ Padlocks

ABLOY® padlocks provide maximum resistance against physical attack. The hardened, free-spinning protection plate prevents drill bits from penetrating the lock. Further security is provided by the hardened stainless ball bearings locking the shackle at both ends.

The unique rotating disc cylinder system employed in **ABLOY®** padlocks is effectively pick-proof and enables an extraordinarily wide range of comprehensive master keying options.

PLLW340 is an extra-strong padlock for applications where high security is required. Ideal for construction equipment, tractor trailers and remote storage areas, trucks, storage bins, roller-shutter doors and warehouses. The case-hardened steel body is highly resistant to all types of physical attack.

Equipped with hardened boron steel shackle, diameter 10mm.

ABLOY® SUPER WEATHER PROOF (SWP) padlocks is a locking solution in which the components are extremely well protected to ensure operation in all conditions. With an IP Rating of IP68 security is guaranteed even in extreme heat or cold, storm-driven salt water or fine desert dust.



ABLOY® PLLW340 Series CLIQ Padlocks

PLLW340/25

Grade: 4
IP Rating: IP68

Material and Finishing

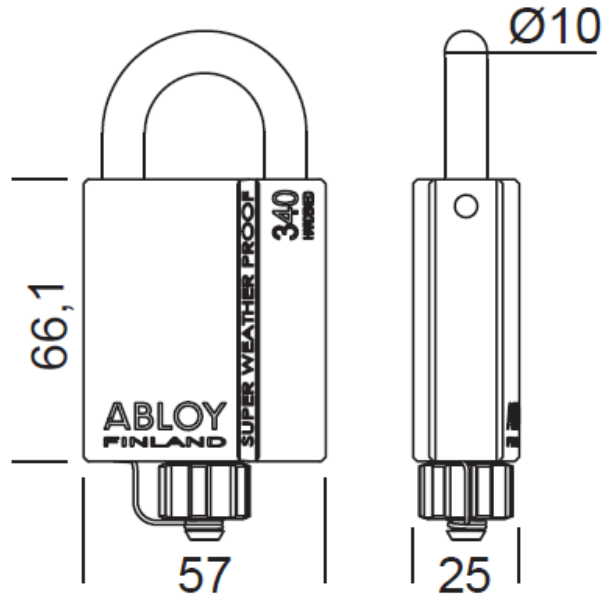
Material: Case-hardened steel
Finish: Chrome

Shackle

Material: Case-hardened boron steel
Finish: Chrome
Diameter: 10mm
Vertical Clearance: 25mm
Horizontal Clearance: 28mm
Number of Discs: 9

Keying Platforms

ABLOY® PROTEC² CLIQ (T)
ABLOY® PROTEC CLIQ (N)
ABLOY® CLIQ Express (CE)



PLLW340/50

Grade: 4
IP Rating: IP68

Material and Finishing

Material: Case-hardened steel
Finish: Chrome

Shackle

Material: Case-hardened boron steel
Finish: Chrome
Diameter: 10mm
Vertical Clearance: 50mm
Horizontal Clearance: 28mm
Number of Discs: 9

Keying Platforms

ABLOY® PROTEC² CLIQ (T)
ABLOY® PROTEC CLIQ (N)
ABLOY® CLIQ Express (CE)

Ordering Information

Product Description	Part Number
Assembled PROTEC CLIQ to Code	PLLW340#/25
Assembled PROTEC CLIQ to Code	PLLW340#/50

* Refer to page 146 for all ordering specification information.

ABLOY® PLM340 Series Super Water Proof Padlocks

ABLOY® padlocks provide maximum resistance against physical attack. The hardened, free-spinning protection plate prevents drill bits from penetrating the lock. Further security is provided by the hardened stainless ball bearings locking the shackle at both ends.

The unique rotating disc cylinder system employed in **ABLOY®** padlocks is effectively pick-proof and enables an extraordinarily wide range of comprehensive master keying options.

PLM340 is an extra-strong padlock for applications where high security is required. Ideal for construction equipment, tractor trailers and remote storage areas, trucks, storage bins, roller-shutter doors and warehouses. The case-hardened steel body is highly resistant to all types of physical attack.

Equipped with hardened boron steel shackle, diameter 10mm.

ABLOY® SUPER WEATHER PROOF (SWP) padlocks is a locking solution in which the components are extremely well protected to ensure operation in all conditions. Even in extreme heat or cold, storm-driven salt water or fine desert dust.



Standards and Compliance

EN 12320 Grade as listed

ABLOY® PLM340 Series

Super Water Proof Padlocks

PLM340/25

Grade: 4

Material and Finishing

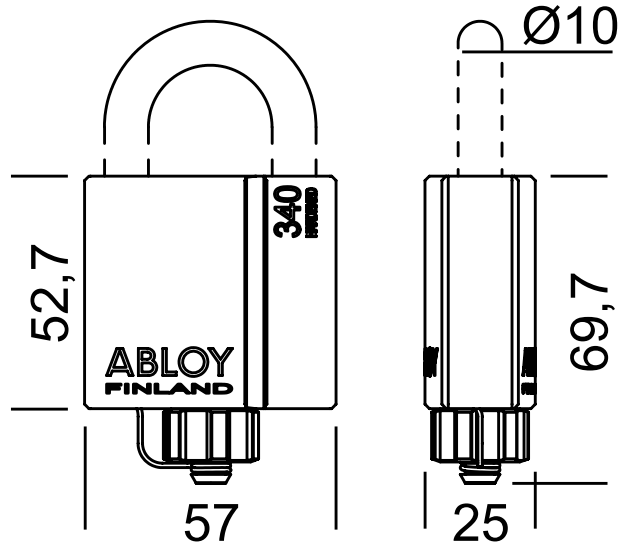
Material: Case-hardened steel
Finish: Chrome

Shackle

Material: Case-hardened boron steel
Finish: Chrome
Diameter: 10mm
Vertical Clearance: 25mm
Horizontal Clearance: 28mm
Number of Discs: 11

Keying Platforms

ABLOY® PROTEC² (T)
 ABLOY® SENTRY (B)



PLM340/50

Grade: 4

Material and Finishing

Material: Case-hardened steel
Finish: Chrome

Shackle

Material: Case-hardened boron steel
Finish: Chrome
Diameter: 10mm
Vertical Clearance: 50mm
Horizontal Clearance: 28mm
Number of Discs: 11

Keying Platforms

ABLOY® PROTEC² (T)
 ABLOY® SENTRY (B)

Ordering Information

Product Description	Part Number
Assembled to Code	PLM340#/25
Assembled to Code	PLM340#/50

* Refer to page 146 for all ordering specification information.

ABLOY® PL340 Series Padlock

ABLOY® padlocks provide maximum resistance against physical attack. The hardened, free-spinning protection plate prevents drill bits from penetrating the lock. Further security is provided by the hardened stainless ball bearings locking the shackle at both ends.

The unique rotating disc cylinder system employed in **ABLOY®** padlocks is effectively pick-proof and enables an extraordinarily wide range of comprehensive master keying options.

The PL340 extra-strong padlocks for applications where high security is required. Ideal for construction equipment, tractor trailers and remote storage areas, trucks, storage bins, roller-shutter doors and warehouses.

The case-hardened steel body is highly resistant to all types of physical attack.

Equipped with hardened boron steel shackle, diameter 10mm.



Standards and Compliance

EN 12320 Grade as listed

ABLOY® PL340 Series Padlock

PL340/25

Grade: 4

Material and Finishing

Material: Case-hardened steel

Finish: Chrome

Shackle

Material: Case-hardened boron steel

Finish: Chrome

Diameter: 10mm

Vertical Clearance: 25mm

Horizontal Clearance: 28mm

Number of Discs: 11

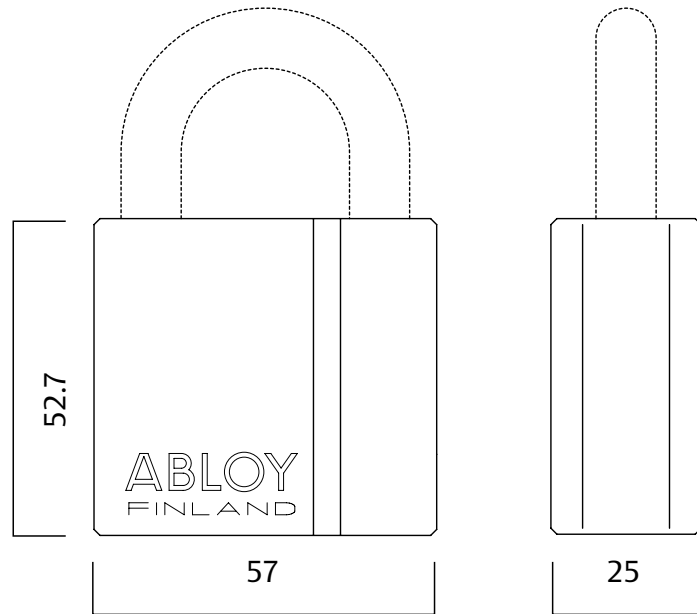
Keying Platforms

ABLOY® PROTEC² (T)

ABLOY® PROTEC (N)

ABLOY® DISKLOCK PRO (D)

ABLOY® SENTRY (B)



PL340/50

Grade: 4

Material and Finishing

Material: Case-hardened steel

Finish: Chrome

Shackle

Material: Case-hardened boron steel

Finish: Chrome

Diameter: 10mm

Vertical Clearance: 50mm

Horizontal Clearance: 28mm

Number of Discs: 11

Keying Platforms

ABLOY® PROTEC² (T)

ABLOY® PROTEC (N)

ABLOY® DISKLOCK PRO (D)

ABLOY® SENTRY (B)

Ordering Information

Product Description	Part Number
Assembled to Code	PL340#/25
Assembled to Code	PL340#/50
Assembled CLASSIC KD	PL340CKD/25
Assembled CLASSIC KD	PL340CKD/50
Unassembled	PL340#UA/25
Unassembled	PL340#UA/50

* Refer to page 146 for all ordering specification information.

ABLOY® PL341 Series Padlock

ABLOY® padlocks provide maximum resistance against physical attack. The hardened, free-spinning protection plate prevents drill bits from penetrating the lock. Further security is provided by the hardened stainless ball bearings locking the shackle at both ends. The highest security can be provided by non-rekeyable construction.

The unique rotating disc cylinder system employed in ABLOY padlocks is effectively pick-proof and enables an extraordinarily wide range of comprehensive master keying options.

The PL341 is a strong padlock for storage doors, gates and windows as well as trailers, protective bars, storage lockers, boats, roller-shutter doors etc.



Standards and Compliance

EN 12320 Grade as listed

ABLOY® PL341 Series Padlock

PL341/25

Grade: 3

Material and Finishing

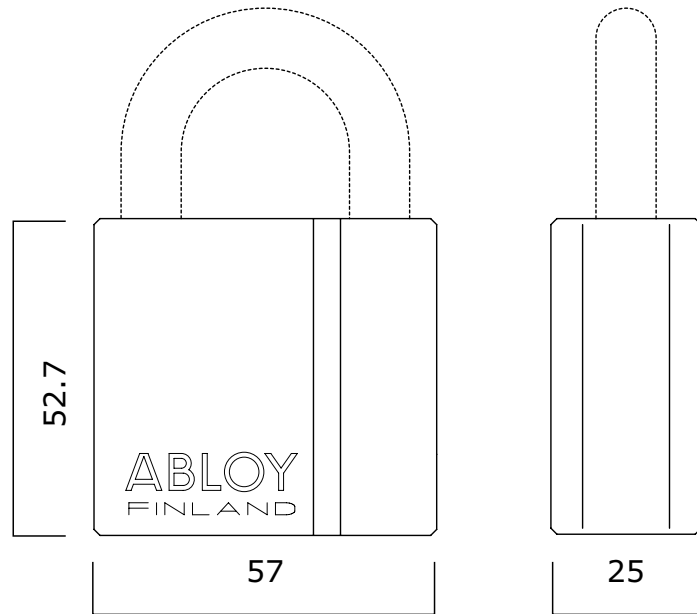
Material: Brass
Finish: Chrome

Shackle

Material: Case-hardened boron steel
Finish: Chrome
Diameter: 10mm
Vertical Clearance: 25mm
Horizontal Clearance: 28mm
Number of Discs: 11

Keying Platforms

ABLOY® PROTEC² (T)
ABLOY® PROTEC (N)
ABLOY® CLASSIC (C)



PL341/50

Grade: 3

Material and Finishing

Material: Brass
Finish: Chrome

Shackle

Material: Case-hardened boron steel
Finish: Chrome
Diameter: 10mm
Vertical Clearance: 50mm
Horizontal Clearance: 28mm
Number of Discs: 11

Keying Platforms

ABLOY® PROTEC² (T)
ABLOY® PROTEC (N)
ABLOY® CLASSIC (C)

Ordering Information

Product Description	Part Number
Assembled to Code	PL341#/25
Assembled to Code	PL341#/50
Assembled CLASSIC KD	PL341CKD/25
Assembled CLASSIC KD	PL341CKD/50
Unassembled	PL341#UA/25
Unassembled	PL341#UA/50

* Refer to page 146 for all ordering specification information.

ABLOY® PL342 Series Padlock

ABLOY® padlocks provide maximum resistance against physical attack. The hardened, free-spinning protection plate prevents drill bits from penetrating the lock. Further security is provided by the hardened stainless ball bearings locking the shackle at both ends.

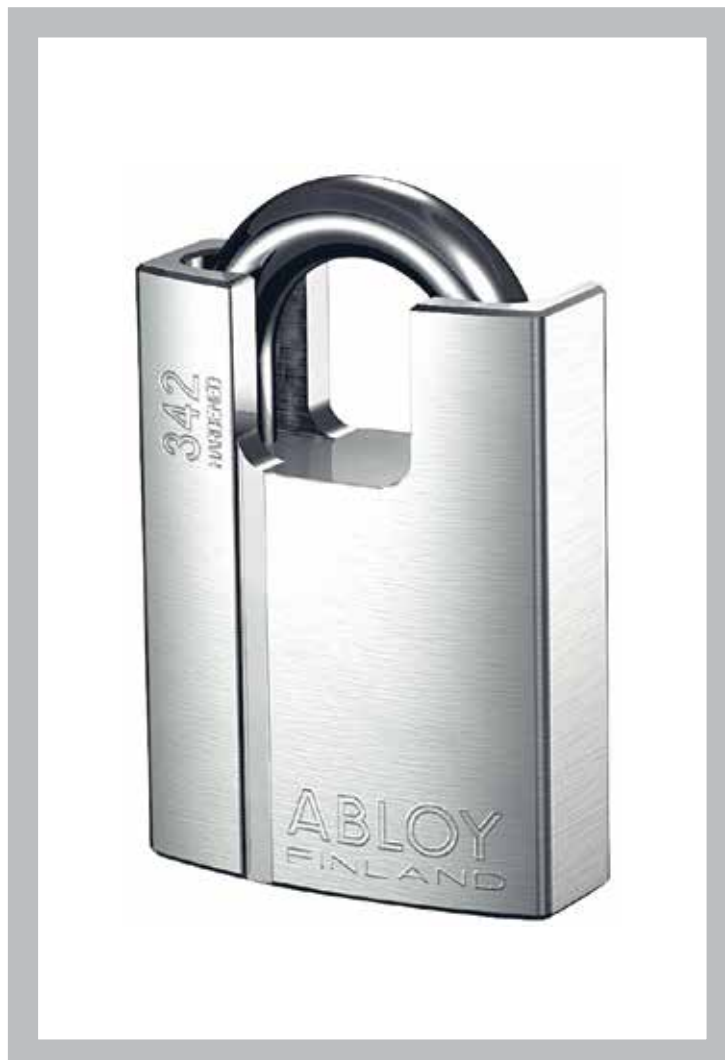
The unique rotating disc cylinder system employed in **ABLOY®** padlocks is effectively pick-proof and enables an extraordinarily wide range of comprehensive master keying options.

By extending the case-hardened steel body to surround the shackle we have made the PL342 padlock virtually impregnable against attack by cutting and prying tools.

Suitable for heavy sliding doors, train wagons, trucks, warehouses etc.

PL342 is equipped with case hardened boron steel shackle, diameter 10 mm.

For SCEC endorsed secure area applications this padlock must be fitted with a non-rekeyable **ABLOY®** PROTEC.



Standards and Compliance

EN 12320 Grade as listed

ABLOY® PL342 Series Padlock

Grade: 4

NOTE: The CLIQ version is 15.4mm higher than the mechanical version.

Material and Finishing

Material: Case-hardened steel

Finish: Chrome

Shackle

Material: Case-hardened boron steel

Finish: Chrome

Diameter: 10mm

Vertical Clearance: 25mm

Horizontal Clearance: 25mm

Number of Discs: 11 (9 for CLIQ)

Keying Platforms

ABLOY® PROTEC2 CLIQ (T)

ABLOY® PROTEC2 (T)

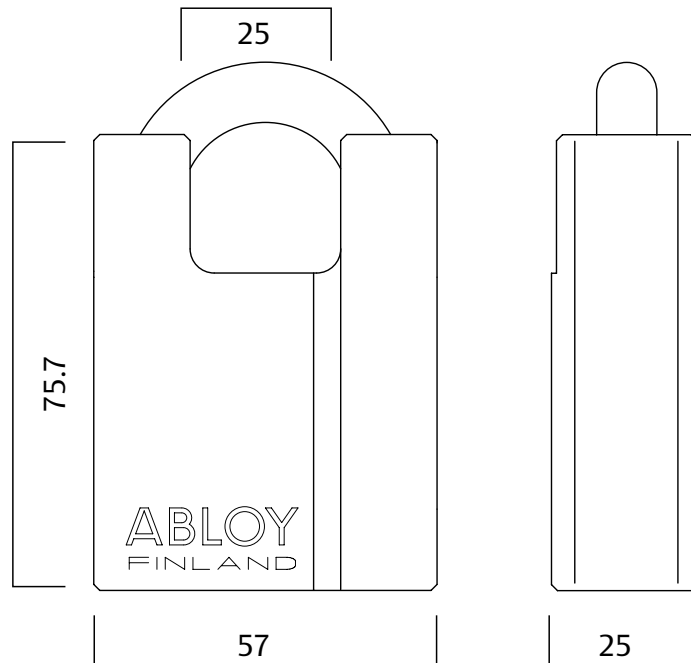
ABLOY® PROTEC CLIQ (N)

ABLOY® PROTEC (N)

ABLOY® SENTRY (B)

ABLOY® CLASSIC (C)

ABLOY® CLIQ Express (CE)



Ordering Information

Product Description	Part Number
Assembled to Code	PL342#/25
Assembled CLASSIC KD	PL342CKD/25
Unassembled	PL342#UA/25

* Refer to page 146 for all ordering specification information.

ABLOY® PLLW350 Series CLIQ Padlocks

ABLOY® padlocks provide maximum resistance against physical attack. The hardened, free-spinning protection plate prevents drill bits from penetrating the lock. Further security is provided by the hardened stainless ball bearings locking the shackle at both ends.

The unique rotating disc cylinder system employed in **ABLOY®** padlocks is effectively pick-proof and enables an extraordinarily wide range of comprehensive master keying options.

A case-hardened steel body provides the PLLW350 tough protection for high security applications, including Containers, Train wagons, Trucks & Lorries, Warehouses etc.

Equipped with case hardened boron steel shackle, diameter 14 mm.

ABLOY® SUPER WEATHER PROOF (SWP) padlocks is a locking solution in which the components are extremely well protected to ensure operation in all conditions. With an IP Rating of IP68 security is guaranteed even in extreme heat or cold, storm-driven salt water or fine desert dust.



ABLOY® PLLW350 Series CLIQ Padlocks

PLLW350/25

Grade: 5
IP Rating: IP68

Material and Finishing

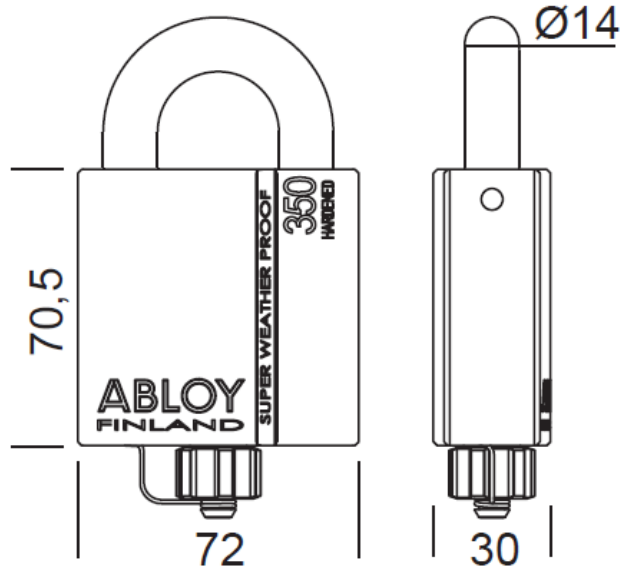
Material: Case-hardened steel
Finish: Chrome

Shackle

Material: Case-hardened boron steel
Finish: Chrome
Diameter: 14mm
Vertical Clearance: 25mm
Horizontal Clearance: 31mm
Number of Discs: 9

Keying Platforms

ABLOY® PROTEC² CLIQ (T)
ABLOY® PROTEC CLIQ (N)
ABLOY® CLIQ Express (CE)



PLLW350/50

Grade: 5
IP Rating: IP68

Material and Finishing

Material: Case-hardened steel
Finish: Chrome

Shackle

Material: Case-hardened boron steel
Finish: Chrome
Diameter: 14mm
Vertical Clearance: 50mm
Horizontal Clearance: 31mm
Number of Discs: 9

Keying Platforms

ABLOY® PROTEC² CLIQ (T)
ABLOY® PROTEC CLIQ (N)
ABLOY® CLIQ Express (CE)

Ordering Information

Product Description	Part Number
Assembled PROTEC CLIQ to Code	PLLW350#/25
Assembled PROTEC CLIQ to Code	PLLW350#/50

* Refer to page 146 for all ordering specification information.

ABLOY® PLM350 Series

Super Weather Proof Padlocks

ABLOY® padlocks provide maximum resistance against physical attack. The hardened, free-spinning protection plate prevents drill bits from penetrating the lock. Further security is provided by the hardened stainless ball bearings locking the shackle at both ends.

The unique rotating disc cylinder system employed in **ABLOY®** padlocks is effectively pick-proof and enables an extraordinarily wide range of comprehensive master keying options.

A case-hardened steel body provides the PLM350 tough protection for high security applications, including Containers, Train wagons, Trucks & Lorries, Warehouses etc.

Equipped with case hardened boron steel shackle, diameter 14 mm.

ABLOY® SUPER WEATHER PROOF (SWP) padlocks is a locking solution in which the components are extremely well protected to ensure operation in all conditions. Even in extreme heat or cold, storm-driven salt water or fine desert dust.



Standards and Compliance

EN 12320 Grade as listed

ABLOY® PLM350 Series

Super Weather Proof Padlocks

PLM350/25

Grade: 5

Material and Finishing

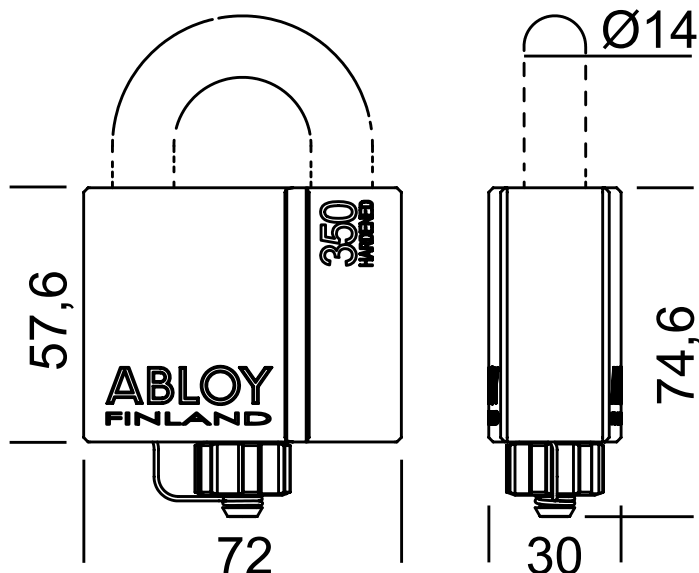
Material: Case-hardened steel
Finish: Chrome

Shackle

Material: Case-hardened boron steel
Finish: Chrome
Diameter: 14mm
Vertical Clearance: 25mm
Horizontal Clearance: 31mm
Number of Discs: 11

Keying Platforms

ABLOY® PROTEC² (T)



PLM350/50

Grade: 5

Material and Finishing

Material: Case-hardened steel
Finish: Chrome

Shackle

Material: Case-hardened boron steel
Finish: Chrome
Diameter: 14mm
Vertical Clearance: 50mm
Horizontal Clearance: 31mm
Number of Discs: 11

Keying Platforms

ABLOY® PROTEC² (T)

Ordering Information

Product Description	Part Number
Assembled to Code	PLM350#/25
Assembled to Code	PLM350#/50

* Refer to page 146 for all ordering specification information.

ABLOY® PL350 Series Padlock

ABLOY® padlocks provide maximum resistance against physical attack. The hardened, free-spinning protection plate prevents drill bits from penetrating the lock. Further security is provided by the hardened stainless ball bearings locking the shackle at both ends.

The unique rotating disc cylinder system employed in **ABLOY®** padlocks is effectively pick-proof and enables an extraordinarily wide range of comprehensive master keying options.

A case-hardened steel body provides the PL350 tough protection for high security applications, including Containers, Train wagons, Trucks & Lorries, Warehouses etc.

Equipped with case hardened boron steel shackle, diameter 14 mm.



Standards and Compliance

EN 12320 Grade as listed

ABLOY® PL350 Series Padlock

PL350/25

Grade: 5

Material and Finishing

Material: Case-hardened steel

Finish: Chrome

Shackle

Material: Case-hardened boron steel

Finish: Chrome

Diameter: 14mm

Vertical Clearance: 25mm

Horizontal Clearance: 31mm

Number of Discs: 11

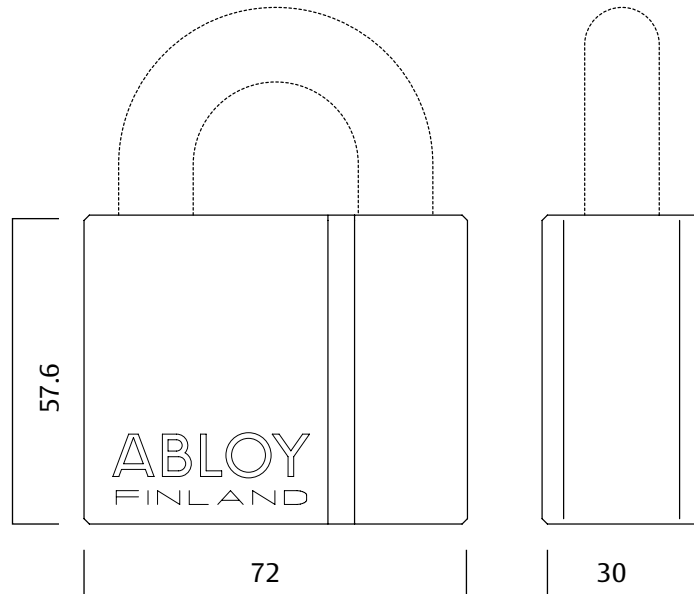
Keying Platforms

ABLOY® PROTEC² (T)

ABLOY® PROTEC (N)

ABLOY® DISKLOCK PRO (D)

ABLOY® CLASSIC (C)



PL350/50

Grade: 5

Material and Finishing

Material: Case-hardened steel

Finish: Chrome

Shackle

Material: Case-hardened boron steel

Finish: Chrome

Diameter: 14mm

Vertical Clearance: 50mm

Horizontal Clearance: 31mm

Number of Discs: 11

Keying Platforms

ABLOY® PROTEC² (T)

ABLOY® PROTEC (N)

ABLOY® DISKLOCK PRO (D)

ABLOY® CLASSIC (C)

Ordering Information

Product Description	Part Number
Assembled to Code	PL350#/25
Assembled to Code	PL350#/50
Assembled CLASSIC KD	PL350CKD/25
Assembled CLASSIC KD	PL350CKD/50
Unassembled	PL350#UA/25
Unassembled	PL350#UA/50

* Refer to page 146 for all ordering specification information.

ABLOY® PLLW362 Series CLIQ Padlocks

ABLOY® padlocks provide maximum resistance against physical attack. The hardened, free-spinning protection plate prevents drill bits from penetrating the lock. Further security is provided by the hardened stainless ball bearings locking the shackle at both ends.

The unique rotating disc cylinder system employed in **ABLOY®** padlocks is effectively pick-proof and enables an extraordinarily wide range of comprehensive master keying options.

For applications where maximum security is required. Case-hardened steel body with raised shoulders and a top-loaded cylinder provide the highest level of security and protection.

Applications include containers, train wagons, trucks, lorries, heavy sliding doors, military applications etc. PLLW362 is equipped with a case hardened boron steel shackle, diameter 15 mm.

ABLOY® SUPER WEATHER PROOF (SWP) padlocks is a locking solution in which the components are extremely well protected to ensure operation in all conditions. With an IP Rating of IP68 security is guaranteed even in extreme heat or cold, storm-driven salt water or fine desert dust.



ABLOY® PLLW362 Series CLIQ Padlocks

Grade: 6
IP Rating: IP68

Material and Finishing

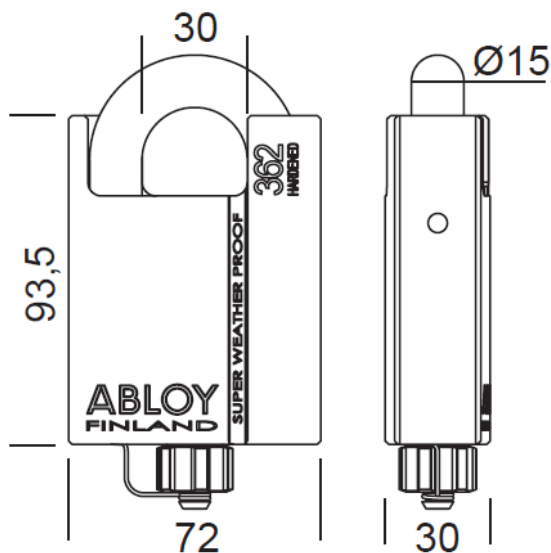
Material: Case-hardened steel
Finish: Chrome

Shackle

Material: Case-hardened boron steel
Finish: Chrome
Diameter: 15mm
Vertical Clearance: 25mm
Horizontal Clearance: 30mm
Number of Discs: 9

Keying Platforms

ABLOY® PROTEC² CLIQ (T)
ABLOY® PROTEC CLIQ (N)
ABLOY® CLIQ Express (CE)



Ordering Information

Product Description	Part Number
Assembled CLIQ to Code	PLLW362#/25

* Refer to page 146 for all ordering specification information.

ABLOY® PL362 Series Padlock

ABLOY® padlocks provide maximum resistance against physical attack. The hardened, free-spinning protection plate prevents drill bits from penetrating the lock. Further security is provided by the hardened stainless ball bearings locking the shackle at both ends.

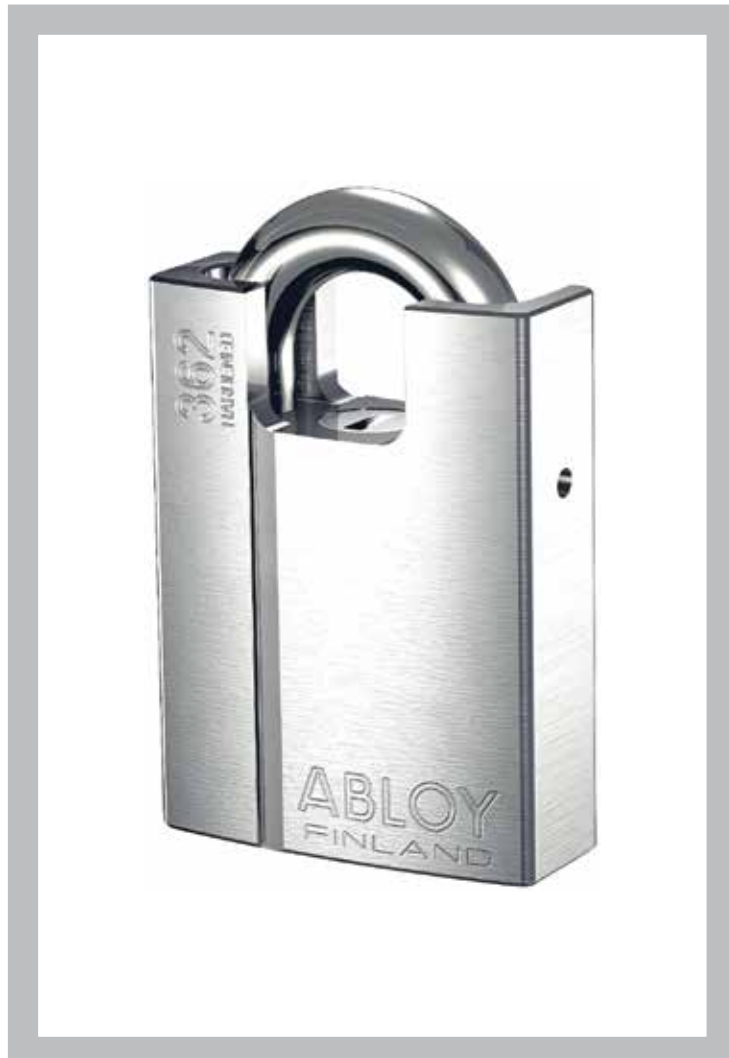
The unique rotating disc cylinder system employed in ABLOY® padlocks is effectively pick-proof and enables an extraordinarily wide range of comprehensive master keying options.

For applications where maximum security is required.

Case-hardened steel body with raised shoulders and a top-loaded cylinder provide the highest level of security and protection.

Applications include containers, train wagons, trucks, lorries, heavy sliding doors, military applications etc.

PL362 is equipped with a case hardened boron steel shackle, diameter 15 mm.



Standards and Compliance

EN 12320 Grade as listed

ABLOY® PL362 Series Padlock

Grade: 6

Material and Finishing

Material: Case-hardened steel

Finish: Chrome

Shackle

Material: Case-hardened boron steel

Finish: Chrome

Diameter: 15mm

Vertical Clearance: 25mm

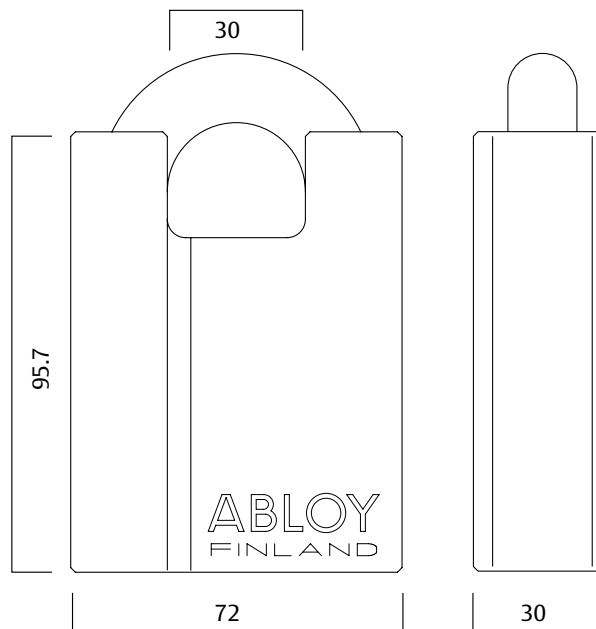
Horizontal Clearance: 30mm

Number of Discs: 11

Keying Platforms

ABLOY® PROTEC² (T)

ABLOY® PROTEC (N)



Ordering Information

Product Description	Part Number
Assembled to Code	PL362#/25
Unassembled	PL362#UA/25

* Refer to page 146 for all ordering specification information.

ABLOY® PL200, PL202 Locking Plate

PL200

For right-handed doors

Grade: 3

Material and Finishing

Material: Case-hardened steel

Finish: Zinc plated, polyester-coated

Shackle

12 mm shackle hole

For frame fixing

Zinc-plated, polyester-coated

case-hardened steel

Fixing screws included

PL202

For left-handed doors

Grade: 3

Material and Finishing

Material: Case-hardened steel

Finish: Zinc plated, polyester-coated

Shackle

12 mm shackle hole

For frame fixing

Zinc-plated, polyester-coated

case-hardened steel

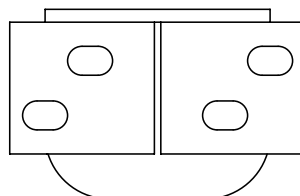
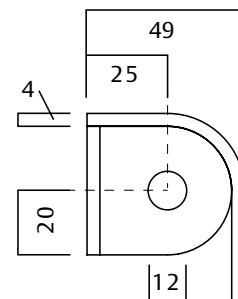
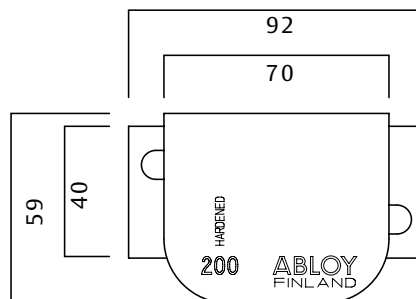
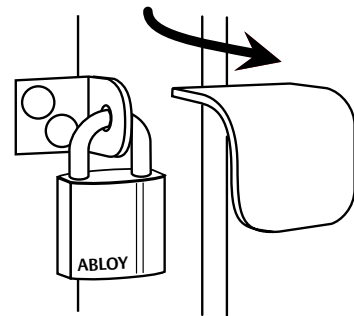
Fixing screws included



Standards and Compliance

EN 12320 Grade as listed

RIGHT HAND SHOWN



ABLOY® PL201, PL203 Locking Plate

PL201

For right-handed doors

Grade: 4

Material and Finishing

Material: Case-hardened steel

Finish: Zinc plated, polyester-coated

Shackle

18 mm shackle hole

For frame fixing

Zinc-plated, polyester-coated

case-hardened steel

Fixing screws included

PL203

For left-handed doors

Grade: 4

Material and Finishing

Material: Case-hardened steel

Finish: Zinc plated, polyester-coated

Shackle

18 mm shackle hole

For frame fixing

Zinc-plated, polyester-coated

case-hardened steel

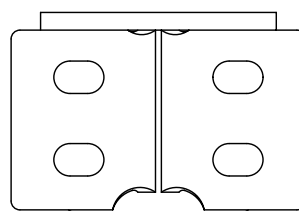
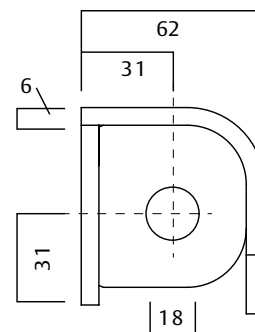
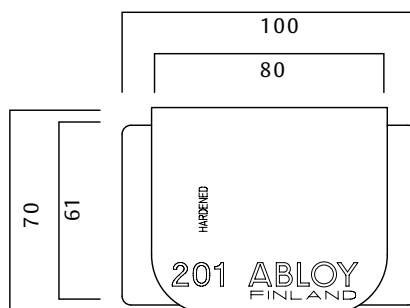
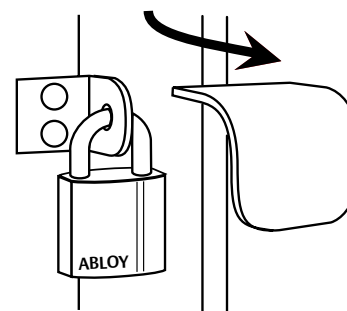
Fixing screws included



Standards and Compliance

EN 12320 Grade as listed

RIGHT HAND SHOWN



ABLOY® PL204 Locking Plate

Non-handed doors

Grade: 4

Material and Finishing

Material: Case-hardened steel

Finish: Zinc plated, polyester-coated

Shackle

12 mm shackle hole

Non-handed

For frame fixing

Zinc-plated, polyester-coated case-hardened steel

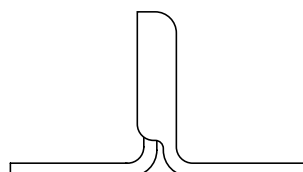
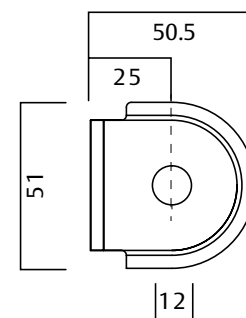
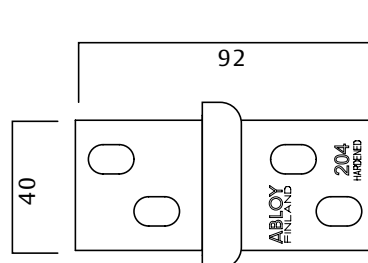
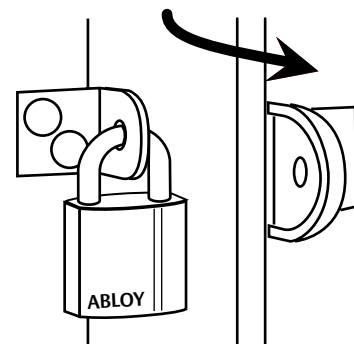
Fixing screws included



Standards and Compliance

EN 12320 Grade as listed

RIGHT HAND SHOWN



ABLOY® Padlock Attachment Chains - AO Series

Attachment chains make it easier to ensure that a padlock does not get mislaid while the object it secures is open. These chains are not designed to be part of a security installation.

Material and Finishing

Material: Stainless Steel

Length: 260mm



Ordering Information

Product Description	Part Number
Attachment chain & collar for 8mm shackle	SP825900
Attachment chain & collar for 10mm shackle	SP825280

* Refer to page 146 for all ordering specification information.

ABLOY® Padlock Attachment Chains - AAA Series

Material and Finishing

Material: Galvanised steel chain / stainless steel collar

Length: 300mm



Ordering Information

Product Description	Part Number
Attachment chain (4mm) & collar for 5mm shackle	PL320CHAINRING
Attachment chain (6mm) & collar for 8mm shackle	PL330CHAINRING
Attachment chain (6mm) & collar for 10mm shackle	PL340CHAINRING

* Refer to page 146 for all ordering specification information.

Cam Locks & Other Industrial Products

UNIVERSAL CAM LOCK RANGE

CL100	CAM LOCK	84
CL101	CAM LOCK	85
CL103	CAM LOCK	86
CL104	CAM LOCK	88
CL105	CAM LOCK	89
CL106	CAM LOCK	87
CL107	CAM LOCK	90
CL109	CAM LOCK	91

US CAM LOCK RANGE

CL200	CAM LOCK	92
CL201	CAM LOCK	93
CL202	CAM LOCK	94
CL203	CAM LOCK	95
CL204	CAM LOCK	96

UNIVERSAL CAMS 97

CAM LOCK ACCESSORIES 99

KEY OPERATED SWITCH LOCKS

EP400	SWITCH LOCK	100
EP401	SWITCH LOCK	100
EP402	SWITCH LOCK	100

T HANDLE LOCKS

CL290	T-HANDLE LOCK	101
CL291	T-HANDLE LOCK	101

SAFE DEPOSIT LOCKS

SC210	SAFE LOCK	102
SC211	SAFE LOCK	103

KEY DEPOSIT TUBES

KD201	KEY DEPOSIT TUBE	104
KD202	KEY DEPOSIT TUBE	104

ABLOY® Cam Lock

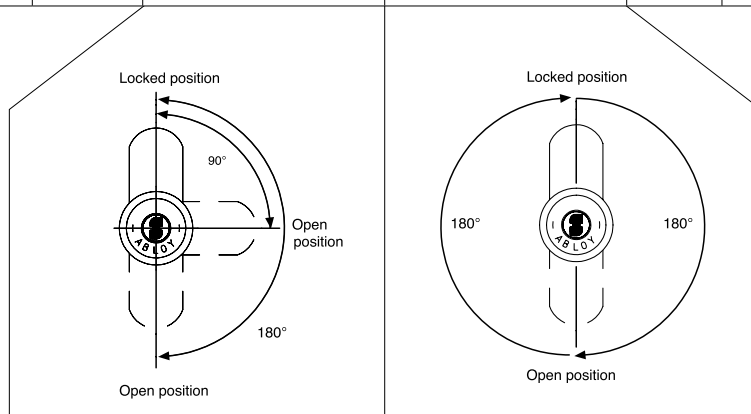
Cam Lock Comparison

	Product Dimension (mm)			Cam turns 90 / 180 RH (Clockwise). Key removable in locked position only (0)*	Cam turns 360 RH (Clockwise). Key removable in 2 positions (0 & 180)	No. of Discs	Cylinder Housing Material	Keying Platform
	Overall Length	Max Door Thickness	Cam Distance					
Universal Range								
CL100	37	13.5	22.5	✓	-	11	Brass	C, B, T, N
CL101	37	13.5	22.5	-	✓	11	Brass	C, T, N
CL103	43	19.5	28.5	✓	-	11	Brass	C, B, T, N
CL104	33	9.5	18.5	✓	-	9	Brass	C, B, N
CL105	33	9.5	18.5	✓	-	9	Steel	C, B, N
CL106	43	19.5	28.5	-	✓	11	Brass	C, B, T, N
CL107	33	9.5	18.5	-	✓	9	Brass	C, N
CL109	29	5.5	14.5	✓	-	7	Brass	C
US Range								
CL200	34.5	9.5	18.5	✓	-	9	Brass	C, B, N
CL201	34.5	9.5	18.5	✓	-	9	Steel	C, N
CL202	44.5	19.5	28.5	✓	-	11	Brass	C, B, N
CL203	38.5	13.5	22.5	✓	-	11	Brass	C, N
CL204	36.3	9.5	18.5	✓	-	9	Steel	N

NOTE: Cam Locks are Right Hand (Clockwise) rotation as standard. For Left Hand (anti-clockwise) non standard product contact the sales office

* Cam locks can be changed from 90 to 180 with the standard governor supplied

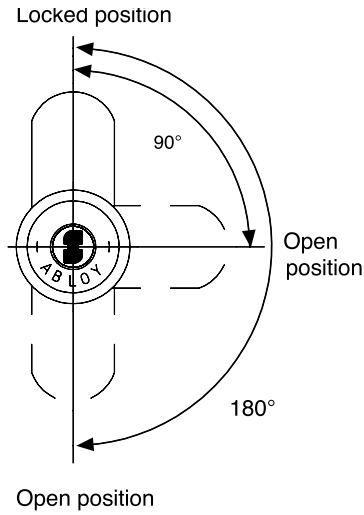
**Only 11 disc products can be keyed to door cylinders.



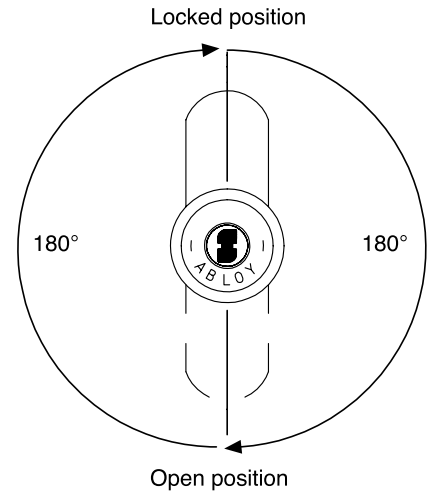
ABLOY® Cam Locks

Cam Turns

Lock Types
CL100
CL103
CL104
CL105
CL109
CL200
CL201
CL202
CL203
CL204
CL205

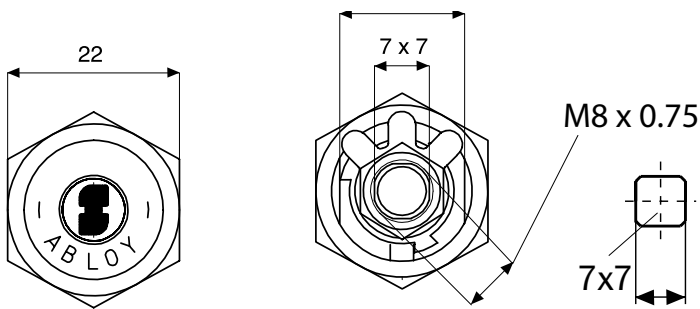


Lock Types
CL101
CL106
CL107

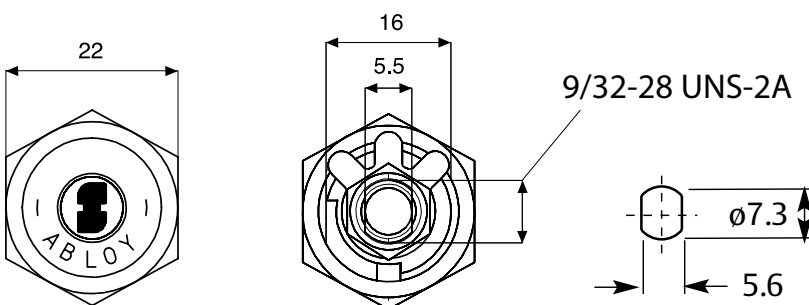


NOTE: Cam Locks are Right Hand (Clockwise) rotation as standard. For Left Hand (anti-clockwise) non standard product contact the sales office

Universal Specifications

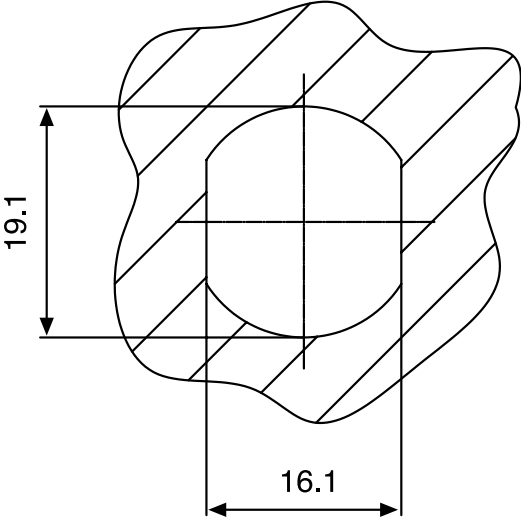


US Specifications



ABLOY® Cam Locks

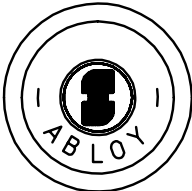
Dimension of Fitting a Hole



Construction and Finish

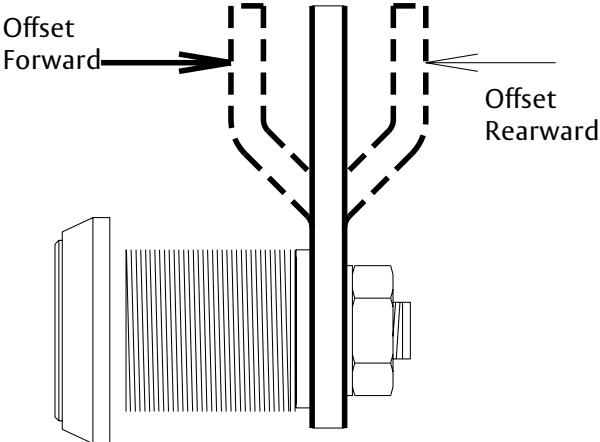
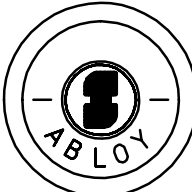
Brass Cylinder

Two vertical marks on cylinder face
Cylinder housing: Chrome-plated brass



Steel Cylinder

Two horizontal marks on cylinder face
Cylinder housing: Chrome-plated case hardened steel



ABLOY® CL100 Cam Locks

CL100

Cam turns: key removable 90°/180°
in locked position only

Number of discs: 11

Range: Universal

Can be master keyed with door cylinders

Material and Finishing

Cylinder Housing: Brass

Finish: Chrome Plate

Product Dimensions

Overall Length: 37mm

Maximum Door Thickness: 13.5mm

Cam Distance: 22.5mm

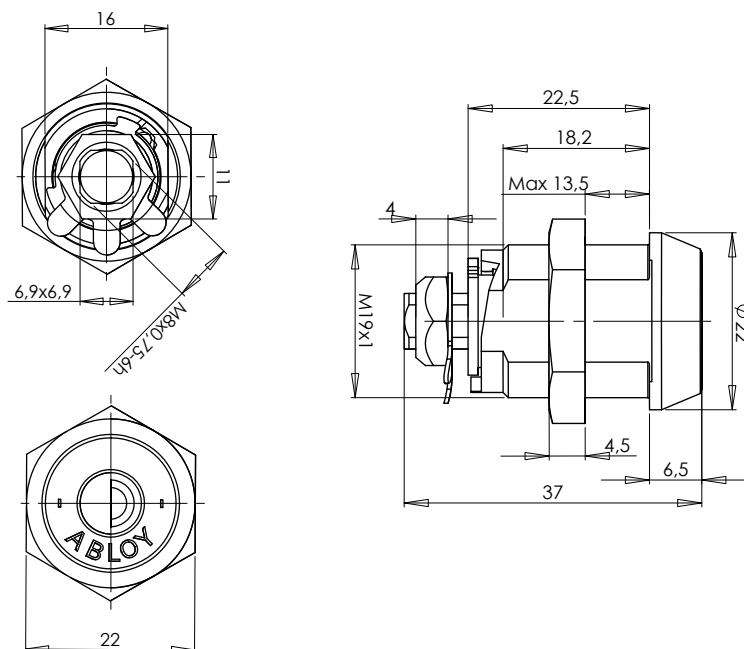
Keying Platforms

ABLOY® PROTEC² (T)

ABLOY® PROTEC (N)

ABLOY® CLASSIC (C)

ABLOY® SENTRY (B)



Ordering Information

Product Description	Part Number
Assembled to Code	CL100#/CP
Assembled CLASSIC KD	CL100CKD/CP
Unassembled	CL100#UA/CP

* Refer to page 146 for all ordering specification information.

ABLOY® CL101 Cam Locks

CL101

Cam turns: key removable 90°/180°
in locked and unlocked positions

Number of discs: 11

Range: Universal

Can be master keyed with door cylinders

Material and Finishing

Cylinder Housing: Brass

Finish: Chrome Plate

Product Dimensions

Overall Length: 37mm

Maximum Door Thickness: 13.5mm

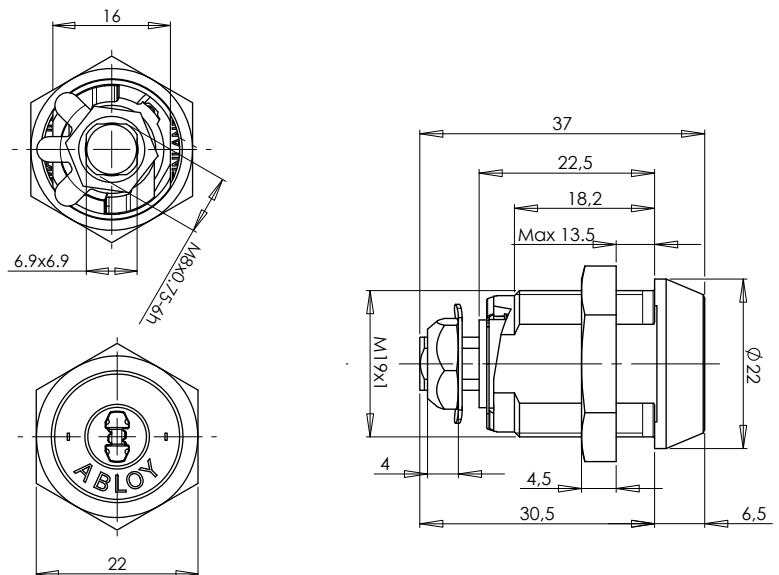
Cam Distance: 22.5mm

Keying Platforms

ABLOY® PROTEC² (T)

ABLOY® PROTEC (N)

ABLOY® CLASSIC (C)



Ordering Information

Product Description	Part Number
Assembled to Code	CL101#/CP
Assembled CLASSIC KD	CL101CKD/CP
Unassembled PROTEC	CL101NUA/CP

* Refer to page 146 for all ordering specification information.

ABLOY® CL103 Cam Locks

CL103

Cam turns: key removable 90°/180°
in locked position only
Number of discs: 11 (9 for CLIQ)
Range: Universal
Can be master keyed with door cylinders

Material and Finishing

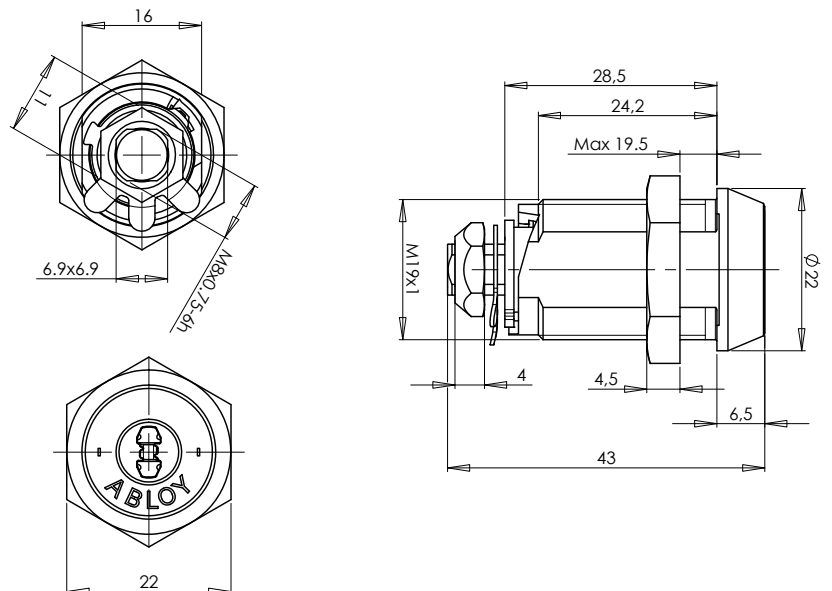
Cylinder Housing: Brass
Finish: Chrome Plate

Product Dimensions

Overall Length: 43mm (46 for CLIQ)
Maximum Door Thickness: 19.5mm
Cam Distance: 28.5mm

Keying Platforms

ABLOY® PROTEC² CLIQ (T)
ABLOY® PROTEC² (T)
ABLOY® PROTEC CLIQ (N)
ABLOY® PROTEC (N)
ABLOY® DISKLOCK PRO (D)
ABLOY® CLASSIC (C)
ABLOY® SENTRY (B)
ABLOY® CLIQ Express (CE)



Ordering Information

Product Description	Part Number
Assembled to Code	CL103#/CP
Assembled CLIQ	CLL130#/CP
Assembled CLASSIC KD	CL103CKD/CP
Unassembled	CL103#UA/CP

* Refer to page 146 for all ordering specification information.

ABLOY® CL106 Cam Locks

CL106

Cam turns: key removable 0°/180°
in locked and unlocked positions

Number of discs: 11

Range: Universal

Can be master keyed with door cylinders

Material and Finishing

Cylinder Housing: Brass

Finish: Chrome Plate

Product Dimensions

Overall Length: 43mm

Maximum Door Thickness: 19.5mm

Cam Distance: 28.5mm

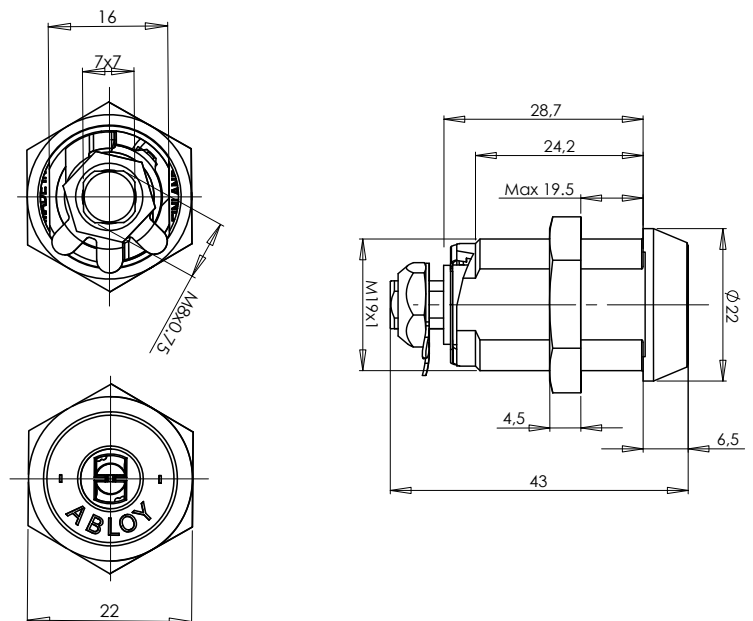
Keying Platforms

ABLOY® PROTEC² (T)

ABLOY® PROTEC (N)

ABLOY® CLASSIC (C)

ABLOY® SENTRY (B)



Ordering Information

Product Description	Part Number
Assembled to Code	CL106#/CP
Assembled CLASSIC KD	CL106CKD/CP
Unassembled	CL106#UA/CP

* Refer to page 146 for all ordering specification information.

ABLOY® CL104 Cam Locks

CL104

Cam turns: key removable 90°/180°
in locked position only

Number of discs: 9

Range: Universal

Material and Finishing

Cylinder Housing: Brass

Finish: Chrome Plate

Product Dimensions

Overall Length: 33mm

Maximum Door Thickness: 9.5mm

Cam Distance: 18.5mm

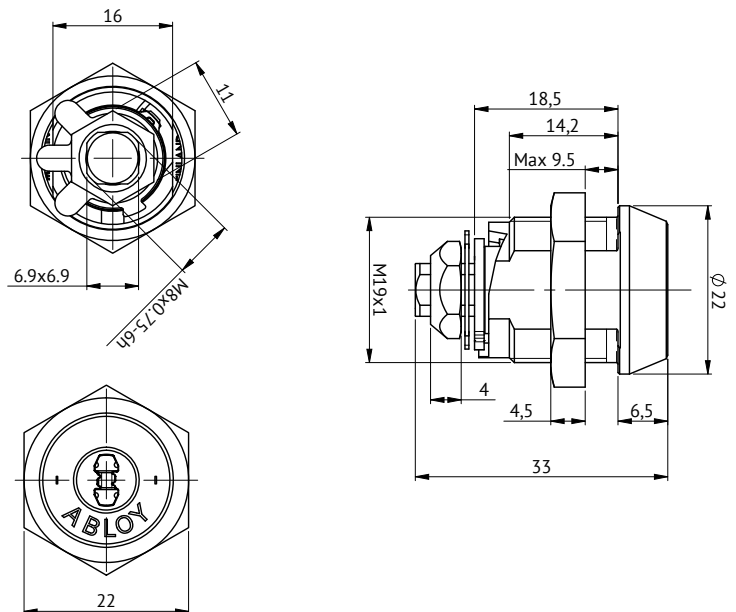
Keying Platforms

ABLOY® PROTEC (N)

ABLOY® CLASSIC (C)

ABLOY® DISKLOCK PRO (D)

ABLOY® SENTRY (B)



Ordering Information

Product Description	Part Number
Assembled to Code	CL104#/CP
Assembled CLASSIC KD	CL104CKD/CP
Unassembled	CL104#UA/CP

* Refer to page 146 for all ordering specification information.

ABLOY® CL105 Cam Locks

CL105

Cam turns: key removable 90°/180°
in locked position only

Number of discs: 9

Range: Universal

Material and Finishing

Cylinder Housing: Steel

Finish: Chrome Plate

Product Dimensions

Overall Length: 33mm

Maximum Door Thickness: 9.5mm

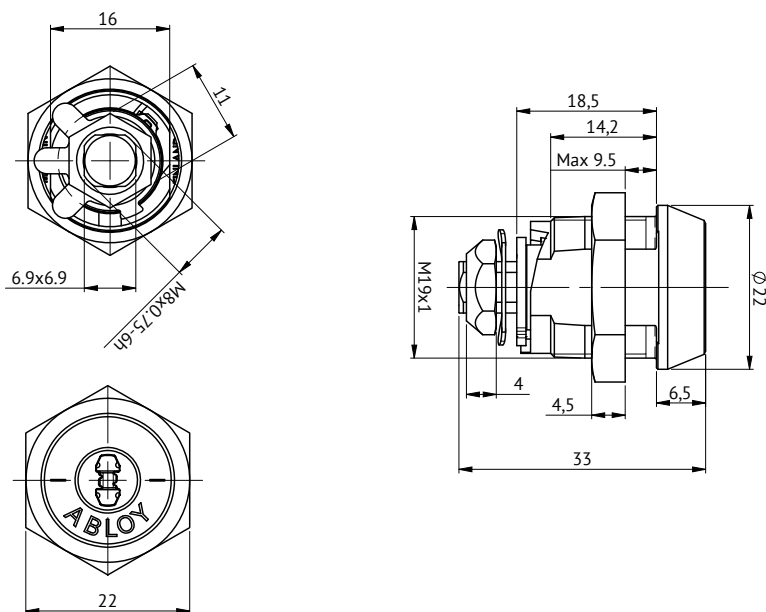
Cam Distance: 18.5mm

Keying Platforms

ABLOY® PROTEC (N)

ABLOY® CLASSIC (C)

ABLOY® SENTRY (B)



Ordering Information

Product Description	Part Number
Assembled to Code	CL105#/CP
Assembled CLASSIC KD	CL105CKD/CP
Unassembled	CL105#UA/CP

* Refer to page 146 for all ordering specification information.

ABLOY® CL107 Cam Locks

Cam turns: key removable 0°/180°
in locked and unlocked position

Number of discs: 9

Range: Universal

Material and Finishing

Cylinder Housing: Brass

Finish: Chrome Plate

Product Dimensions

Overall Length: 33mm

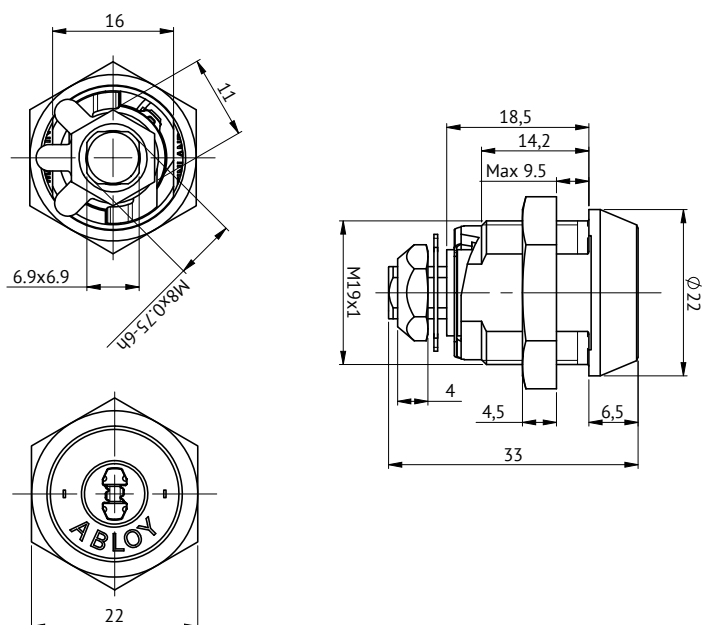
Maximum Door Thickness: 9.5mm

Cam Distance: 18.5mm

Keying Platforms

ABLOY® PROTEC (N)

ABLOY® CLASSIC (C)



Ordering Information

Product Description	Part Number
Assembled to Code	CL107#/CP
Assembled CLASSIC KD	CL107CKD/CP
Unassembled	CL107NUA/CP

* Refer to page 146 for all ordering specification information.

ABLOY® CL109 Cam Locks

Cam turns: key removable 90°/180° in locked position only

Number of discs: 7

Range: Universal

Material and Finishing

Cylinder Housing: Brass

Finish: Chrome Plate

Product Dimensions

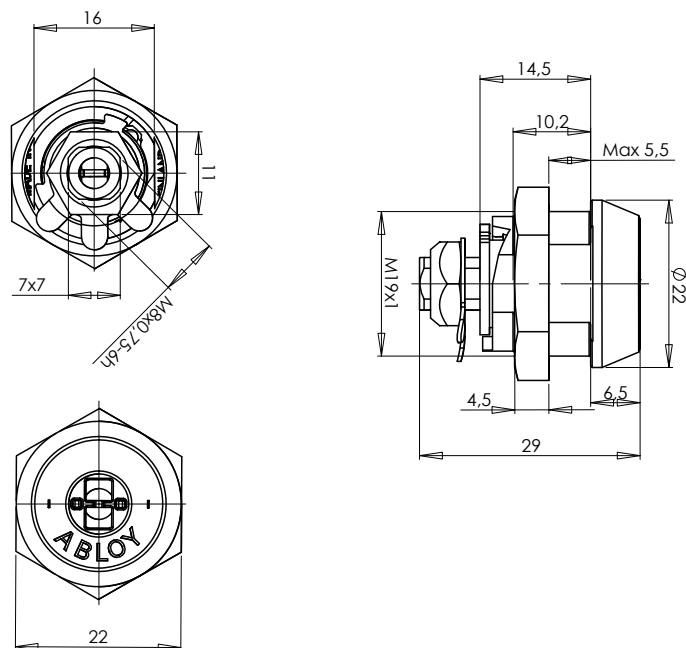
Overall Length: 29mm

Maximum Door Thickness: 5.5mm

Cam Distance: 14.5mm

Keying Platforms

ABLOY® CLASSIC (C)



Ordering Information

Product Description

Assembled CLASSIC KD

Part Number

CL109CKD/CP

ABLOY® CL200 Cam Locks

Cam turns: key removable 90°/180°
in locked position only
Number of discs: 9
Range: US

Material and Finishing

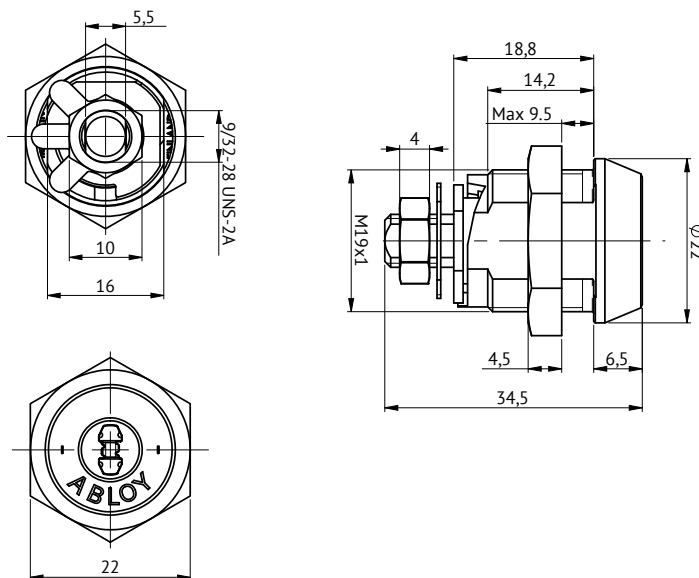
Cylinder Housing: Brass
Finish: Chrome Plate

Product Dimensions

Overall Length: 34.5mm
Maximum Door Thickness: 9.5mm
Cam Distance: 18.5mm

Keying Platforms

ABLOY® PROTEC (N)
ABLOY® CLASSIC (C)
ABLOY® SENTRY (B)



Ordering Information

Product Description	Part Number
Assembled to Code	CL200#/CP
Assembled CLASSIC KD	CL200CKD/CP
Unassembled	CL200#UA/CP

* Refer to page 146 for all ordering specification information.

ABLOY® CL201 Cam Locks

Cam turns: key removable 90°/180°
in locked position only
Number of discs: 9
Range: US

Material and Finishing

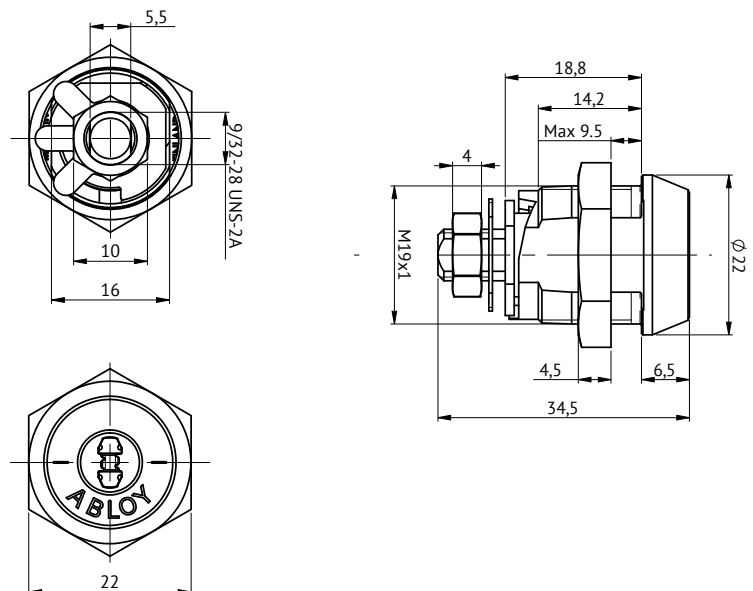
Cylinder Housing: Steel
Finish: Chrome Plate

Product Dimensions

Overall Length: 34.5mm
Maximum Door Thickness: 9.5mm
Cam Distance: 18.5mm

Keying Platforms

ABLOY® PROTEC (N)
ABLOY® CLASSIC (C)



Ordering Information

Product Description	Part Number
Assembled to Code	CL201#/CP
Assembled CLASSIC KD	CL201CKD/CP
Unassembled PROTEC	CL201NUA/CP

* Refer to page 146 for all ordering specification information.

ABLOY® CL202 Cam Locks

Cam turns: key removable 90°/180° in locked position only

Number of discs: 11

Range: US

Can be master keyed with door cylinders

Material and Finishing

Cylinder Housing: Brass

Finish: Chrome Plate

Product Dimensions

Overall Length: 44.5mm

Maximum Door Thickness: 19.5mm

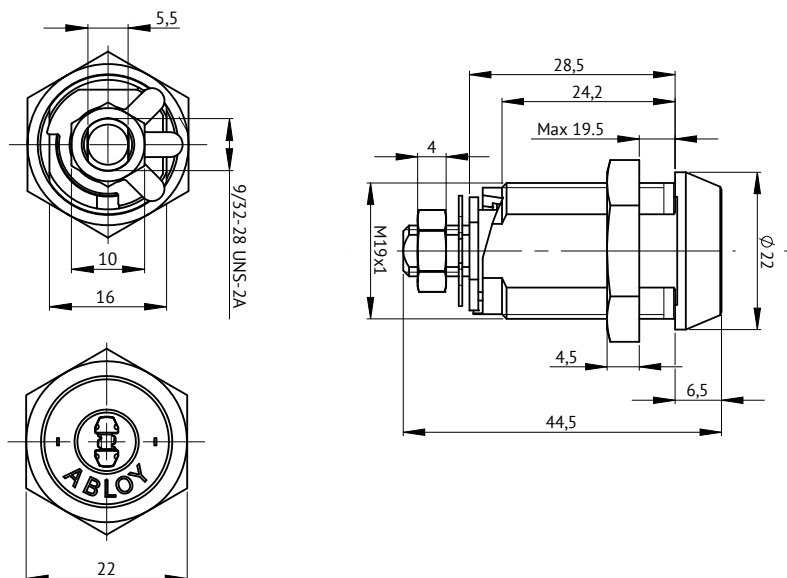
Cam Distance: 28.5mm

Keying Platforms

ABLOY® PROTEC (N)

ABLOY® CLASSIC (C)

ABLOY® SENTRY (B)



Ordering Information

Product Description	Part Number
Assembled to Code	CL202#/CP
Assembled CLASSIC KD	CL202CKD/CP
Unassembled	CL202#UA/CP

* Refer to page 146 for all ordering specification information.

ABLOY® CL203 Cam Locks

Cam turns: key removable 90°/180°
in locked position only
Number of discs: 11
Range: US
Can be master keyed with door cylinders

Material and Finishing

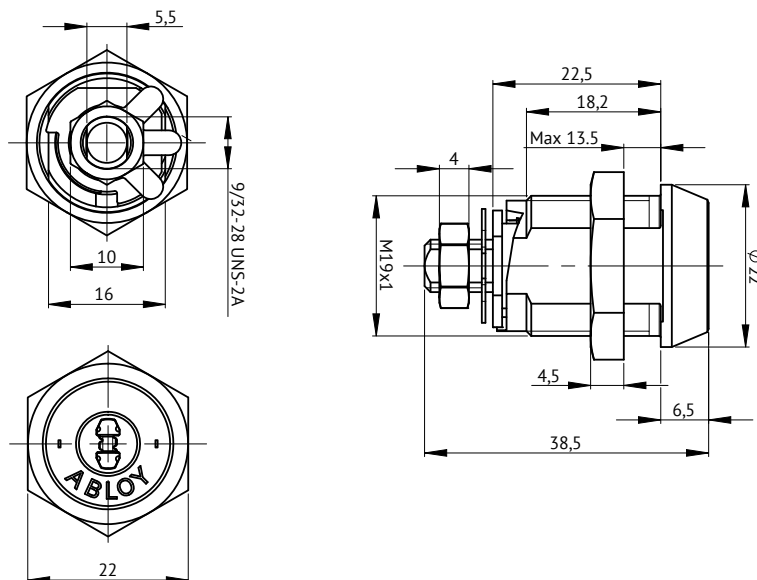
Cylinder Housing: Brass
Finish: Chrome Plate

Product Dimensions

Overall Length: 38.5mm
Maximum Door Thickness: 13.5mm
Cam Distance: 22.5mm

Keying Platforms

ABLOY® PROTEC (N)
ABLOY® CLASSIC (C)



Ordering Information

Product Description	Part Number
Assembled to Code	CL203#/CP
Assembled CLASSIC KD	CL203CKD/CP
Unassembled PROTEC	CL203NUA/CP

* Refer to page 146 for all ordering specification information.

ABLOY® CL204 Cam Locks

Cam turns: key removable 90°/180°
in locked position only
Number of discs: 9
Range: US

Material and Finishing

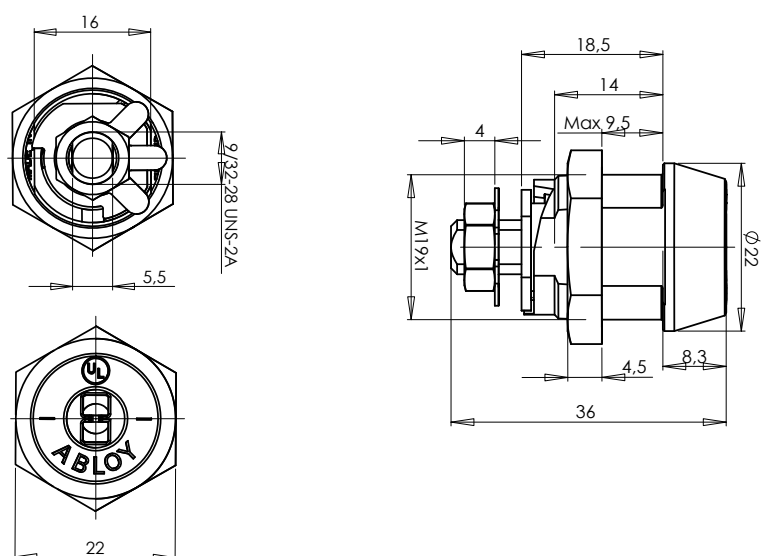
Cylinder Housing: Steel
Finish: Chrome Plate

Product Dimensions

Overall Length: 36.3mm
Maximum Door Thickness: 9.5mm
Cam Distance: 18.5mm

Keying Platforms

ABLOY® PROTEC (N)



Ordering Information

Product Description

Assembled PROTEC to Code

Unassembled PROTEC

Part Number

CL204N/CP

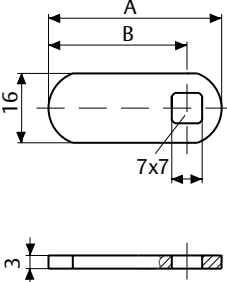
CL204NUA/CP

ABLOY® Universal Cams

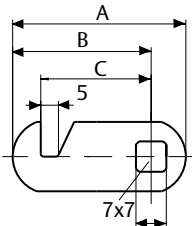
For cam locks in the universal range, three different cam models available: straight, hooked and offset.

Cams are made of nickel-plated steel.

Straight Cam

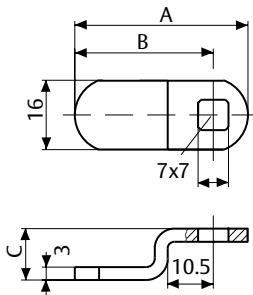
	Part No.	A	B
		SP455608	26
	SP434815	30.5	22.5
	SP434869	33	25
	SP455322	35	27
	SP434609	38	30
	SP434794	40	32
	SP455556	45	37
	SP455548	48	40
	SP455494	53	45
	SP455797	58	50
	SP455606	68	60

Hooked Cam

	Part No.	A	B	C
		SP434605	32	24
	SP455332	35	27	20.5
	SP455492	42.5	34.5	28
	SP434818	47.5	39.5	33
	SP455549	60.5	52.5	46

ABLOY® Universal Cams

Offset Cam



Part No.	A	B	C
SP455678	32	24	13.3
SP455333	35	27	5
SP434928	35	27	6.5
SP455499	35	27	9.5
SP455525	35	27	10.5
SP434816	36	28	12
SP455557	37	29	18.5
SP434766	38	30	15
SP434667	38	30	7
SP435097	40	32	5
SP434702	40	32	19
SP434635	45	37	5
SP434700	45	37	8
SP434852	45	37	13.3
SP434757	48	40	19
SP434788	50	42	12.5
SP455461	61	53	18

ABLOY® Cam Locks Accessories

Fitting Plates

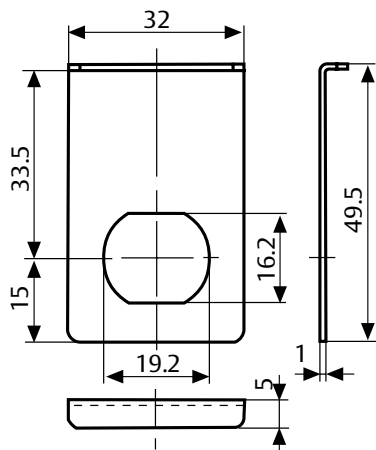
Fitting plates should be ordered separately.

SP413807

For use with plastic ring 484100 in glass doors.

Material: Steel

Finish: Chrome Plate

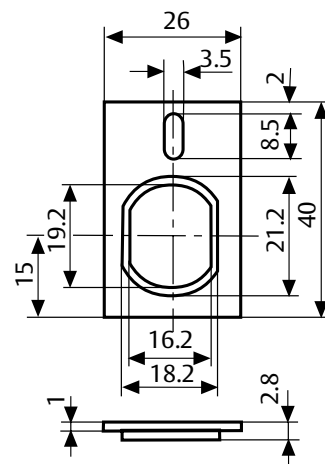


SP455328

Used inside of a wooden door to prevent the lock from rotating. Fixed by a screw through the upper hole of the plate.

Material: Steel

Finish: Zinc Plate

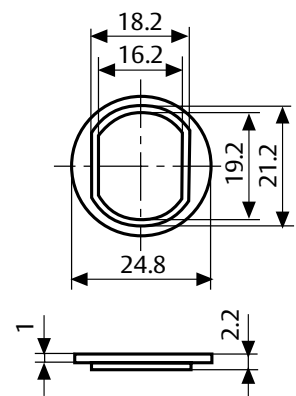


SP434613

Used mostly as replacement for cam locks of universal specifications. Normally used on both sides of the mounting hole.

Material: Steel

Finish: Zinc Plate

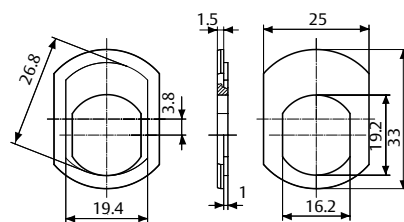


SP441345

Fitting plate

Material: Steel

Finish: Chrome Plate

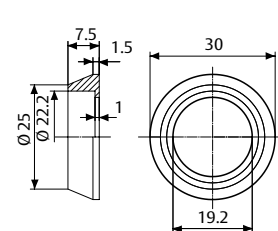


SP804757

Protective collar

Material: Steel

Finish: Chrome Plate

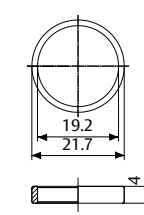


SP804252

Lifting sleeve

Material: Steel

Finish: Chrome Plate



ABLOY® EP400, EP401, EP402

Key Operated Switch Locks

ABLOY® switch locks provide key-actuated switching for burglar alarms, control boxes and other high security applications.

Locks can be fitted on panels from 0.5 mm to 22 mm thick

EP400

Key removable in 'on' and 'off' positions

EP401

Key removable in 'off' positions

EP402

Momentary-contact key removable in 'off' position

Number of Discs: 11

Material Finish

Cylinder housing: Chrome-Plated Brass
First disc: Case-Hardened Nickel-Plated Steel
Hex nut: Zinc-Plated Steel
Coupling piece and switch mounting plug: Molded Plastic

Other parts: Brass, Stainless Steel, Tin Bronze

Microswitch

Honeywell 1SX1-H58 for contacting with AMP 0.058 inch (1.47 mm) reseatables

Electrical Specifications

7A, 250 VAC
 7A res., 28 VDC
 4A ind., 28 VDC

Operational range

-54° to +120 °C

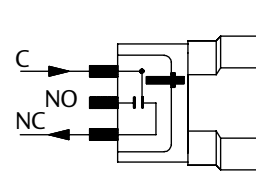
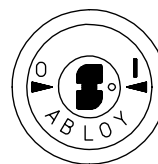
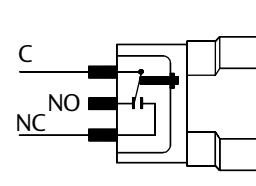
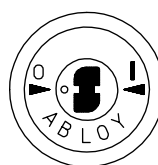
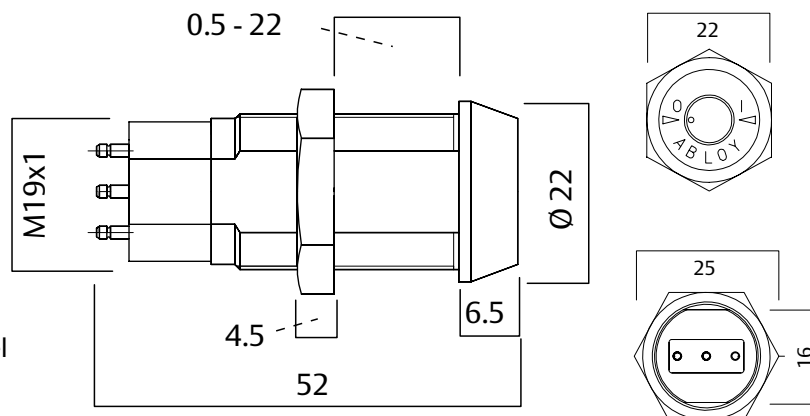
Keying Platforms

ABLOY® PROTEC² CLIQ(T)
 ABLOY® PROTEC² (T)
 ABLOY® PROTEC CLIQ(N)
 ABLOY® PROTEC (N)
 ABLOY® SENTRY (B)
 ABLOY® CLIQ Express (CE)

Diagram Circuit

C = Common
 NO = Normally Open
 NC = Normally Closed

Note: EP400, EP401 and EP402 are available in CLIQ with the product codes EPL410, EPL411 and EPL412.



Ordering Information

Product Description	Part Number
Assembled to Code	EP400#/CP
Assembled to Code	EP401#/CP
Assembled to Code	EP402#/CP
Unassembled	EP400#/UA/CP
Unassembled	EP401#/UA/CP
Unassembled	EP402#/UA/CP

* Refer to page 146 for all ordering specification information.

ABLOY® CL290, CL291 T-Handle Locks

ABLOY® T-Handle locks are ideal for vending machines and other locking handle applications. The steel bolt provides maximum resistance against attack by pulling.

Number of discs: 9

Length: 44.3 mm

CL290

Spring-loaded latch
Can be locked without the key

Material Finish

Cylinder housing: Chrome-Plated Steel

Cylinder face: Case -Hardened Chrome Plated Steel

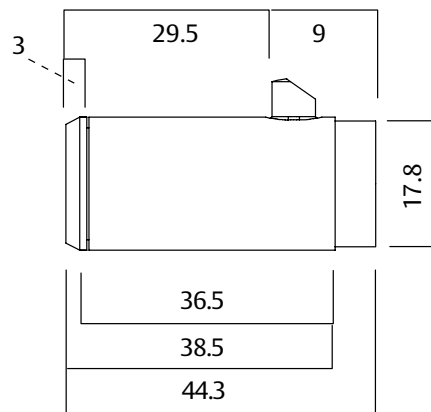
Latch: Nickel-Plated Steel

Keying Platforms

ABLOY® PROTEC (N)

ABLOY® CLASSIC (C)

ABLOY® SENTRY (B)



CL291

Deadlocking latch

Material Finish

Cylinder housing: Chrome-Plated Steel

Cylinder face: Case -Hardened Chrome Plated Steel

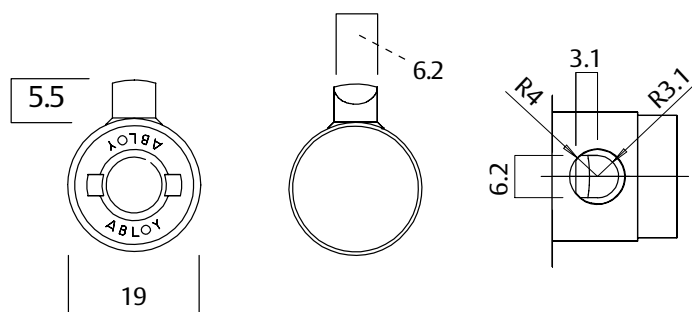
Latch: Nickel-Plated Steel

Keying Platforms

ABLOY® PROTEC (N)

ABLOY® CLASSIC (C)

ABLOY® SENTRY (B)



Ordering Information

Product Description	Part Number
Assembled to Code	CL290#UA/CP
Assembled to Code	CL291#UA/CP
Assembled CLASSIC KD	CL290CKD/CP
Assembled CLASSIC KD	CL291CKD/CP
Unassembled	CL290#UA/CP
Unassembled	CL291#UA/CP

* Refer to page 146 for all ordering specification information.

ABLOY® SC210 Safe Deposit Lock

SC210 is a single cylinder lock operated with customer's key, and it can be connected to operate with an electric striker plate.

Key removable in locked position.
Single cylinder lock operated with customer's key.
Can be connected to operate with an electric striker plate.

Number of discs: 9

Applications

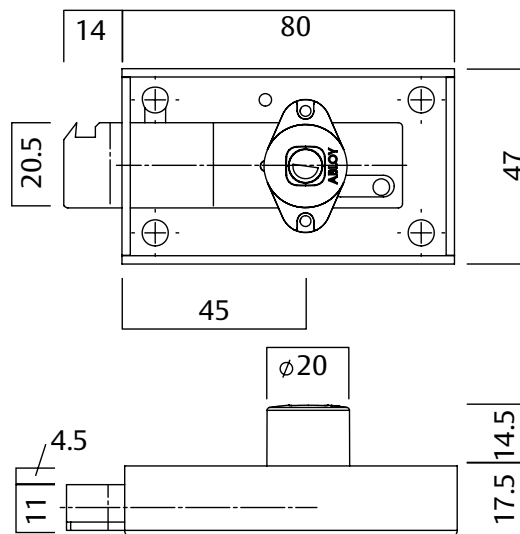
Safe deposits, safes and other equipment demanding special locking security.

Material Finish

Cylinder housing: Chrome-Plated Zinc
Lock case and bolt: Nickel-Plated Steel

Keying Platforms

ABLOY® PROTEC (N)
ABLOY® CLASSIC (C)
ABLOY® SENTRY (B)



Ordering Information

Product Description	Part Number
Assembled to Code	SC210#/CP
Assembled CLASSIC KD	SC210CKD/CP
Unassembled	SC210#UA/CP

* Refer to page 146 for all ordering specification information.

ABLOY® SC211 Safe Deposit Locks

The SC211 includes two mechanically operated cylinder, one of which is operated by the customer's key and the other by the banker's key. Both keys are required to open the lock, but the locking can be carried out with the customer's key only.

Key removable in locked position.
Two mechanically operated cylinders, customer and a bander's cylinders.
Both keys are required to open the lock.
Locking can be carried out with the customer's key only.



Number of discs: 9

Applications

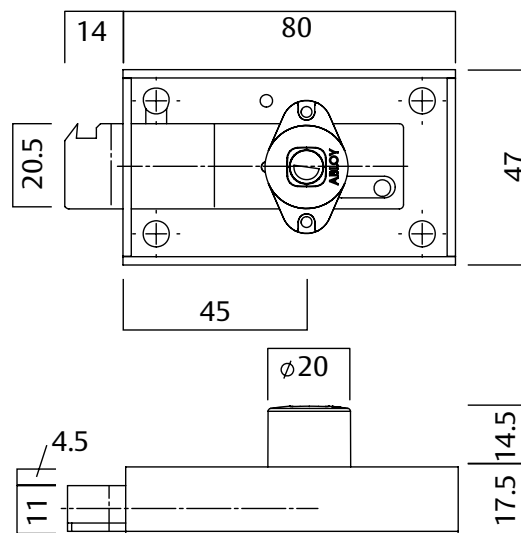
Safe deposits, safes and other equipment demanding special locking security.

Material Finish

Cylinder housing: Chrome-Plated Zinc
Lock case and bolt: Nickel-Plated Steel

Keying Platforms

- ABLOY® PROTEC (N)
- ABLOY® CLASSIC (C)
- ABLOY® SENTRY (B)



Ordering Information

Product Description	Part Number
Assembled to Code	SC211#/CP
Assembled CLASSIC KD	SC211CKD/CP
Unassembled	SC211#UA/CP

* Refer to page 146 for all ordering specification information.

ABLOY® KD201, KD202 Key Deposit Tube

ABLOY® key deposits are used for storing route keys to apartment complexes, office buildings and factories.

NOTE: Key deposit cylinder is to be ordered separately and is not supplied with the Key deposit tube.

Key removable in locked position
Single cylinder lock operated with customer's key. Can be connected to operate with an electric striker plate

Number of discs: 11

Applications

ABLOY® key deposits are commonly used for storing route keys to apartment complexes, office buildings and factories. Route keys can be of use to utility companies such as electricity, telephone, gas or cable TV companies as well as fire departments.

Route keys limit service people to access only those rooms where their equipment is installed. It also allows for the convenience of only having to carry one single key which can operate thousands of key deposits.

The ABLOY® key deposit cylinders allow each company to have their own unique key combination. The cylinder can be ordered keyed different, keyed alike or master keyed.

Material

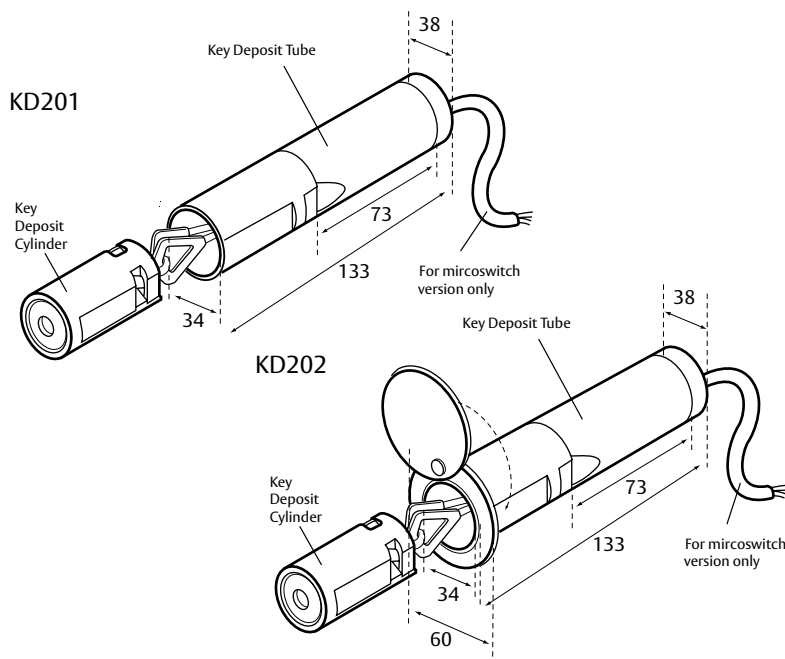
Key deposit housing: Steel
Cylinder housing: Hardened steel
Cylinder plug: Brass
Discs and washers: Tin bronze

Finish

Key deposit housing: Zinc Plated
Cylinder housing: Satin Chrome

Keying Platforms

ABLOY® PROTEC (N)
ABLOY® SENTRY (B)



Ordering Information

Product Description	Part Number
Key deposit housing SC211CKD/CP	KD201
Key deposit housing with microswitch	KD201X
Key deposit housing with collar and dust plate	KD202
Key deposit housing with collar, dust plate and microswitch	KD202X
Assembled to code PROTEC	CY500N/SC
Assembled to code SENTRY	5153B/SC
Unassembled	CY500NUA/SC
Unassembled SENTRY	5153BUA/SC

* Refer to page 146 for all ordering specification information.

Vega Office Locks

CABINET LOCKS

OF220	FLAT BOLT CABINET LOCK	107
OF221	SPRING LATCH CABINET LOCK	108
OF222	GLASS DOOR CABINET LOCK	109
OF230	FLAT BOLT CABINET LOCK	110
OF231	SPRING LATCH CABINET LOCK	111
OF232	GLASS DOOR CABINET LOCK	112
OF233	FLAT CENTRAL LOCKING BAR CABINET LOCK	113
OF234	ANGLED LOCKING BAR CABINET LOCK	114
OF235	DOUBLE HOOK BOLT CABINET LOCK	115

PUSH BUTTON LOCKS

OF420	PUSH LOCK	116
OF421	GLASS DOOR PUSH LOCK	117
OF422	SHOW CASE PUSH LOCK	118
OF423	PUSH LOCK	119
OF424	PUSH LOCK	120
OF430	PUSH LOCK	121
OF431	GLASS DOOR PUSH LOCK	122
OF432	SHOW CASE PUSH LOCK	123
OF433	PUSH LOCK	124

VEGA (OF) RANGE ACCESSORIES 125

WEDGE LOCK

AWL	WEDGELOCK	126
-----	-----------	-----

ROLLER DOOR LOCK

ARD	ROLLER DOOR LOCK	127
-----	------------------	-----

Cabinet Lock

Lock	Number of Discs	Maximum Installation Thickness	Type of Bolt	Bolt Material	Body Material	Finish	Door Type	Key Removal Positions	Keying Platform
OF220	7	19mm	Flat	Nickel Plated Steel	Zinc	Chrome Plate	Swing Door, Drawer	Adjustable, Locked or Locked & Unlocked	C
OF230	11	25mm							C,B,N,T
OFL240									Locked Only
OF221	7	19mm	Spring Latch	Brass	Zinc	Chrome Plate	Swing Door, Drawer	Locked Only	C
OF231	11	25mm							C,B,N,T
OFL241									N,T CLIQ
OF222	7	8mm	Flat	Nickel Plated Steel	Zinc	Chrome Plate	Swing Door	Adjustable, Locked or Locked & Unlocked	C
OF232	11	8mm							C,N
OF233	11	25mm	Flat	Nickel Plated Steel	Zinc	Chrome Plate	Drawer	Adjustable, Locked or Locked & Unlocked	C,N
OF234	11	25mm	Flat	Nickel Plated Steel	Zinc	Chrome Plate	Drawer	Adjustable, Locked or Locked & Unlocked	C,B,N
OFL244									Locked Only
OF235	11	25mm	Double Hook	Nickel Plated Steel	Zinc	Chrome Plate	Sliding Door, Swing Door, Drawer	Adjustable, Locked or Locked & Unlocked	C,B,N
OFL245									Locked Only
OF420	7	26mm	Pin	Stainless Steel	Zinc	Chrome Plate	Sliding Door	Locked & Unlocked	C
OF430	11	32mm							C,B,N,T
OFL430									Locked Only
OF421	7	2-9mm	Pin	Stainless Steel	Zinc	Chrome Plate	Sliding Door	Locked & Unlocked	C
OF431	11	2-9mm							C,B,N,T
OF423	11	28mm	Pin	Stainless Steel	Zinc	Satin Chrome	Sliding Door	Locked & Unlocked	C,B
OF424	7	25mm	Pin	Stainless Steel	Zinc	Chrome Plate	Sliding Door	Locked & Unlocked	C
OF433	11	32mm	Pin	Stainless Steel	Zinc	Chrome Plate	Sliding Door	Locked & Unlocked	N,T

Modern design. Simplicity in assembling. High level security. Improved usability. All good reasons to choose ABLOY® cabinet locks..

ABLOY® cabinet locks are suitable for a wide range of application including office furniture, lockers, cabinets, storage chests, wardrobes, sliding doors, display cases and other fittings.

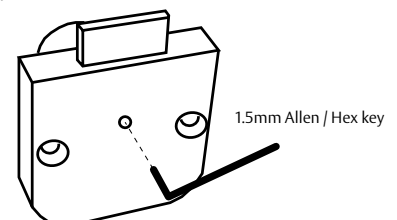
All ABLOY® cabinet locks have a uniform, exquisite design to meet the high quality design requirements for your office.

Adjustments

Some ABLOY® cabinet locks are delivered with a default action where the key is removable only in the locked position.

By adjusting the hexagonal bolt in the rear the lock can be converted so that the key can be removed in both locked and unlocked positions.

1.5mm Allen / Hex key required.



ABLOY® OF220 Flat Bolt Cabinet Lock

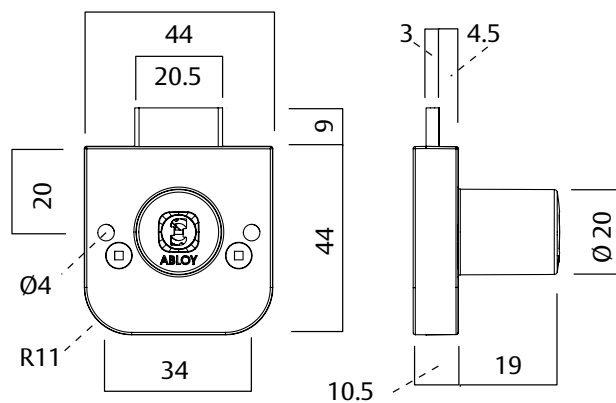
Maximum door thickness: 19mm
Bolt projection: 9mm
Cylinder diameter: 20mm
Number of discs: 7
Type of bolt: Flat
Key removal position: Adjustable,
Locked or Locked & Unlocked

Material and Finishing

Cylinder housing material: Zinc
Cylinder housing finish: Chrome
Bolt material: Steel
Bolt finish: Nickel plated

Keying Platforms

ABLOY® CLASSIC (C)



Ordering Information

Product Description

Assembled CLASSIC KD

Part Number

OF220CKD/CP

ABLOY® OF221 Spring Latch Cabinet Lock

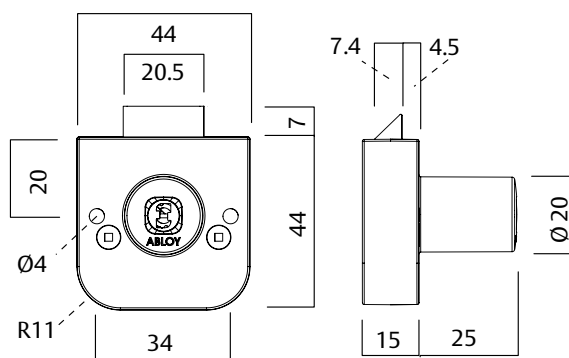
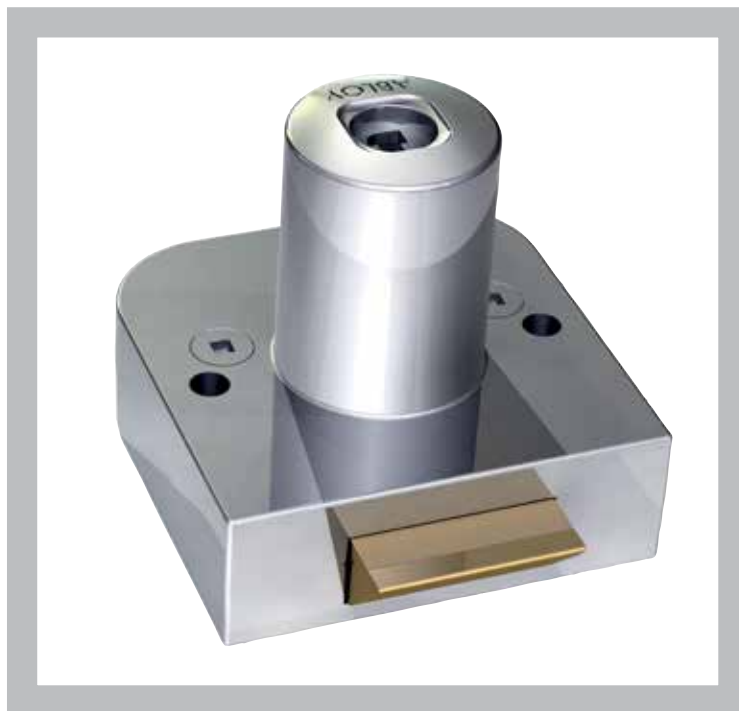
Maximum door thickness: 19mm
Bolt projection: 7mm
Cylinder diameter: 20mm
Number of discs: 7
Type of bolt: Spring Latch
Key removal position: Locked only

Material and Finishing

Cylinder housing material: Zinc
Cylinder housing finish: Chrome
Bolt material: Brass
Bolt finish: Brass

Keying Platforms

ABLOY® CLASSIC (C)



Ordering Information

Product Description	Part Number
Assembled CLASSIC KD	OF221CKD/CP

ABLOY® OF222 Glass Door Cabinet Lock

Maximum door thickness: 8mm

Bolt projection: 9mm

Cylinder diameter: 20mm

Number of discs: 7

Type of bolt: Flat

Cannot be master keyed with door lock cylinders

Key removal position: Adjustable, Locked or Locked & Unlocked

Material and Finishing

Cylinder housing material: Zinc

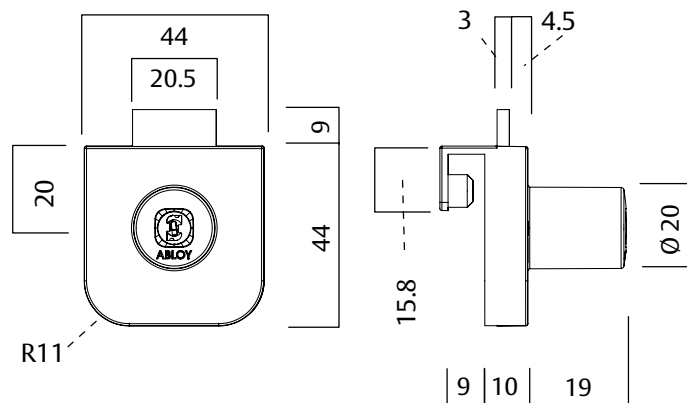
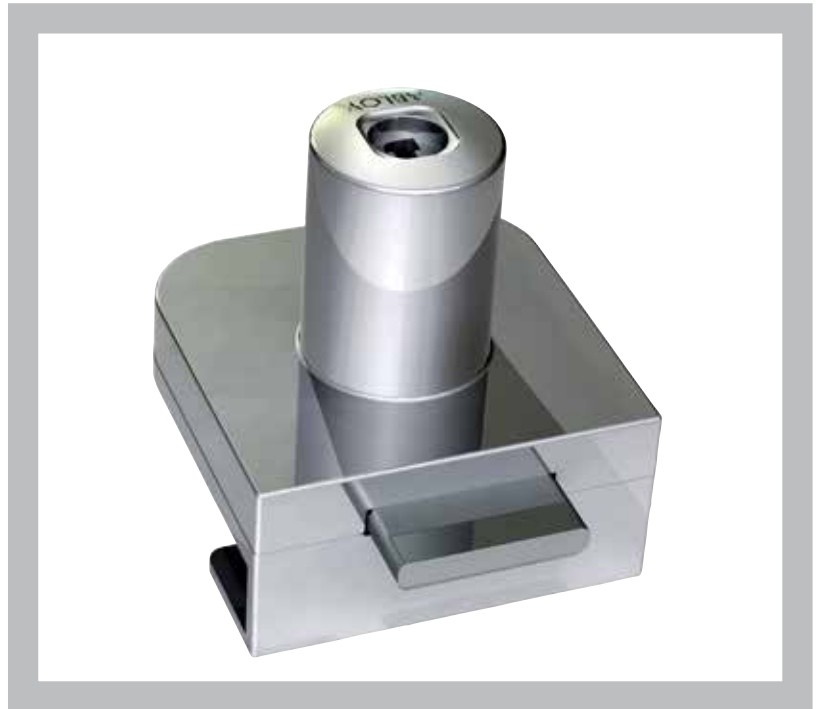
Cylinder housing finish: Chrome

Bolt material: Steel

Bolt finish: Nickel plated

Keying Platforms

ABLOY® CLASSIC (C)



Ordering Information

Product Description

Assembled CLASSIC KD

Part Number

OF222CKD/CP

ABLOY® OF230 Flat Bolt Cabinet Lock

Maximum door thickness: 25mm
Bolt projection: 9mm
Cylinder diameter: 20mm
Number of discs: 11 (9 for CLIQ)
Type of bolt: Flat
Key removal position: Adjustable, Locked or Locked & Unlocked (CLIQ is locked only)

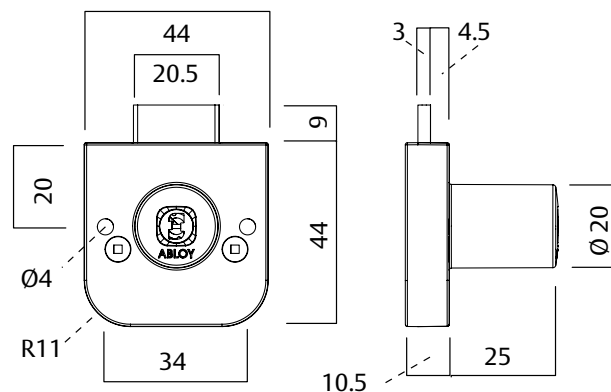
NOTE: CLIQ version is approx. 7 mm longer than the mechanical version. The CLIQ version is called OFL240.

Material and Finishing

Cylinder housing material: Zinc
Cylinder housing finish: Chrome
Bolt material: Steel
Bolt finish: Nickel plated

Keying Platforms

ABLOY® PROTEC² CLIQ(T)
ABLOY® PROTEC² (T)
ABLOY® PROTEC CLIQ(N)
ABLOY® PROTEC (N)
ABLOY® CLASSIC (C)
ABLOY® SENTRY (B)
ABLOY® CLIQ Express (CE)



Ordering Information

Product Description	Part Number
Assembled to code	OF230#/CP
Assembled CLASSIC KD	OF230CKD/CP
Unassembled	OF230#UA/CP

* Refer to page 146 for all ordering specification information.

ABLOY® OF231 Spring Latch Cabinet Lock

Maximum door thickness: 25mm
Bolt projection: 7mm
Cylinder diameter: 20mm
Number of discs: 11 (9 for CLIQ)
Type of bolt: Spring Latch
Key removal position: Locked only

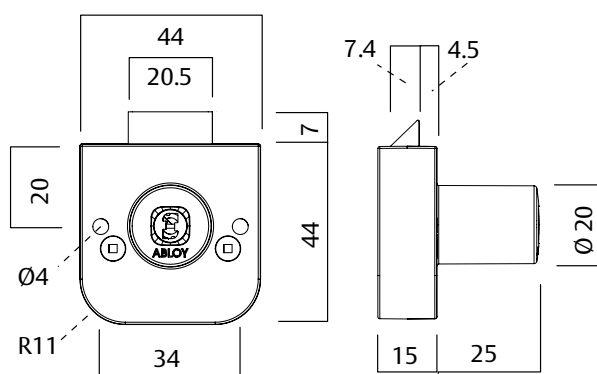
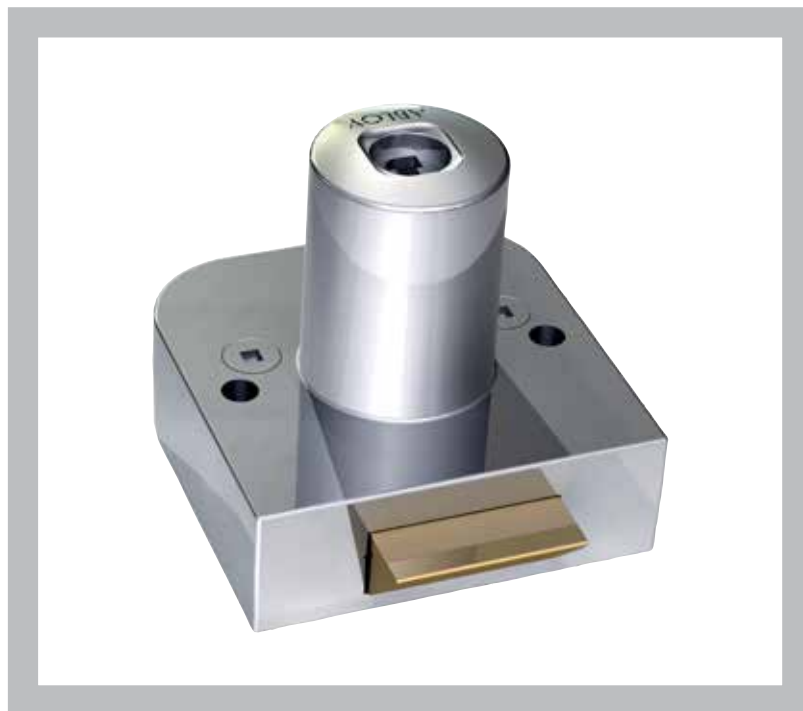
NOTE: CLIQ version is approx. 7 mm longer than the mechanical version. The CLIQ version is called OFL241.

Material and Finishing

Cylinder housing material: Zinc
Cylinder housing finish: Chrome
Bolt material: Brass
Bolt finish: Brass

Keying Platforms

ABLOY® PROTEC² CLIQ (T)
ABLOY® PROTEC² (T)
ABLOY® PROTEC CLIQ (N)
ABLOY® PROTEC (N)
ABLOY® CLASSIC (C)
ABLOY® SENTRY (B)
ABLOY® CLIQ Express (CE)



Ordering Information

Product Description	Part Number
Assembled to code	OF231#/CP
Assembled CLASSIC KD	OF231CKD/CP
Unassembled	OF231#UA/CP

* Refer to page 146 for all ordering specification information.

ABLOY® OF232 Glass Door Cabinet Lock

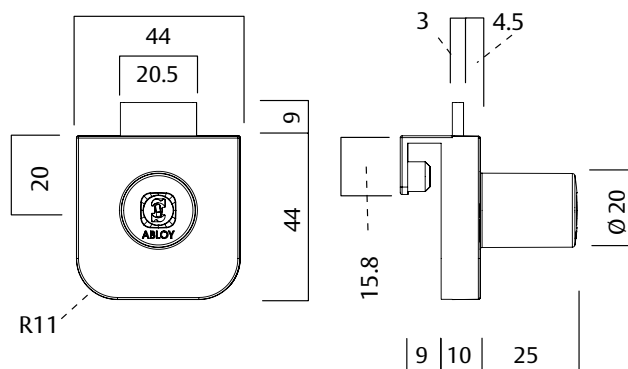
Maximum door thickness: 8mm
Bolt projection: 9mm
Cylinder diameter: 20mm
Number of discs: 11
Type of bolt: Flat
Key removal position: Adjustable,
 Locked or Locked & Unlocked

Material and Finishing

Cylinder housing material: Zinc
Cylinder housing finish: Chrome
Bolt material: Steel
Bolt finish: Nickel plated

Keying Platforms

ABLOY® PROTEC (N)
 ABLOY® CLASSIC (C)



Ordering Information

Product Description	Part Number
Assembled to code	OF232#/CP
Assembled CLASSIC KD	OF232CKD/CP
Unassembled PROTEC	OF232NUA/CP

* Refer to page 146 for all ordering specification information.

ABLOY® OF233 Flat Central Locking Bar Cabinet Lock

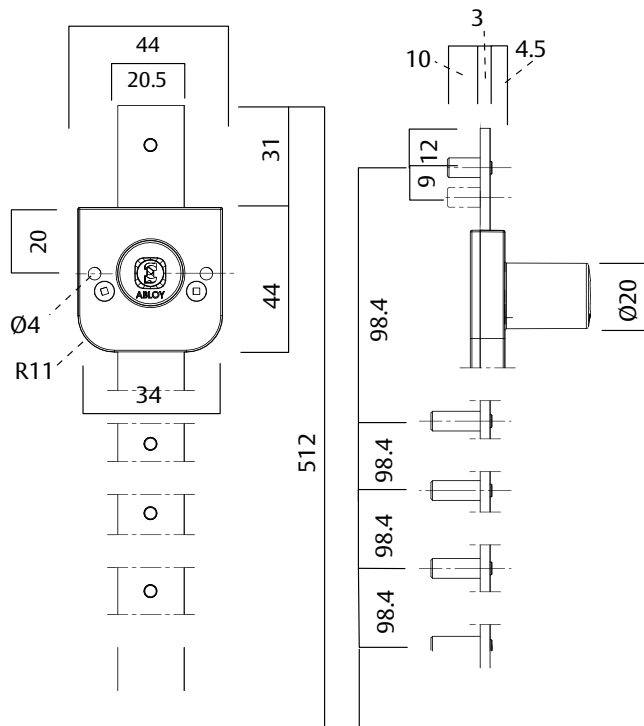
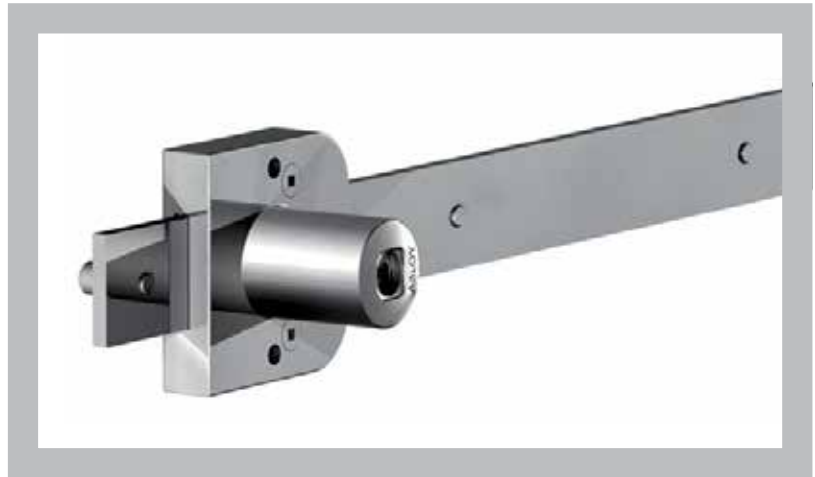
Maximum door thickness: 25mm
Bolt projection: 31mm
Cylinder diameter: 20mm
Number of discs: 11
Type of bolt: Flat
Key removal position: Adjustable,
 Locked or Locked & Unlocked

Material and Finishing

Cylinder housing material: Zinc
Cylinder housing finish: Chrome
Bolt material: Steel
Bolt finish: Nickel plated

Keying Platforms

ABLOY® PROTEC (N)
 ABLOY® CLASSIC (C)



Ordering Information

Product Description	Part Number
Assembled to code	OF233#/CP
Assembled CLASSIC KD	OF23CKD/CP
Unassembled PROTEC	OF233NUA/CP

* Refer to page 146 for all ordering specification information.

ABLOY® OF234 Angled Locking Bar Cabinet Lock

Maximum door thickness: 25mm
Bolt projection: 9mm
Cylinder diameter: 20mm
Number of discs: 11 (9 for CLIQ)
Type of bolt: Flat
Key removal position: Adjustable, Locked or Locked & Unlocked (CLIQ is locked only)

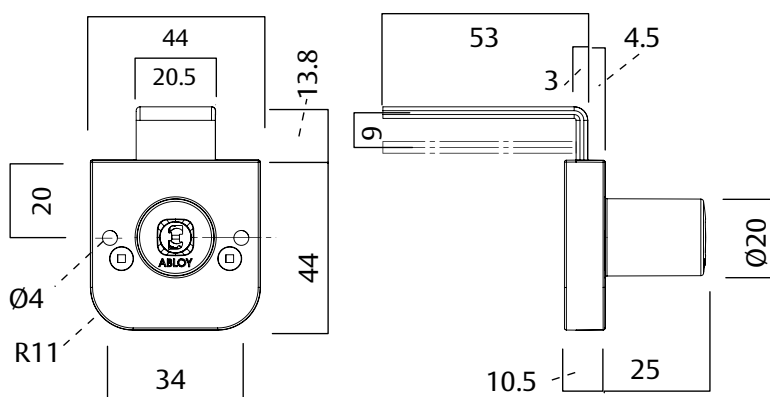
NOTE: CLIQ version is approx. 7 mm longer than the mechanical version. The CLIQ version is called OFL244.

Material and Finishing

Cylinder housing material: Zinc
Cylinder housing finish: Chrome
Bolt material: Steel
Bolt finish: Nickel plated

Keying Platforms

ABLOY® PROTEC² CLIQ (T)
 ABLOY® PROTEC CLIQ (N)
 ABLOY® PROTEC (N)
 ABLOY® CLASSIC (C)
 ABLOY® CLIQ Express (CE)



Ordering Information

Product Description	Part Number
Assembled to code	234#/CP
Assembled CLASSIC KD	234CKD/CP
Unassembled PROTEC	234NUA/CP

* Refer to page 146 for all ordering specification information.

ABLOY® OF235 Double Hook Bolt Cabinet Lock

Key Maximum door thickness: 25mm

Bolt projection: 10mm

Cylinder diameter: 20mm

Number of discs: 11 (9 for CLIQ)

Type of bolt: Double hook

Key removal position: Adjustable, Locked or Locked & Unlocked (CLIQ is locked only)

NOTE: CLIQ version is approx. 7 mm longer than the mechanical version. The CLIQ version is called OFL245.

Material and Finishing

Cylinder housing material: Zinc

Cylinder housing finish: Chrome

Bolt material: Steel

Bolt finish: Nickel plated

Keying Platforms

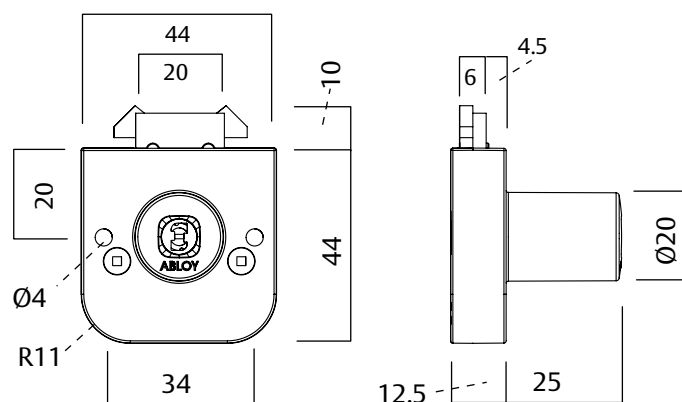
ABLOY® PROTEC² CLIQ (T)

ABLOY® PROTEC CLIQ (N)

ABLOY® PROTEC (N)

ABLOY® CLASSIC (C)

ABLOY® CLIQ Express (CE)



Ordering Information

Product Description	Part Number
Assembled to code	OF235#/CP
Assembled CLASSIC KD	OF235CKD/CP
Unassembled PROTEC	OF235NUA/CP

* Refer to page 146 for all ordering specification information.

ABLOY® OF420 Push Locks

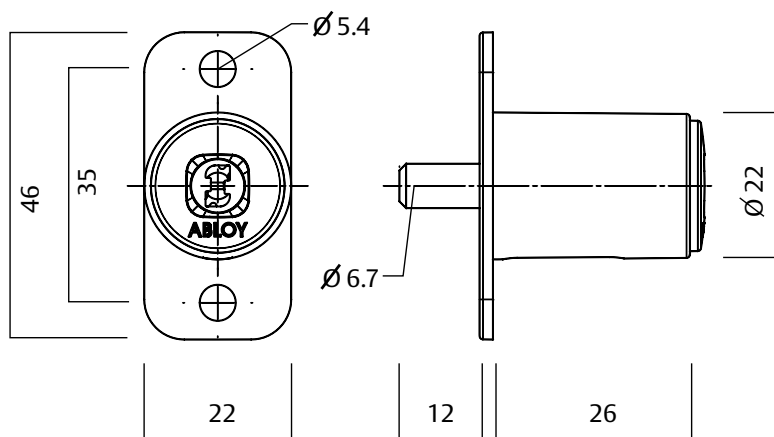
Maximum door thickness: 26mm
Bolt projection: 12mm
Cylinder diameter: 22mm
Number of discs: 7
Key removal position: Locked & Unlocked
Operation: Can be pushed to lock without key

Material and Finishing

Cylinder housing material: Zinc
Cylinder housing finish: Chrome
Cylinder material: Zinc
Cylinder finish: Chrome
Bolt: Stainless steel

Keying Platforms

ABLOY® CLASSIC (C)



Ordering Information

Product Description

Assembled CLASSIC KD

Part Number

OF420CKD/CP

ABLOY® OF421 Glass Door Push Lock

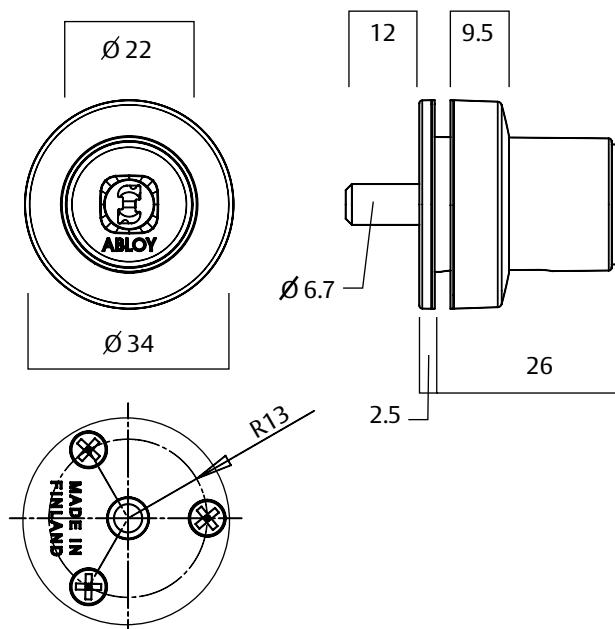
Maximum door thickness: 2 - 9mm
Bolt projection: 12mm
Cylinder diameter: 22mm
Number of discs: 7
Length of key housing: 26mm
Key removal position: Locked & Unlocked
Operation: Can be pushed to lock without key

Material and Finishing

Cylinder housing material: Zinc
Cylinder housing finish: Chrome
Cylinder material: Zinc
Cylinder finish: Chrome
Bolt: Stainless steel

Keying Platforms

ABLOY® CLASSIC (C)



Ordering Information

Product Description

Assembled CLASSIC KD

Part Number

OF421CKD/CP

ABLOY® OF422 Show Case Push Lock

Bolt projection: 14mm

Cylinder diameter: 22mm

Number of discs: 7

Cannot be master keyed with door lock cylinders

Key removal position: Locked & Unlocked

Operation: Can be pushed to lock without key

Material and Finishing

Cylinder housing material: Brass

Cylinder housing finish: Satin chrome

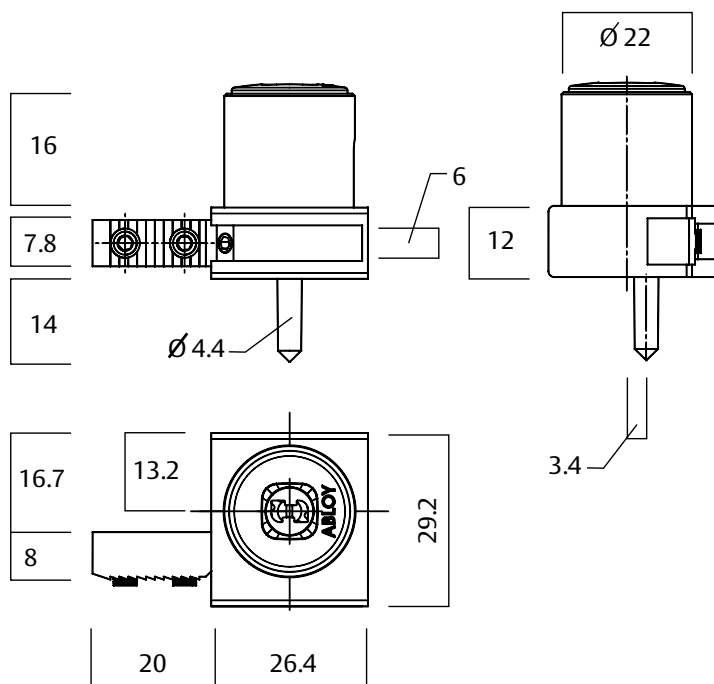
Cylinder material: Zinc

Cylinder finish: Satin chrome

Bolt: Zinc

Keying Platforms

ABLOY® CLASSIC (C)



Ordering Information

Product Description

Assembled CLASSIC KD

Part Number

OF422CKD/CP

ABLOY® OF423 Push Locks

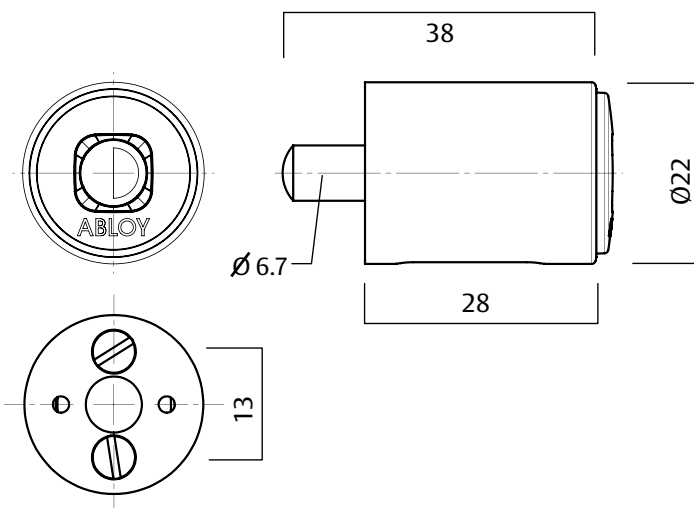
Maximum door thickness: 28mm
Bolt projection: 10mm
Cylinder diameter: 22mm
Number of discs: 7
Key removal position: Locked & Unlocked
Operation: Can be pushed to lock without key

Material and Finishing

Cylinder housing material: Brass
Cylinder housing finish: Chrome
Cylinder material: Zinc
Cylinder finish: Chrome
Bolt: Stainless steel

Keying Platforms

ABLOY® CLASSIC (C)



Ordering Information

Product Description

Assembled CLASSIC KD

Part Number

OF42CKD/CP

ABLOY® OF424 Push Locks

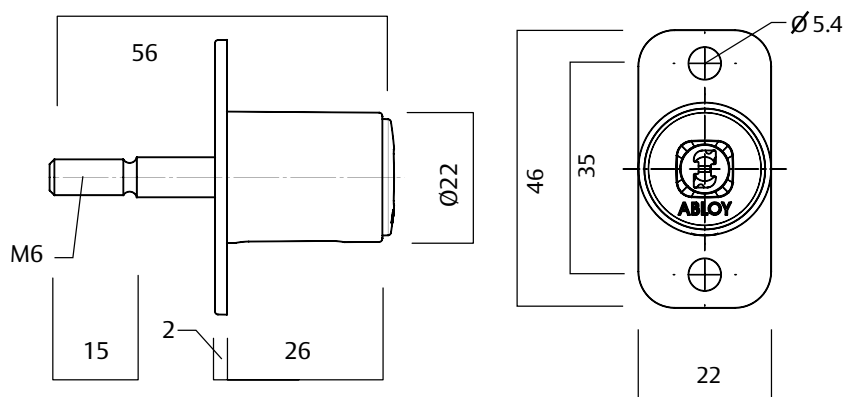
Maximum door thickness: 25mm
Cylinder diameter: 22mm
Number of discs: 7
Thread bolt: M6
Key removal position: Locked & Unlocked
Operation: Can be pushed to lock without key

Material and Finishing

Cylinder housing material: Brass
Cylinder housing finish: Chrome
Cylinder material: Zinc
Cylinder finish: Chrome
Bolt: Stainless steel

Keying Platforms

ABLOY® CLASSIC (C)



Ordering Information

Product Description	Part Number
Assembled CLASSIC KD	OF42CKD/CP

ABLOY® OF430 Push Lock

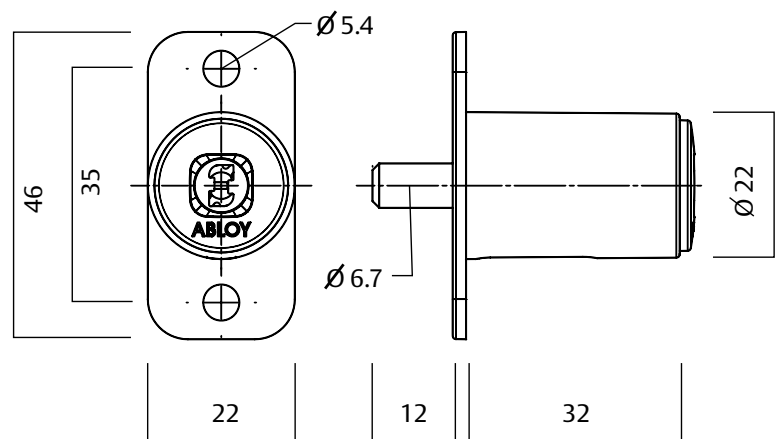
Key Maximum door thickness: 32mm
Bolt projection: 12mm
Cylinder diameter: 22mm
Number of discs: 11
Key removal position: Locked & Unlocked
Operation: Can be pushed to lock without key

Material and Finishing

Cylinder housing material: Zinc
Cylinder housing finish: Chrome
Cylinder material: Zinc
Cylinder finish: Chrome
Bolt: Stainless steel

Keying Platforms

ABLOY® PROTEC² (T)
ABLOY® PROTEC (N)
ABLOY® CLASSIC (C)
ABLOY® SENTRY (B)



Ordering Information

Product Description	Part Number
Assembled to code	OF430#/CP
Assembled CLASSIC KD	OF430CKD/CP
Unassembled	OF430#UA/CP

* Refer to page 146 for all ordering specification information.

ABLOY® OF431 Glass Door Push Lock

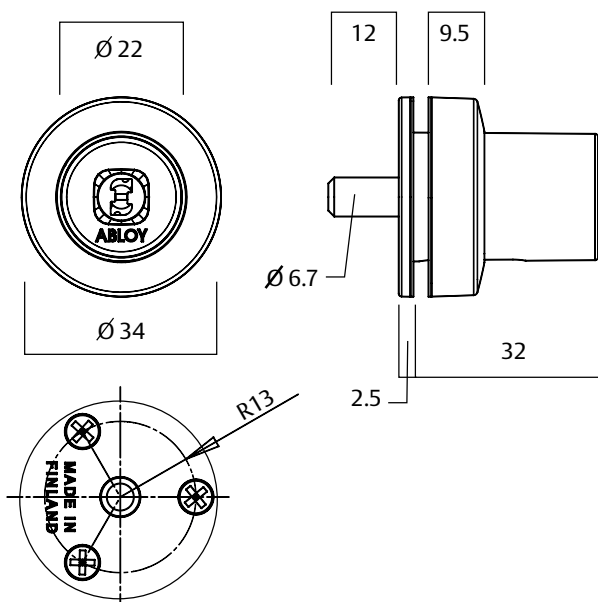
Maximum door thickness: 2 - 9mm
Bolt projection: 12mm
Cylinder diameter: 22mm
Number of discs: 11
Length of key housing: 32mm
Key removal position: Locked & Unlocked
Operation: Can be pushed to lock without key

Material and Finishing

Cylinder housing material: Zinc
Cylinder housing finish: Chrome
Cylinder material: Zinc
Cylinder finish: Chrome
Bolt: Stainless steel

Keying Platforms

ABLOY® PROTEC² (T)
ABLOY® PROTEC (N)
ABLOY® CLASSIC (C)



Ordering Information

Product Description	Part Number
Assembled to code	OF431#/CP
Assembled CLASSIC KD	OF431CKD/CP
Unassembled	OF431#UA/CP

* Refer to page 146 for all ordering specification information.

ABLOY® OF432 Show Case Push Lock

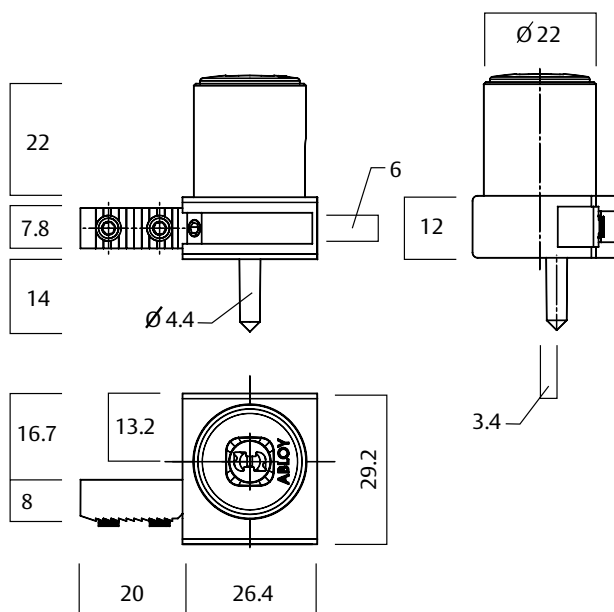
Bolt projection: 14mm
Cylinder diameter: 22mm
Number of discs: 11
Key removal position: Locked & Unlocked
Operation: Can be pushed to lock without key

Material and Finishing

Cylinder housing material: Brass
Cylinder housing finish: Satin chrome
Cylinder material: Zinc
Cylinder finish: Satin chrome
Bolt: Zinc

Keying Platforms

ABLOY® PROTEC (N)
 ABLOY® CLASSIC (C)



Ordering Information

Product Description	Part Number
Assembled to code	OF432#/CP
Assembled CLASSIC KD	OF432CKD/CP
Unassembled PROTEC	OF432NUA/CP

* Refer to page 146 for all ordering specification information.

ABLOY® OF433 Push Lock

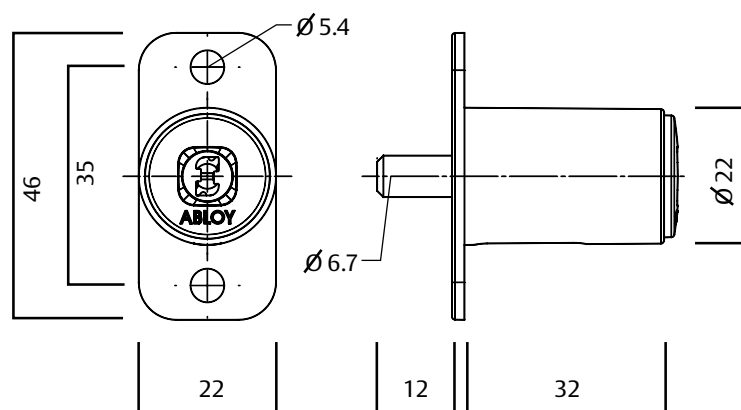
Maximum door thickness: 32mm
Bolt projection: 12mm
Cylinder diameter: 22mm
Number of discs: 11
Key removal position: Locked & Unlocked
Operation: Must be locked with key

Material and Finishing

Cylinder housing material: Zinc
Cylinder housing finish: Chrome
Cylinder material: Zinc
Cylinder finish: Chrome
Bolt: Stainless steel

Keying Platforms

ABLOY® PROTEC (N)



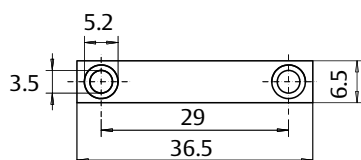
Ordering Information

Product Description	Part Number
Assembled PROTEC to code	OF433N/CP
Unassembled PROTEC	OF433NUA/CP

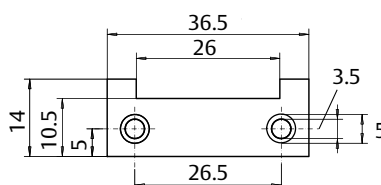
ABLOY® Furniture Lock Accessories

Striker Plates

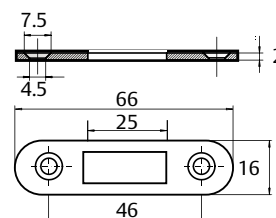
SP434980 Nickel plated steel



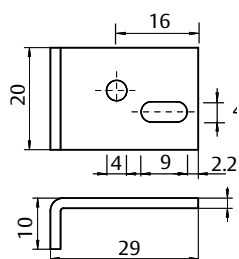
SP434981 Nickel plated steel



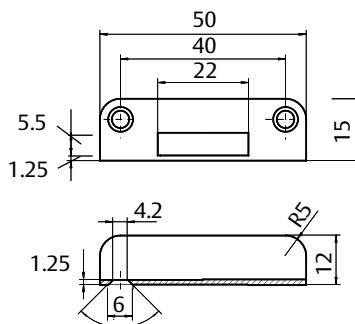
SP802330 Nickel plated steel



SP455365 Nickel plated steel



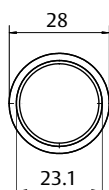
SP434987 Nickel plated steel



Escutcheon Ring

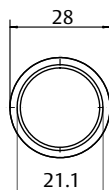
SP401746 Chromium plated brass

Used with 22mm diameter products, length 8mm



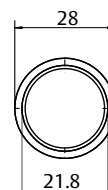
SP413529 Chromium plated brass

Used with 20mm diameter products, length 8mm



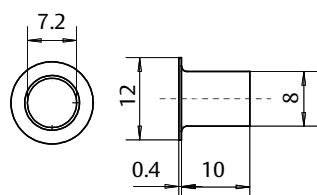
SP413571 Chromium plated brass

Used with 20mm diameter products, length 18mm



Keep

SP401930 Nickel plated steel



ABLOY® AWL Wedgelock

The ABLOY® Wedgelock has been designed specifically for use on high security cabinets and showcases, to secure merchandise with peace of mind. It features a smooth, streamlined design, and is easily installed on most cabinets or showcases as it securely fits to the bottom rail of the showcase.

Number of discs: 11

Material and Finishing

Cylinder housing material: Brass

Cylinder housing finish: Satin Chrome

Lock housing material: Zinc

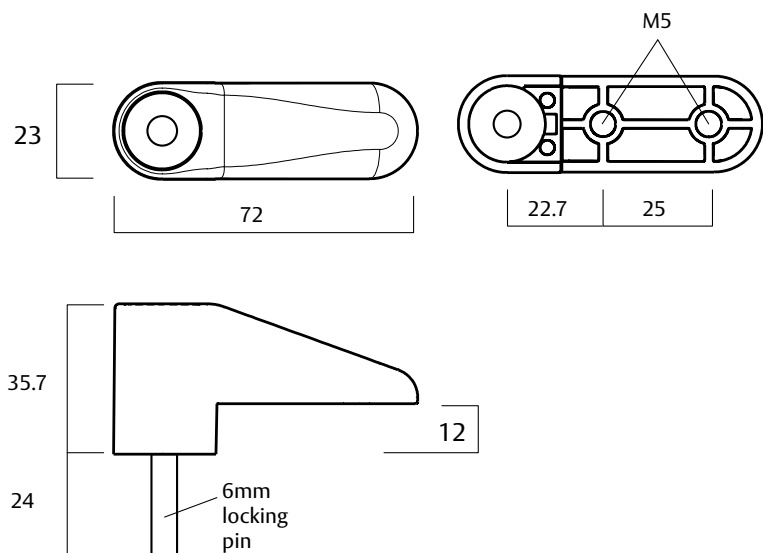
Lock housing finish: Satin chrome or Chrome plate

Keying Platforms

ABLOY® PROTEC² (T)

ABLOY® PROTEC (N)

ABLOY® SENTRY (B)



Ordering Information

Product Description	Part Number
Unassembled	AWL#UA/SC
Unassembled	AWL#UA/CP
Assembled to code	AWL#/SC
Assembled to code	AWL#/CP

* Refer to page 146 for all ordering specification information.

ABLOY® ARD Roller Door Lock

This lock comes complete with roller door lock and cylinder assembly to suit.

Used for roll-up doors and an ideal replacement older damaged locks where a higher degree of key security is required.

The cast cylinder escutcheon has a 14mm projection and is secured from behind by 2 screws (76mm pitch) which also secures the lock assembly to the door.

Number of discs: 11

Material and Finishing

Cylinder housing material: Brass

Cylinder housing finish: Satin chrome

Lock housing material: Zinc

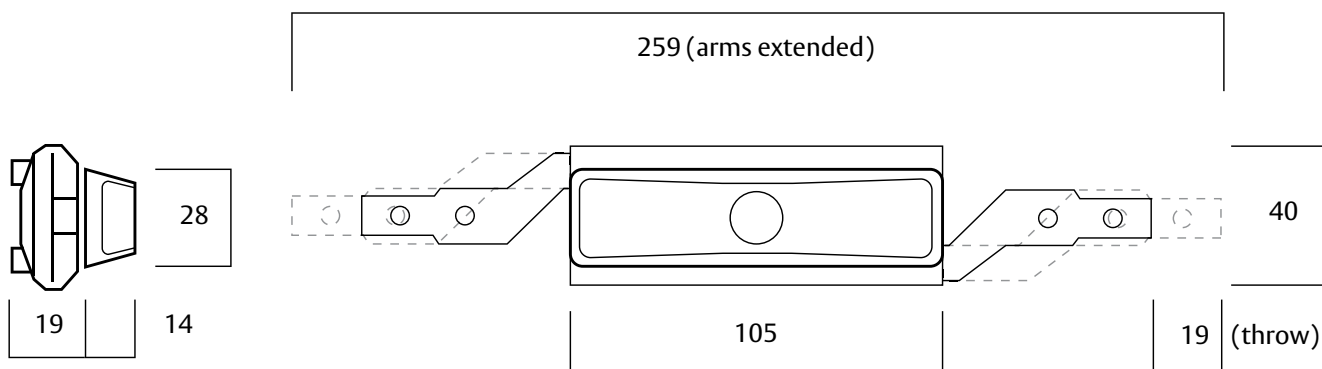
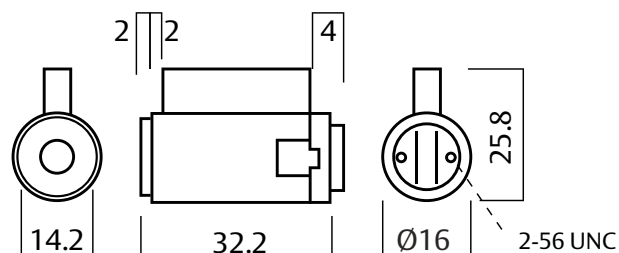


Keying Platforms

ABLOY® PROTEC² (T)

ABLOY® PROTEC (N)

ABLOY® DISKLOCK PRO (DLP)



Ordering Information

Product Description

Unassembled Cylinder assembly only

Unassembled Lockset (including cylinder)

Part Number

ARD#/SC

ARD#/UA/SC

* Refer to page 146 for all ordering specification information.

CLIQ Keys

TQ406	NORMAL USER KEYS	129
TQ407	DYNAMIC USER KEYS	129
TQ406B	CLIQ CONNECT NORMAL USER KEYS	131
TQ407B	CLIQ CONNECT DYNAMIC USER KEYS	131
TQ406C	CLIQ CONNECT ONLINE NORMAL USER KEYS	131
TQ407C	CLIQ CONNECT DYNAMIC ONLINE USER KEYS	131
TQ403	C-KEYS	133
TQ403B	CLIQ CONNECT C-KEYS	133
TQ403	MASTER C-KEY	133

ABLOY® Normal and Dynamic User Keys

ABLOY CLIQ Normal and Dynamic user keys are used by key holders to open cylinders and locks.

Both Normal and Dynamic user keys have a time/validity and calendar feature. A CLIQ key can be programmed to be; always valid, valid between two dates or invalid.

In CLIQ Web Manager systems it is also possible to setup a revalidation interval forcing the key holder to update their key on a regular basis or the key will become invalid.

It is also possible to setup a weekly operation schedule to the key. The calendar feature allows the administrator to specify multiple time periods when the key is granted access throughout the week. The key can for instance be programmed to open cylinders Mon - Fri 8am - 5pm.

Both Normal and Dynamic user keys records an audit trail when inserted in a cylinder. Note, audit trails are only stored in the cylinder in CLIQ Go systems.

The difference between Normal and Dynamic user keys is that Dynamic user keys have a programmable list of cylinders that the key can open while Normal keys do not have such a list. Normal keys can open all cylinders unless mechanically or electronically blocked by the cylinders.

Normal keys are not available in CLIQ Go systems.

See abloy.com.au for more information.



Ordering Information

Product Description	Part Number
ABLOY Protec CLIQ Normal user key	NQ406/[Profile]
ABLOY Protec CLIQ Dynamic user key	NQ407/[Profile]
ABLOY Protec2 CLIQ Normal user key	TQ406/[Profile]
ABLOY Protec2 CLIQ Dynamic user key	TQ407/[Profile]
ABLOY CLIQ Express user key	ABP2CEUK

ABLOY® Normal and Dynamic User Keys

Technical Information

CLIQ Key Material: The key has a metal shaft and a plastic bow. The CLIQ electronics is located under the plastic cover.

Active / Passive Key: Active

Symmetrical / Asymmetrical Key
Symmetrical

CLIQ Key Indications: The key electronics contains a small buzzer and a LED on both sides of the key that provide the key holder with an audible and visual access indication.

1 short beep and green light
The key is granted access

3 short beeps and red flashing light
The key is denied access

3 long beeps and flashing light
The battery may be low or cold (try warming the key in your hand)

No beep and no light
The battery is empty

CLIQ Key stampings

Key identification stampings are made on the key. One of identifications is a globally unique number.

CLIQ key battery

The battery powers the electronics in the key as well as in the cylinder. The battery is located under a plastic cover.

Battery specifications:

3V lithium (type CR2450N).

Lifetime is about ten years or 100,000 key operations. The battery must be replaced when the key starts to indicate low battery. It is possible to make around 50 key operations until the battery is empty once the low battery warning is given.

Speed of the electronic function

CLIQ cylinders can be operated 0.1 seconds after key insertion. A visual and audible indication is given to the key holder when the key can be turned.

Environmental restrictions for use

Use temperature: key -20°C ...+70°C

Use temperature: cylinder -30°C ...+70°C

Keying Platforms

ABLOY® PROTEC2 CLIQ (T)

ABLOY® PROTEC CLIQ (N)

ABLOY® CLIQ Express (CE)

Material and Finishing

Cylinder housing material: Brass

ABLOY® CLIQ Connect Normal and Dynamic User Keys

CLIQ Connect keys utilize Bluetooth Low Energy technology in the key, allowing the key to be remotely updated via the CLIQ Connect mobile application. Updating the key via the CLIQ Connect app is comparable to updating the key in a Wall Programming Device. So your mobile phone, the CLIQ Connect app and a CLIQ Connect key replaces your standard CLIQ key and a Wall Programming Device. Note, you need network coverage to update the key via the CLIQ Connect app.

It is possible to update the key via the CLIQ Connect app without the need for network coverage. A PIN code will be needed instead. This will provide an additional layer of security. Note, the CLIQ administrator in CLIQ Web Manager can still require the key holder to update the key via the CLIQ Connect app “in connected mode” (when the mobile phone has network coverage) on a regular basis as specified by the administrator. A “connected” update will send the audit trail data back to the software while a PIN update won’t do that. Note, this feature will not be available in CLIQ Go.

CLIQ Connect Online keys differ from the latter version in regards to the update procedure. A CLIQ Connect Online key will automatically be updated when the key is inserted into the cylinder, and the key will only open the cylinder once the update has finished. The opening sequence will approx. take 5-10 seconds. The access decision is done during the opening which provides real-time access management and audit trail. It should be noted that if the mobile phone is not available, turned off, the CLIQ Connect app is not running or the mobile phone has no internet connection then the CLIQ Connect Online key will not be able to open the cylinder. This makes the CLIQ Connect Online key a solution suitable for special users/customers that require the highest possible level of security and monitoring while accepting the fact that the opening of a cylinder will take a few seconds. CLIQ Connect Online keys will only be available in Factory built master keyed systems. CLIQ Connect Online keys will not be available in CLIQ Go.



CLIQ Connect keys and CLIQ Connect Online keys can be mixed in the same system if needed.

CLIQ Connect keys will need to be paired with the mobile in order to be able to be updated via CLIQ Connect mobile app. Pair a CLIQ Connect key with the mobile by first removing the battery from the key for 45 seconds. Then insert the key again and search for the key in CLIQ Connect app. You can pair several CLIQ Connect keys to the mobile if needed.

Ordering Information

Product Description	Part Number
ABLOY Protec CLIQ Connect Normal user key	NQ406B/[Profile]
ABLOY Protec CLIQ Connect Dynamic user key	NQ407B/[Profile]
ABLOY Protec2 CLIQ Connect Normal user key	TQ406B/[Profile]
ABLOY Protec2 CLIQ Connect Dynamic user key	TQ407B/[Profile]
ABLOY Protec CLIQ Connect Online Normal user key	NQ406C/[Profile]
ABLOY Protec CLIQ Connect Online Dynamic user key	NQ407C/[Profile]
ABLOY Protec2 CLIQ Connect Online Normal user key	TQ406C/[Profile]
ABLOY Protec2 CLIQ Connect Online Dynamic user key	TQ407C/[Profile]
ABLOY CLIQ Express CLIQ Connect user key	ABP2CECCUK

ABLOY® CLIQ Connect Normal and Dynamic User Keys

Technical Information

CLIQ Key Material: The key has a metal shaft and a plastic bow. The CLIQ electronics is located under the plastic cover.

Active / Passive Key: Active

Symmetrical / Asymmetrical Key

Symmetrical

CLIQ Key Indications: The key electronics contains a small buzzer and a LED on both sides of the key that provide the key holder with an audible and visual access indication.

1 short beep and green light

The key is granted access

3 short beeps and red flashing light

The key is denied access

3 long beeps and flashing light

The battery may be low or cold (try warming the key in your hand)

No beep and no light

The battery is empty

CLIQ Key stampings

Key identification stampings are made on the key. One of identifications is a globally unique number.

CLIQ key battery

The battery powers the electronics in the key as well as in the cylinder. The battery is located under a plastic cover.

Battery specifications:

3V lithium (type CR2450N).

Lifetime is about one year.

The battery must be replaced when the key starts to indicate low battery. It is possible to make around 50 key operations until the battery is empty once the low battery warning is given.

Speed of the electronic function

CLIQ cylinders can be operated 0.1 seconds after key insertion. A visual and audible indication is given to the key holder when the key can be turned.

Environmental restrictions for use

Use temperature: key -20°C ...+70°C

Use temperature: cylinder -30°C ...+70°C

Keying Platforms

ABLOY® PROTEC2 CLIQ (T)

ABLOY® PROTEC CLIQ (N)

ABLOY® CLIQ Express (CE)

ABLOY® CLIQ C-Keys

C-Keys are used when changing the access rights for locks and user keys. They cannot open any locks. They are also used when logging into CLIQ Web Manager and to retrieve audit trails from locks. There are no C-keys in a CLIQ Go system.

CLIQ Connect C-keys are Bluetooth enabled C-keys that can communicate directly via a smart phone app called CLIQ Connect. Hence no CLIQ Programming Device is needed to update the key.

Each CLIQ Web Manager system must have one Master C-key (not available as CLIQ Connect key) but can have several C-keys.

CLIQ Connect C-keys will need to be paired with the mobile in order to be able to be updated via CLIQ Connect mobile app. Pair a CLIQ Connect key with the mobile by first removing the battery from the key for 45 seconds. Then insert the key again and search for the key in CLIQ Connect app. You can pair several CLIQ Connect keys to the mobile if needed.



Ordering Information

Product Description	Part Number
ABLOY Protec CLIQ C-key	NQ403/[Profile]
ABLOY Protec CLIQ Connect C-key	NQ403B/[Profile]
ABLOY Protec2 CLIQ C-key	TQ403/[Profile]
ABLOY Protec2 CLIQ Connect C-key	TQ403B/[Profile]
ABLOY Protec CLIQ Master C-key	NQ403M/[Profile]
ABLOY Protec2 CLIQ Master C-key	TQ403M/[Profile]
ABLOY CLIQ Express C-key	ABP2CECK
ABLOY CLIQ Express CLIQ Connect C-key	ABP2CECCCK

ABLOY® CLIQ C-Keys

Technical Information

CLIQ Key Material: The key has a metal shaft and a plastic bow. The CLIQ electronics is located under the plastic cover.

Active / Passive Key: Active

Symmetrical / Asymmetrical Key
Symmetrical

CLIQ Key stampings

Key identification stampings are made on the key. One of identifications is a globally unique number.

CLIQ key battery

The battery powers the electronics in the key as well as in the cylinder. The battery is located under a plastic cover.

Battery specifications:

3V lithium (type CR2450N).
Lifetime is about ten years. CLIQ Connect C-keys will have a battery lifetime of about one year. The battery must be replaced when the key starts to indicate low battery.

Environmental restrictions for use

Use temperature: key -20°C...+70°C
Use temperature: cylinder -30°C...+70°C

Keying Platforms

ABLOY® PROTEC2 CLIQ (T)
ABLOY® PROTEC CLIQ (N)
ABLOY® CLIQ Express (CE)

CLIQ Software

CLIQ WEB MANAGER	136
CLIQ Go	138
CLIQ Express	139

ABLOY® Web Manager

CLIQ Web Manager is a full feature web based software for managing your ABLOY CLIQ system. CLIQ Web Manager provides easy, secure and flexible management of your CLIQ keys and cylinders.

CLIQ Web Manager is accessible via a web browser from anywhere in the world. Bulk updates and other advanced features makes changing the access rights quick and simple. The key holders can update their keys via network connected CLIQ Remote Programming devices placed on a wall or paired with a mobile phone.

All communication with CLIQ Web Manager is encrypted and a personal PIN code protected key, called C-key, as well as a certificate in the web browser is required to login.

CLIQ Web Manager with CLIQ Remote enables many of the tasks involved in the management of the CLIQ system to be done automatically. Access right changes, audit trails collection and key validity extensions are examples of such tasks. This often eliminates the need to change the access rights in the cylinders. Access rights changes are instead done in the key when the key holders update their keys.

Key Features

- Full feature software
- No limitation in terms of system size
- Multiple administrators with various access rights in the software
- Advanced features such as remote programming of keys, revalidation, domains, bulk operations and email notifications to key holders
- Comes in two versions – hosted or in-house installation
- Audit trails are stored in the keys as well as in the cylinders



With CLIQ Web Manger ABLOY CLIQ is a true one key solution where CLIQ keys are capable of operating both electromechanical and mechanical cylinders. CLIQ cylinders are installed in areas which require electronic features such as audit trails, time limited access and easy blocking of lost keys. Those areas could for instance be the perimeters, storerooms or server rooms while mechanical ABLOY cylinders are installed in the other areas.

See abloy.com.au for more information.

Ordering Information

Product Description	Part Number
ABLOY CLIQ Web Manager - Hosted by ASSA ABLOY	
ONE TIME SETUP FEE PER MKS	
1-50 CLIQ PRODUCTS	SP360/000000
51-200 CLIQ PRODUCTS	SP361/000000
201-500 CLIQ PRODUCTS	SP362/000000
501-2,000 CLIQ PRODUCTS	SP363/000000
GREATER THAN 2,000 CLIQ PRODUCTS	SP364/000000
ANNUAL HOSTING, SUPPORT AND MAINTENANCE FEE PER MKS	
1-50 CLIQ PRODUCTS	SP360/000003
51-200 CLIQ PRODUCTS	SP361/000003
201-500 CLIQ PRODUCTS	SP362/000003
501-2,000 CLIQ PRODUCTS	SP363/000003
GREATER THAN 2,000 CLIQ PRODUCTS	SP364/000003
ABLOY CLIQ Web Manager - In-house installation	
ONE TIME LICENCE FEE PER MKS	
1-50 CLIQ PRODUCTS	SP320/000000
51-200 CLIQ PRODUCTS	SP321/000000
201-500 CLIQ PRODUCTS	SP322/000000
501-2,000 CLIQ PRODUCTS	SP323/000000
GREATER THAN 2,000 CLIQ PRODUCTS	SP324/000000
ANNUAL SUPPORT AND MAINTENANCE FEE PER MKS	
1-50 CLIQ PRODUCTS	SP320/000001
51-200 CLIQ PRODUCTS	SP321/000001
201-500 CLIQ PRODUCTS	SP322/000001
501-2,000 CLIQ PRODUCTS	SP323/000001
GREATER THAN 2,000 CLIQ PRODUCTS	SP324/000001
ABLOY CLIQ Web Manager for CLIQ Express - Hosted by ASSA ABLOY	
ANNUAL HOSTING, SUPPORT AND MAINTENANCE FEE PER MKS	
1-50 CLIQ PRODUCTS	CWM1-50HFAB
51-200 CLIQ PRODUCTS	CWM51-200HFAB
201-500 CLIQ PRODUCTS	CWM201-500HFAB
501-2,000 CLIQ PRODUCTS	CWM501-2000HFAB
GREATER THAN 2,000 CLIQ PRODUCTS	CWM2001HFAB

ABLOY® CLIQ Go

CLIQ Go is a new and unique electronic access control solution for small to medium size systems. It allows end users to manage keys and access rights on the go via the CLIQ Go app. Access control has never been easier. Just download the app and activate your system. Hand out the keys to the key holders, define their access rights and program the keys. It is that simple. CLIQ Go is also available as a web site for easy access from a PC.

Key holders can update their keys using the CLIQ Connect app. Pair a CLIQ Connect Mobile PD to the phone or connect a Local Programming Device directly to your phone (Android only). Alternately install CLIQ Connect on your PC and connect the Local Programming Device to the PC and update the key.

CLIQ Connect Keys can be updated via mobile phone without the need for a programming device. CLIQ Connect Keys can communicate directly with a mobile phone via Bluetooth.

Key Features

- Change the access rights via the CLIQ Go app anytime, anywhere via your mobile phone
- All three levels of access rights; validity, time schedule and cylinder access can be managed via the mobile phone
- Key holders can easily update their keys using the CLIQ Connect mobile or PC app
- The keys can be programmed to operate cylinders but also to block lost keys and extract audit trails from cylinders
- Expanding the system is easy, just call your local locksmith. They can add additional keys and cylinders to your system and install them in the door. The keys and cylinders will appear in your CLIQ Go app straight away.

See abloy.com.au for more information.



Ordering Information

Product Description	Part Number
ABLOY CLIQ Go for CLIQ Express - Hosted by ASSA ABLOY	
ANNUAL HOSTING, SUPPORT AND MAINTENANCE FEE PER MKS	
1-20 CLIQ PRODUCTS	GO1/20AHFAB
21-50 CLIQ PRODUCTS	GO21/50AHFAB
51-100 CLIQ PRODUCTS	GO51/100AHFAB
101-200 CLIQ PRODUCTS	GO101/200AHFAB
GREATER THAN 200 CLIQ PRODUCTS	GO201AHFAB

ABLOY® CLIQ Express

CLIQ Express is an application used by locksmiths to create and extend CLIQ systems for end users. The idea with CLIQ Express is to make it fast and easy for the locksmiths to serve their new and existing CLIQ customers by being able to factory program CLIQ elements in their own shop.

CLIQ Express is intuitive to use and all keys and cylinders are delivered assembled, cut and stamped to the locksmiths which means faster turn-around time in the locksmith shop while no special tools are required. As an additional feature it is possible to program the CLIQ keys with cylinder access rights in CLIQ Express. That makes it easier for the end user to start using the system straight away since the access rights are already programmed to the keys. The end user can however change the pre-defined access rights via CLIQ Go or CLIQ Web Manager as required. Keys and cylinders can also be named for easy identification.

Both CLIQ Go and CLIQ Web Manager systems* can be created in CLIQ Express.

Key Features

- Create CLIQ systems and extend existing ones
- Allocate a name and other information to the keys and cylinders
- Create CLIQ Go or CLIQ Web Manager systems*
- Define and program access rights to the keys
- Upload the system to the cloud
- Print the CLIQ Go activation code for the end user
- Setup multiple CLIQ Express users with various access rights within the software

* Restrictions apply

See abloy.com.au for more information.



CLIQ Accessories

STANDARD ACCESSORIES

PDA500	ABLOY® CLIQ Local Programming Device	141
--------	--------------------------------------	-----

CLIQ REMOTE ACCESSORIES

PDA100	ABLOY® CLIQ Wall PD	142
--------	---------------------	-----

PDA120	ABLOY® CLIQ Outdoor Wall PD	143
--------	-----------------------------	-----

PDA200	ABLOY® CLIQ Mobile PD	144
--------	-----------------------	-----

	ABLOY® CLIQ Keyway Protected Cylinders	145
--	--	-----

ABLOY® CLIQ Local Programming Device

ABLOY CLIQ Local Programming Device facilitates the programming of CLIQ keys. It connects directly to a computer via USB and is used as a conduit between the keys and software.

It can also be connected to an Android phone via a USB OTG cable.

Key Features Local PD Device:

- No data storage
- USB connection



Ordering Information

Product Description	Part Number
CLIQ Local Programming Device	PDA500

ABLOY® CLIQ Wall PD

ABLOY CLIQ Wall PDs facilitate the remote programming of CLIQ keys. Indications on the devices provide the key holder with useful information and do for instance give a warning if the battery is low.

Key Features Wall PD:

- A key programming device placed on a wall
- Locking system specific
- Transferring data between Remote task database and CLIQ key
- No data storage
- IP 42 rated
- RJ 45/Ethernet connection to LAN or Internet
- Power through 12-24 voltage adapter or PoE (Power over Ethernet)
- DHCP or Static IP

Wall PD with a CLIQ key reader (PDA110) is a solution for customers who want to be able to update their CLIQ keys outdoors. While the Wall PD unit is installed on the inside of a wall, a CLIQ key reader can be installed on the outside and then connected to the Wall PD via a cable. The key holders will be able to update their key in the CLIQ key reader without having access to the Wall PD.

The keys can however be updated in the Wall PD unit as well. Compared to the outdoor Wall PD (PDA120) this solution will only provide limited indications to the key holder if the key is updated in the CLIQ key reader.



Ordering Information

Product Description	Part Number
CLIQ Wall PD	PDA100
CLIQ Wall PD with AC/DC power adaptor	PDA100/ACDC/KIT
CLIQ Wall PD with CLIQ key reader	PDA110
CLIQ Wall PD with CLIQ key reader and AC/DC power adaptor	PDA110/ACDC/KIT

ABLOY® CLIQ Outdoor Wall PD

ABLOY CLIQ Outdoor Wall PDs facilitate the remote programming of CLIQ keys. Indications on the devices provide the key holder with useful information and do for instance give a warning if the battery is low.

Key Features Outdoor Wall PD:

- A key programming device placed on a wall
- Locking system specific
- Transferring data between Remote task database and CLIQ key
- No data storage
- IP 65 rated
- RJ 45/Ethernet connection to LAN or Internet
- Power through 12-24 voltage adapter or PoE (Power over Ethernet)
- DHCP or Static IP

The Outdoor Wall PD is a solution for customers who want to be able to update their CLIQ keys outdoors. The Outdoor Wall PPD is IK9/IP65-certified. The display has been modified compared to the normal Wall PD to ensure that the visual indications can be seen even though the Outdoor Wall PD is exposed to direct sunlight.



Ordering Information

Product Description	Part Number
CLIQ Outdoor Wall PD	PDA120
CLIQ Outdoor Wall PD with AC/DC power adaptor	PDA120/ACDC/KIT

ABLOY® CLIQ Mobile PD

ABLOY CLIQ Mobile PDs facilitate the remote programming of CLIQ keys. Indications on the device provide the key holder with useful information and do for instance give a warning if the battery is low.

Key Features Mobile PDs:

- A handheld key programming device that connects to the server using your mobile phone's Internet connection
- Connects to the mobile phone via Bluetooth or USB cable
- Transferring data between Remote task database and CLIQ key
- No data storage
- Powered by 4 x AAA batteries

CLIQ Connect Mobile Programming Device looks very similar to the CLIQ Mobile Programming Device. The only visual difference between the devices are the colour of the USB connection cover which is blue for CLIQ Connect Mobile Programming Devices and black for CLIQ Mobile Programming Devices.

The technical differences between the two types of Mobile Programming Device are:

CLIQ Connect Mobile Programming Device:

- Is not system specific and doesn't have a marking
- Can be used in both CLIQ Web Manager and CLIQ Go systems
- Does not require any configuration to work
- Has to be used in conjunction with CLIQ Connect mobile app
- Supports PIN code validation

CLIQ Mobile Programming Device:

- Is system specific and does have a unique marking
- Can only be used in CLIQ Web Manager systems
- Requires configuration in order to work



- Does not require CLIQ Connect mobile app. It does however require that the mobile phone is setup as a mobile hotspot with Bluetooth sharing
- Supports offline updates (CLIQ keys can have their validity extended even though the mobile phone has no network coverage)

CLIQ Connect Mobile Programming Device works both with CLIQ Go mobile app and CLIQ Connect mobile app.

The CLIQ Connect Mobile Programming Device can be used instead of, or in conjunction with, the Local Programming Device to update keys in a CLIQ Go system. For CLIQ Web Manager systems it can be used instead of, or in conjunction with, Remote PDs (Wall or Mobile Programming Devices) to update keys.

CLIQ Connect Mobile Programming Device is intended for key holders to easily be able to update their CLIQ keys. The only thing the key holders can do with the CLIQ Connect Mobile Programming Device is to execute the pending access rights changes that the CLIQ Web Manager or CLIQ Go administrator has initiated. Hence there is no risk in giving a key holder a CLIQ Connect Mobile Programming Device.

Ordering Information

Product Description	Part Number
CLIQ Mobile PD with Bluetooth and USB	PDA200
CLIQ Connect Mobile PD	PDA200CC

ABLOY® CLIQ Keyway Protected Cylinders

ABLOY offers a range of CLIQ cylinders with additional protection against dust and water. The keyway protector protrudes approximately 3mm from the cylinder.



ABLOY® Ordering Information

For all products exchange # for keying platform required.

“T” = PROTEC² and PROTEC² CLIQ

“N” = PROTEC and PROTEC CLIQ

“D” = DISCKLOCK PRO

“B” = SENTRY

“C” = CLASSIC

“CE” = CLIQ EXPRESS

To order CLIQ cylinders replace “CY” with “CYL” in the part numbers. To order CLIQ cylinders with a keyway protector or replace “CY” with “CYLP” in the part numbers. To order CLIQ padlocks replace “PL” with “PLLW” in the part numbers. To order CLIQ cam locks replace “CL” with “CLL” in the part numbers. CLIQ cylinders and padlocks are only sold assembled.

CLASSIC products are available keyed to code or Keyed to Differ (KD) formats only.

ABLOY 8 and 10mm shackle padlocks are available assembled with attachment chains.

There are three versions;

“/A” 300mm length galvanised 6mm link chain

“/B” 220mm length standard chain 3mm link chain

“/G” 600mm length galvanised 6mm link chain

To order padlocks assembled with chain add /A or /B or /G to the end of the assembled part number.

Abloy is one of the leading manufacturers of locks, locking systems and architectural hardware and the world's leading developer of products in the field of electromechanical locking technology.



ASSA ABLOY is the global leader in door opening solutions, dedicated to satisfying end-user needs for security, safety and convenience. The Group has 29,000 employees and annual sales of over EUR 3.5 billion.

Head Office

ASSA ABLOY Opening Solutions Australia
235 Huntingdale Road, Oakleigh Victoria,
3166 Australia

1300 LOCK UP (1300 562 587)
customerservice.au@assaabloy.com
assaabloyopeningsolutions.com.au

